



Chipsmall Limited consists of a professional team with an average of over 10 year of expertise in the distribution of electronic components. Based in Hongkong, we have already established firm and mutual-benefit business relationships with customers from,Europe,America and south Asia,supplying obsolete and hard-to-find components to meet their specific needs.

With the principle of “Quality Parts,Customers Priority,Honest Operation,and Considerate Service”,our business mainly focus on the distribution of electronic components. Line cards we deal with include Microchip,ALPS,ROHM,Xilinx,Pulse,ON,Everlight and Freescale. Main products comprise IC,Modules,Potentiometer,IC Socket,Relay,Connector.Our parts cover such applications as commercial,industrial, and automotives areas.

We are looking forward to setting up business relationship with you and hope to provide you with the best service and solution. Let us make a better world for our industry!



Contact us

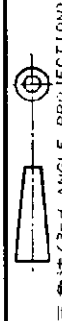
Tel: +86-755-8981 8866 Fax: +86-755-8427 6832

Email & Skype: info@chipsmall.com Web: www.chipsmall.com

Address: A1208, Overseas Decoration Building, #122 Zhenhua RD., Futian, Shenzhen, China

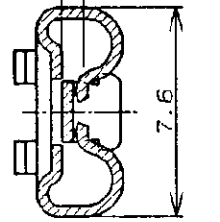


NUMBER 179975



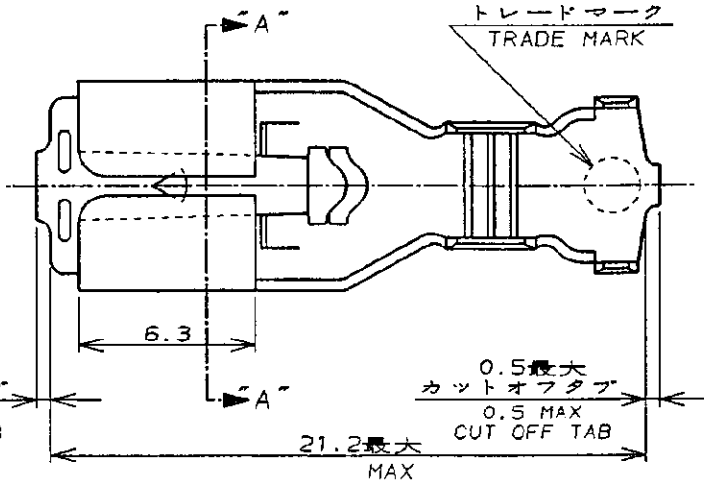
METRIC

0.8厚タブと嵌合
MATE WITH 0.8t TAB



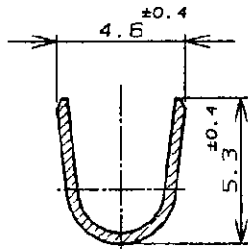
断面 "A"- "A"
SECT

0.5最大
カットオフタブ
0.5 MAX
CUT OFF TAB

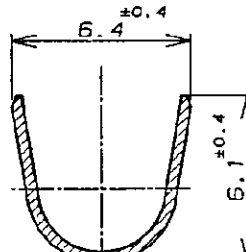


0.5最大
カットオフタブ
0.5 MAX
CUT OFF TAB

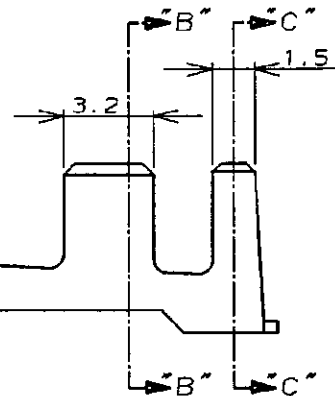
トレードマーク
TRADE MARK



断面 "B"- "B"
SECT



断面 "C"- "C"
SECT



注記:

- 1. 製品規格 : 108-5437
- 2. 取付通用規格 : 114-5195
- 3. 通用ハウジング : 179970-1
- 4. 取扱説明書 : 411-5691

NOTES:

- 1. PRODUCT SPEC : 108-5437
- 2. APPLICATION SPEC : 114-5195
- 3. APPLICABLE HOUSING P/N : 179970-1
- 4. INSTRUCTION SHEET : 411-5691

単位: 概 寸 DIMENSIONS IN MM. DO NOT SCALE PRINT

Copyright ©1994 AMP (Japan), LTD. ALL RIGHTS RESERVED.		Copyright ©1994 Tyco Electronics Corporation Kawasaki, Japan	
パラ端子型番 (L/P No.)		錫めっき済黄銅 (PRE TINNED BRASS)	179975-1
材料 (MATERIAL)		型番 (P/N)	
一般公差 (GENERAL TOLERANCE)		絶縁外径 (INSULATION DIA.)	3.0-4.3 mmφ
10mm以下 ±0.2		材料 (MATERIAL)	
10mm以上 30mm以下 ±0.25		表参照 (SEE TABLE)	
30mm以上 100mm以下 ±0.3		仕上 (FINISH)	
角 度 : ±3°		---	
尺度 (SCALE)	LOC	番号 (No.)	REV. SHEET
4-1	A J	179975	C 1 OF 1
名称 (NAME)			
"250" SERIES POSITIVE LOCK-EX-II REC.			
"250" シリーズ・ポジティブロック-EX-II (リ) セブタクル			

DR.	30. JUN. '94	DE.	4. JUL. '94
N. NAGASHIMA		M. SUZUKI	
CHK.	4. JUL. '94	APP.	4. JUL. '94
M. SHINDO		Y. KASHIWA	
LTR	変更 (REVISION RECORD)	DR	CHK DATE