



Chipsmall Limited consists of a professional team with an average of over 10 year of expertise in the distribution of electronic components. Based in Hongkong, we have already established firm and mutual-benefit business relationships with customers from,Europe,America and south Asia,supplying obsolete and hard-to-find components to meet their specific needs.

With the principle of "Quality Parts,Customers Priority,Honest Operation,and Considerate Service",our business mainly focus on the distribution of electronic components. Line cards we deal with include Microchip,ALPS,ROHM,Xilinx,Pulse,ON,Everlight and Freescale. Main products comprise IC,Modules,Potentiometer,IC Socket,Relay,Connector.Our parts cover such applications as commercial,industrial, and automotives areas.

We are looking forward to setting up business relationship with you and hope to provide you with the best service and solution. Let us make a better world for our industry!



## Contact us

Tel: +86-755-8981 8866 Fax: +86-755-8427 6832

Email & Skype: info@chipsmall.com Web: www.chipsmall.com

Address: A1208, Overseas Decoration Building, #122 Zhenhua RD., Futian, Shenzhen, China



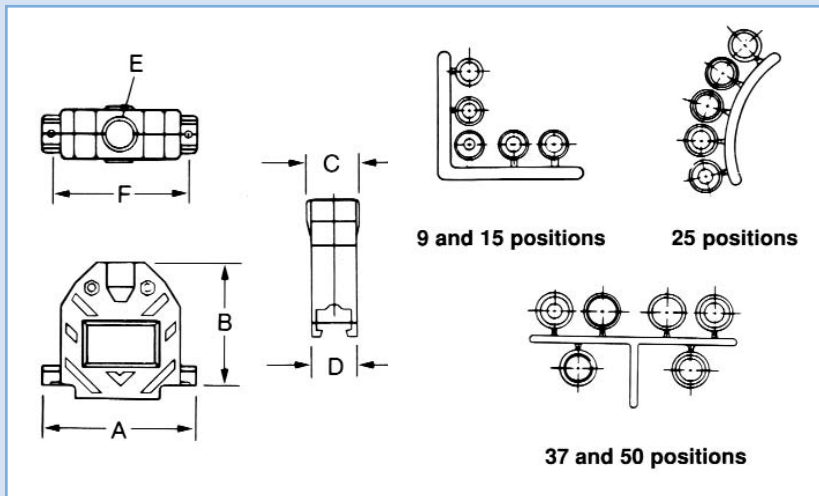
## Plated Plastic Backshell

### SPECIFICATIONS:

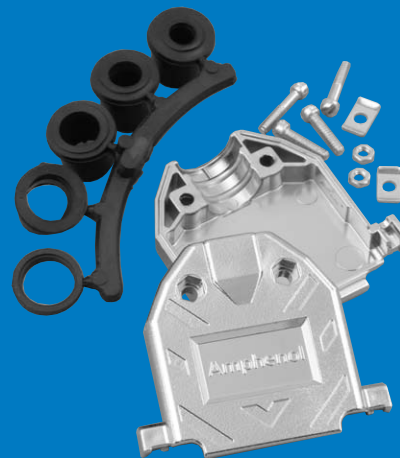
**Housing Material:** ABS Polymer  
**Plating:** Nickel over copper  
**Grommet Material:** PVC (UL 94 VO)  
**Mounting Hardware:** Steel, clear zinc finish  
 \* All materials are RoHS compliant

### ASSEMBLY INSTRUCTIONS

1. Select the tightest insert that will fit over the cable and thread the cable through it, placing the end with the smaller O.D. (the end without the washer) towards the connector.
2. Cut the jacket, fold the shielding back over the outside of the insert and cut it just short of the washer.
3. Install jackscrews and connector.
4. Place the washer in the outermost depression in the exit area of the hood and screw the cover closed.



## ACCESSORIES



Amphenol's plated plastic backshell accommodates most standard and high-density D-Subminiature connectors and is appropriate for cable assemblies requiring compliance to FCC 20780. This version is highly durable and provides EMI/RFI protection. The rubber grommet compression insert forces the cable's shielding against the inside of the cable exit area, assuring shielding.

### DIMENSIONS AND ORDERING INFORMATION

| Shell Size | Standard # of Contacts | Hi-Density # of Contacts | Part #     | Dimensions       |                  |                  |                  |                  |                  | Cable Diameter Range |                  |
|------------|------------------------|--------------------------|------------|------------------|------------------|------------------|------------------|------------------|------------------|----------------------|------------------|
|            |                        |                          |            | A                | B                | C                | D                | E                | F                | Minimum              | Maximum          |
| E          | 9                      | 15                       | 17E-1724-2 | 1.217<br>(30.91) | 1.547<br>(39.29) | 0.640<br>(16.26) | 0.640<br>(16.26) | 0.400<br>(10.16) | 0.984<br>(24.99) | 0.210<br>(5.33)      | 0.320<br>(8.13)  |
| A          | 15                     | 26                       | 17E-1725-2 | 1.545<br>(39.24) | 1.505<br>(38.23) | 0.640<br>(16.26) | 0.640<br>(16.26) | 0.400<br>(10.16) | 1.312<br>(33.32) | 0.210<br>(5.33)      | 0.320<br>(8.13)  |
| B          | 25                     | 44                       | 17E-1726-2 | 2.000<br>(50.8)  | 1.655<br>(42.04) | 0.710<br>(18.03) | 0.640<br>(16.26) | 0.522<br>(13.26) | 1.857<br>(47.17) | 0.230<br>(5.84)      | 0.450<br>(11.43) |
| C          | 37                     | 62                       | 17E-1727-2 | 2.730<br>(69.34) | 1.830<br>(46.48) | 0.906<br>(23.01) | 0.640<br>(16.26) | 0.726<br>(18.44) | 2.500<br>(63.50) | 0.350<br>(8.89)      | 0.650<br>(16.51) |
| D          | 50                     | 78                       | 17E-1728-2 | 2.645<br>(67.18) | 1.855<br>(47.12) | 0.940<br>(23.88) | 0.440<br>(11.18) | 0.726<br>(18.44) | 2.406<br>(61.11) | 0.350<br>(8.89)      | 0.650<br>(16.51) |

INCHES (MM)