



Chipsmall Limited consists of a professional team with an average of over 10 year of expertise in the distribution of electronic components. Based in Hongkong, we have already established firm and mutual-benefit business relationships with customers from,Europe,America and south Asia,supplying obsolete and hard-to-find components to meet their specific needs.

With the principle of “Quality Parts,Customers Priority,Honest Operation,and Considerate Service”,our business mainly focus on the distribution of electronic components. Line cards we deal with include Microchip,ALPS,ROHM,Xilinx,Pulse,ON,Everlight and Freescale. Main products comprise IC,Modules,Potentiometer,IC Socket,Relay,Connector.Our parts cover such applications as commercial,industrial, and automotives areas.

We are looking forward to setting up business relationship with you and hope to provide you with the best service and solution. Let us make a better world for our industry!



Contact us

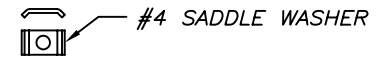
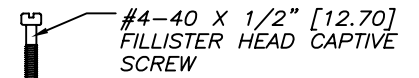
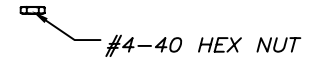
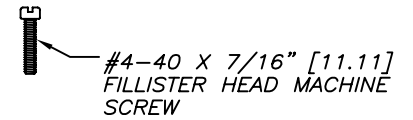
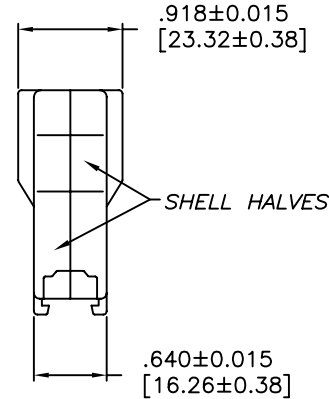
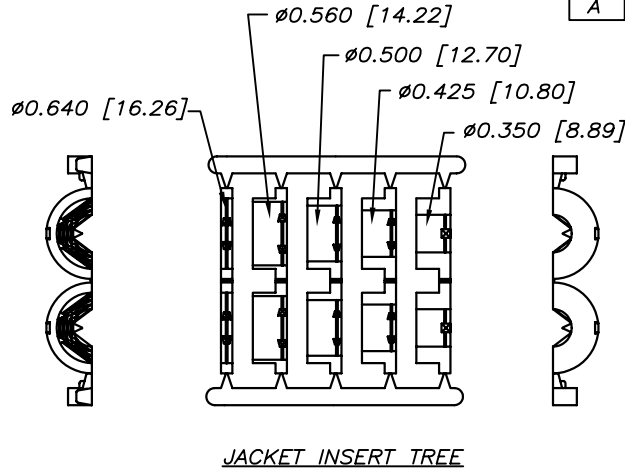
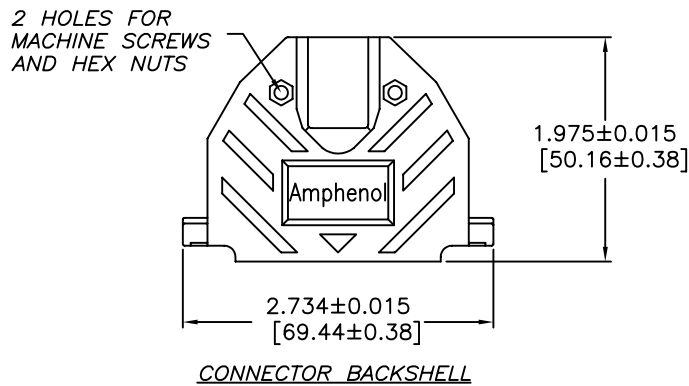
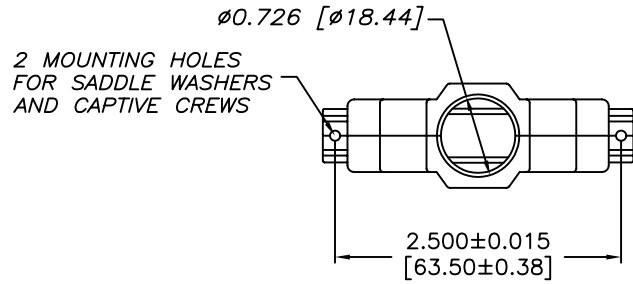
Tel: +86-755-8981 8866 Fax: +86-755-8427 6832

Email & Skype: info@chipsmall.com Web: www.chipsmall.com

Address: A1208, Overseas Decoration Building, #122 Zhenhua RD., Futian, Shenzhen, China



REVISIONS			
REV	ECN, ERN NO.	DATE	APPRD.
A	PRODUCT DRAWING (EAR 13448)	JAN15/09	L.C.



NOTES:

- 1) EACH BACKSHELL KIT CONTAINS 2 SHELL HALVES, 1 JACKET INSERT TREE AND 2 OF EACH HARDWARE ITEM SHOWN.
- 2) BACKSHELL IS SUITABLE FOR SUBMINIATURE D CONNECTOR, C SIZE SHELL (37 POSITION STANDARD CONTACTS OR 62 POSITION HIGH DENSITY CONTACTS).
- 3) JACKET INSERTS ARE DESIGNED FOR A CABLE DIAMETER RANGE OF .350 [8.89] TO .640 [16.26]. REMOVE THE SUITABLE INSERT FROM THE TREE AND INSTALL IT INTO THE CABLE CLAMP PORTION OF THE BACKSHELL.
- 4) MATERIALS - ALL MATERIALS ARE RoHS COMPLIANT
SHELL - THERMOPLASTIC, UL FLAMMABILITY RATING UL94V-0, TOLERANCE: ±0.015 [0.381]
INSERT TREE - POLYPROPYLENE HOMOPOLYMER, TOLERANCE: ±0.010 [0.254]
HARDWARE - STEEL, ZINC PLATED, TRIVALENT CHROMATE FINISH



THIS DOCUMENT CONTAINS PROPRIETARY INFORMATION AND SUCH INFORMATION MAY NOT BE DISCLOSED TO OTHERS FOR ANY PURPOSE OR USED FOR MANUFACTURING PURPOSES WITHOUT WRITTEN PERMISSION FROM AMPHENOL CANADA CORP.

DRAWN DAVIE.W	DATE JAN14/09	Amphenol Canada Corp.		
DESIGNED				
CHECKED L. CHAN	DATE JAN15/09	17E SERIES D-SUB CONNECTOR BACKSHELL, C SIZE SHELL (37 STD OR 62 HD CONTACTS) 2 PIECE, PLASTIC, STRAIGHT EXIT, #4-40 THREAD, RoHS COMPLIANT		
I. E. APPRD.				
Q. A. APPRD.				
DWG. APPRD.				
ENG. REL. NO. EAR 13448	DWG C	DRAWING NO. P-17E-1727-1	REV. A	
REF.				
DIMENSIONS ARE IN INCHES [mm]	CODE ID. NO. 03554	SCALE 1/1	WT. -----	SURF. -----
				SHEET 1 OF 1