



Chipsmall Limited consists of a professional team with an average of over 10 year of expertise in the distribution of electronic components. Based in Hongkong, we have already established firm and mutual-benefit business relationships with customers from,Europe,America and south Asia,supplying obsolete and hard-to-find components to meet their specific needs.

With the principle of “Quality Parts,Customers Priority,Honest Operation,and Considerate Service”,our business mainly focus on the distribution of electronic components. Line cards we deal with include Microchip,ALPS,ROHM,Xilinx,Pulse,ON,Everlight and Freescale. Main products comprise IC,Modules,Potentiometer,IC Socket,Relay,Connector.Our parts cover such applications as commercial,industrial, and automotives areas.

We are looking forward to setting up business relationship with you and hope to provide you with the best service and solution. Let us make a better world for our industry!



## Contact us

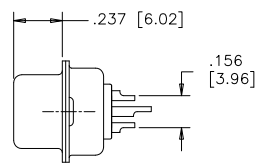
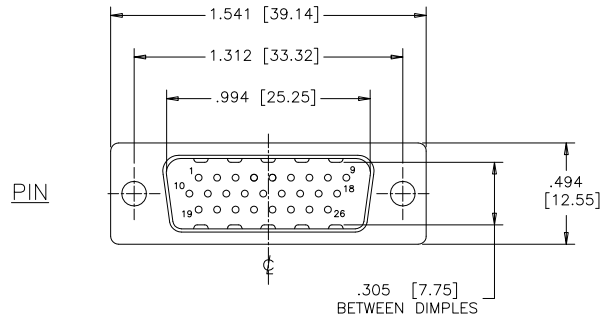
Tel: +86-755-8981 8866 Fax: +86-755-8427 6832

Email & Skype: info@chipsmall.com Web: www.chipsmall.com

Address: A1208, Overseas Decoration Building, #122 Zhenhua RD., Futian, Shenzhen, China



REVISIONS			
REV	ECN, ERN NO.	DATE	APPRD.
B	UPDATED AS PER EAR 14080	MAY25/12	S.M.
C	PRODUCT DWG PER EAR 14367	APR30/15	K.L.



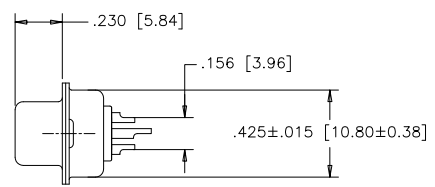
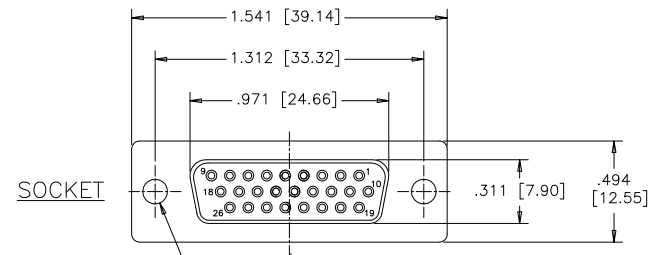
**ORDERING CODE:**

PART NUMBER: 1 7 E H D - 0 2 6 P A M - 1 0 0

SERIES \_\_\_\_\_  
 NUMBER OF CONTACTS 026  
 STYLE \_\_\_\_\_  
 P=PIN  
 S=SOCKET

**TERMINATION-MOUNTING OPTIONS**  
 000= SOLDER CUP, .120 [3.05] DIA. THROUGH HOLE  
 100= SOLDER CUP, #4-40 UNC THREADED HOLES  
 200= SOLDER CUP, #4-40 UNC HEX JACK SOCKETS INSTALLED

**CONTACT PLATING OPTIONS FOR ENGAGEMENT AREA**  
 AA= 3μ" [0.08 MICRONS] GOLD FLASH  
 CH= 15μ" [0.38 MICRONS] GOLD  
 AM= 30μ" [0.76 MICRONS] GOLD



**SPECIFICATIONS:**

**MATERIALS:** ALL MATERIALS ARE RoHS COMPLIANT

**SHELL:** STEEL, TIN PLATED

**INSERTS:** HIGH TEMPERATURE RESISTANT NYLON, GLASS REINFORCED, UL FLAMMABILITY RATING 94V-0, COLOUR: BLACK

**CONTACTS:** COPPER ALLOY, GOLD PLATING (SEE ORDERING CODE) OVER 50u" [1.27 MICRONS] NICKEL ON ENGAGEMENT AREA WITH 100u" [2.54 MICRONS] MIN. MATTE TIN ON CONTACT TERMINALS.

TERMINATION-MTG. OPTION 000  
 SOLDER CUP,  
 .120 [3.05] DIA.  
 THROUGH HOLE (2 PLACES)

**ELECTRICAL DATA:**

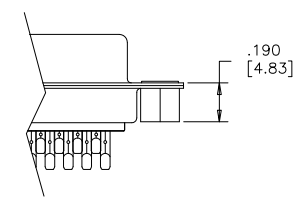
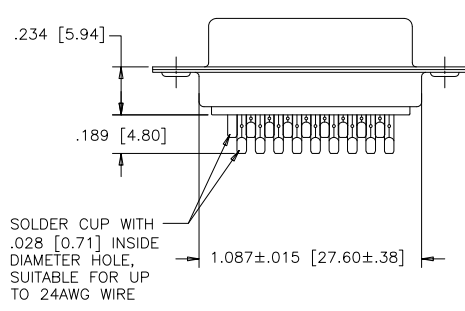
**CURRENT RATING:** 3 AMP

**CONTACT RESISTANCE:** 15 MILLIOHMS MAX.

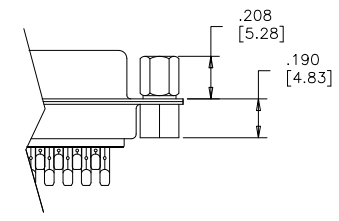
**INSULATION RESISTANCE:** 3000 MEGOHMS MIN.

**DIELECTRIC WITHSTANDING VOLTAGE:** 1000 VAC rms

**OPERATING TEMPERATURE:** -55°C TO +105°C



TERMINATION-MTG OPTION 100  
 SOLDER CUP,  
 #4-40 UNC THREADED  
 THROUGH HOLES



TERMINATION-MTG OPTION 200  
 SOLDER CUP,  
 #4-40 UNC HEX  
 JACK SOCKETS INSTALLED

THIS DOCUMENT CONTAINS PROPRIETARY INFORMATION AND SUCH INFORMATION MAY NOT BE DISCLOSED TO OTHERS FOR ANY PURPOSE OR USED FOR MANUFACTURING PURPOSES WITHOUT WRITTEN PERMISSION FROM AMPHENOL CANADA CORP.



DRAWN	J.LEE	DATE	OCT03/06
DESIGNED			
CHECKED	K.LAMBIE	DATE	OCT03/06
I. E. APPRD.			
Q. A. APPRD.			
DWG. APPRD.			
ENG. REL. NO.		DWG	DRAWING NO.
REF.	EAR 12956	C	P-17EHD-026XXX-X00
DIMENSIONS ARE IN	CODE ID. NO.	SCALE	2/1
INCHES	03554	WT.	-----

**Amphenol Canada Corp.**

TITLE 17EHD SERIES HIGH DENSITY D-SUB CONNECTOR, 26 SIZE, SOLDER CUP, PLATING & MOUNTING OPTIONS, RoHS COMPLIANT

REV.	C	SHEET	1 OF 1
------	---	-------	--------