



Chipsmall Limited consists of a professional team with an average of over 10 year of expertise in the distribution of electronic components. Based in Hongkong, we have already established firm and mutual-benefit business relationships with customers from,Europe,America and south Asia,supplying obsolete and hard-to-find components to meet their specific needs.

With the principle of "Quality Parts,Customers Priority,Honest Operation,and Considerate Service",our business mainly focus on the distribution of electronic components. Line cards we deal with include Microchip,ALPS,ROHM,Xilinx,Pulse,ON,Everlight and Freescale. Main products comprise IC,Modules,Potentiometer,IC Socket,Relay,Connector.Our parts cover such applications as commercial,industrial, and automotives areas.

We are looking forward to setting up business relationship with you and hope to provide you with the best service and solution. Let us make a better world for our industry!



Contact us

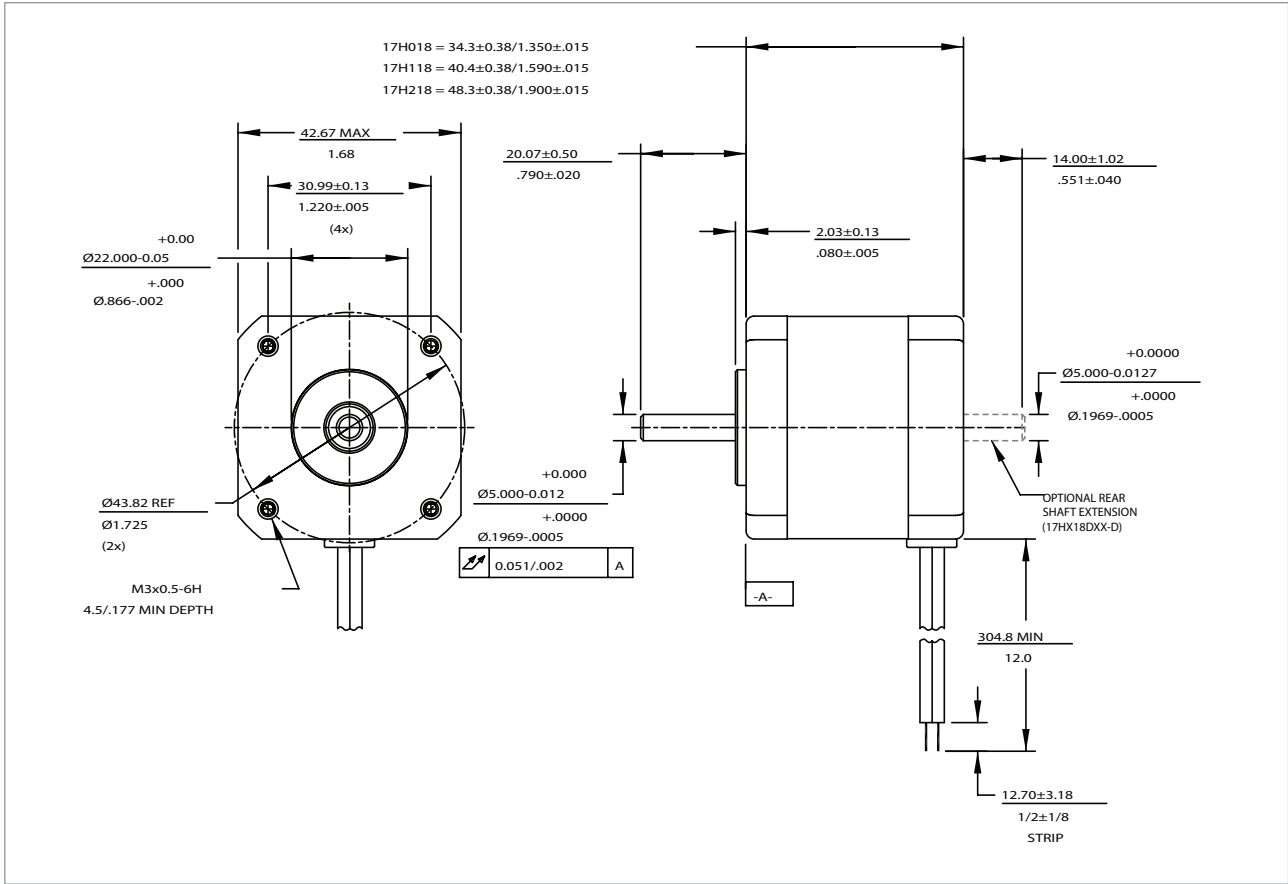
Tel: +86-755-8981 8866 Fax: +86-755-8427 6832

Email & Skype: info@chipsmall.com Web: www.chipsmall.com

Address: A1208, Overseas Decoration Building, #122 Zhenhua RD., Futian, Shenzhen, China



17HX18D



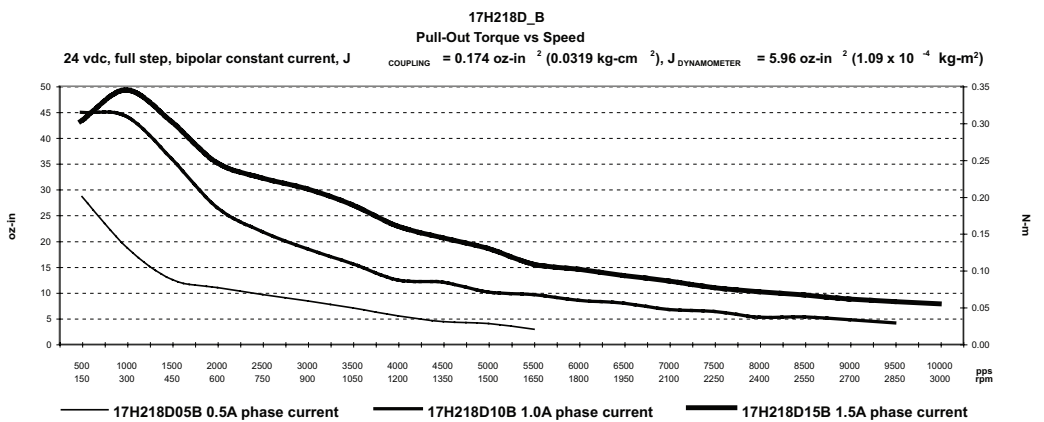
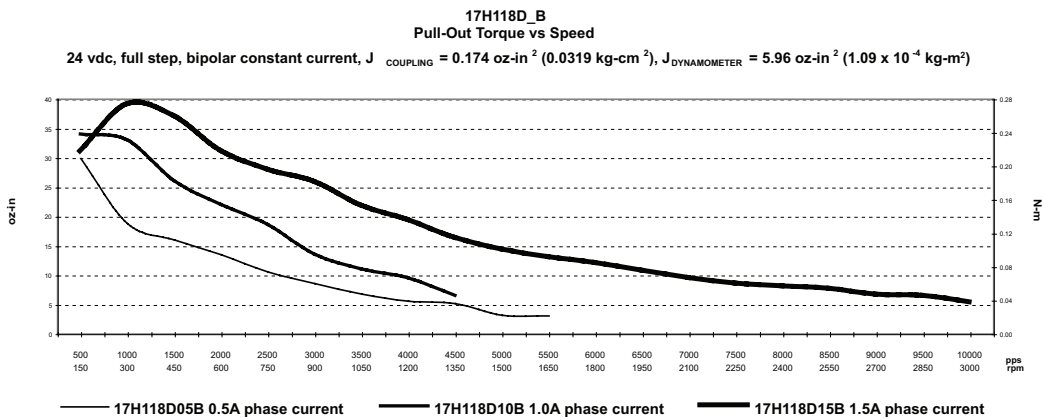
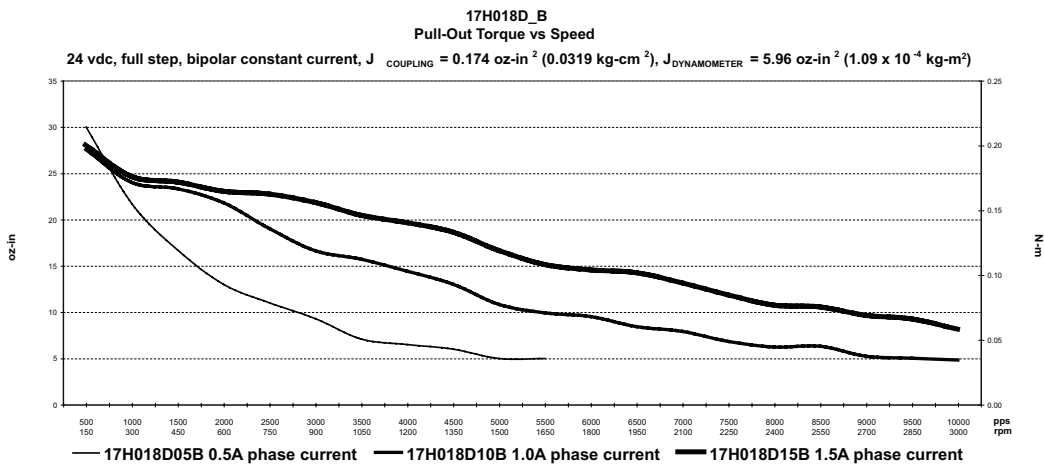
Motor Part Number			17HX18D05B	17HX18D10B	17HX18D15B
			17HX18D05B-D	17HX18D10B-D	17HX18D15B-D
Resistance per phase, ± 10%	Short Stack	ohms	13.28	3.32	1.47
	1 Stack	ohms	16.48	4.12	1.83
	2 Stack	ohms	17.96	4.49	2.00
Inductance per phase, typ	Short Stack	mH	17.70	3.80	1.60
	1 Stack	mH	20.20	6.50	2.85
	2 Stack	mH	26.70	6.50	3.20
Rated current per phase *		amps	0.5	1.0	1.5
Holding torque, typical *	Short Stack	oz-in / Nm		30 / 0.21	
	1 Stack	oz-in / Nm		51 / 0.36	
	2 Stack	oz-in / Nm		65 / 0.46	
Thermal resistance	Short Stack	°C/watt		6.21	
	1 Stack	°C/watt		5.40	
	2 Stack	°C/watt		4.71	
Detent torque, typical	Short Stack	oz-in / Nm		1.6 / 0.011	
	1 Stack	oz-in / Nm		2.5 / 0.017	
	2 Stack	oz-in / Nm		3.2 / 0.023	
Rotor moment of inertia	Short Stack	oz-in-s ² / kg-cm ²		.00051 / 0.04	
	1 Stack	oz-in-s ² / kg-cm ²		.00075 / 0.05	
	2 Stack	oz-in-s ² / kg-cm ²		.00106 / 0.07	
Step angle, ± 5% *		degrees		1.8	
Steps per revolution *				200	
Ambient temperature range					
Operating		°C		-20 ~ +40	
Storage		°C		-40 ~ +85	
Bearing type				Ball bearing	
Insulation resistance at 500vdc		Mohms		100 megohms	
Dielectric withstanding voltage		vac		1200 for 1 second	
Weight	Short Stack	lb / kg		0.45 / 0.20	
	1 Stack	lb / kg		0.57 / 0.26	
	2 Stack	lb / kg		0.76 / 0.34	
Shaft load ratings, max at 1500 rpm					
Radial		lb / kg		15 / 6.8 (at shaft center)	
Axial		lb / kg		6 / 2.7 (Push)	
Axial		lb / kg		15 / 6.8 (Pull)	
Leadwires				AWG 26 UL 3266	
Temperature class, max				B (130°C)	
RoHS				COMPLIANT	

ALL MOTOR DATA VALUES AT 20°C UNLESS OTHERWISE SPECIFIED
* ENERGISE AT RATED CURRENT, 2 PHASE ON

17HX18D (Contd..)

Motor Part Number			17HX18D05U	17HX18D10U	17HX18D15U
			17HX18D05U-D	17HX18D10U-D	17HX18D15U-D
Resistance per phase, ± 10%	Short Stack	ohms	13.28	3.32	1.47
	1 Stack	ohms	16.48	4.12	1.83
	2 Stack	ohms	17.96	4.49	2.00
Inductance per phase, typ	Short Stack	mH	6.05	1.55	0.84
	1 Stack	mH	9.65	2.85	1.15
	2 Stack	mH	11.30	3.20	1.55
Rated current per phase *		amps	0.5	1.0	1.5
Holding torque, typical *	Short Stack	oz-in / Nm		21 / 0.15	
	1 Stack	oz-in / Nm		38 / 0.27	
	2 Stack	oz-in / Nm		47 / 0.33	
Thermal resistance	Short Stack	°C/watt		6.21	
	1 Stack	°C/watt		5.40	
	2 Stack	°C/watt		4.71	
Detent torque, typical	Short Stack	oz-in / Nm		1.6 / 0.011	
	1 Stack	oz-in / Nm		2.5 / 0.017	
	2 Stack	oz-in / Nm		3.2 / 0.023	
Rotor moment of inertia	Short Stack	oz-in-s ² / kg-cm ²		.00051 / 0.04	
	1 Stack	oz-in-s ² / kg-cm ²		.00075 / 0.05	
	2 Stack	oz-in-s ² / kg-cm ²		.00106 / 0.07	
Step angle, ± 5% *		degrees		1.8	
Steps per revolution *				200	
Ambient temperature range					
Operating		°C		-20 ~ +40	
Storage		°C		-40 ~ +85	
Bearing type				Ball bearing	
Insulation resisance at 500vdc		Mohms		100 megohms	
Dielectric withstanding voltage		vac		1200 for 1 second	
Weight	Short Stack	lb / kg		0.45 / 0.20	
	1 Stack	lb / kg		0.57 / 0.26	
	2 Stack	lb / kg		0.76 / 0.34	
Shaft load ratings, max at 1500 rpm					
Radial		lb / kg		15 / 6.8 (at shaft center)	
Axial		lb / kg		6 / 2.7 (Push)	
Axial		lb / kg		15 / 6.8 (Pull)	
Leadwires				AWG 26 UL 3266	
Temperature class, max				B (130°C)	
RoHS				COMPLIANT	

ALL MOTOR DATA VALUES AT 20°C UNLESS OTHERWISE SPECIFIED
 * ENERGISE AT RATED CURRENT, 2 PHASE ON



Stepper

