



Chipsmall Limited consists of a professional team with an average of over 10 year of expertise in the distribution of electronic components. Based in Hongkong, we have already established firm and mutual-benefit business relationships with customers from,Europe,America and south Asia,supplying obsolete and hard-to-find components to meet their specific needs.

With the principle of “Quality Parts,Customers Priority,Honest Operation,and Considerate Service”,our business mainly focus on the distribution of electronic components. Line cards we deal with include Microchip,ALPS,ROHM,Xilinx,Pulse,ON,Everlight and Freescale. Main products comprise IC,Modules,Potentiometer,IC Socket,Relay,Connector.Our parts cover such applications as commercial,industrial, and automotives areas.

We are looking forward to setting up business relationship with you and hope to provide you with the best service and solution. Let us make a better world for our industry!



Contact us

Tel: +86-755-8981 8866 Fax: +86-755-8427 6832

Email & Skype: info@chipsmall.com Web: www.chipsmall.com

Address: A1208, Overseas Decoration Building, #122 Zhenhua RD., Futian, Shenzhen, China

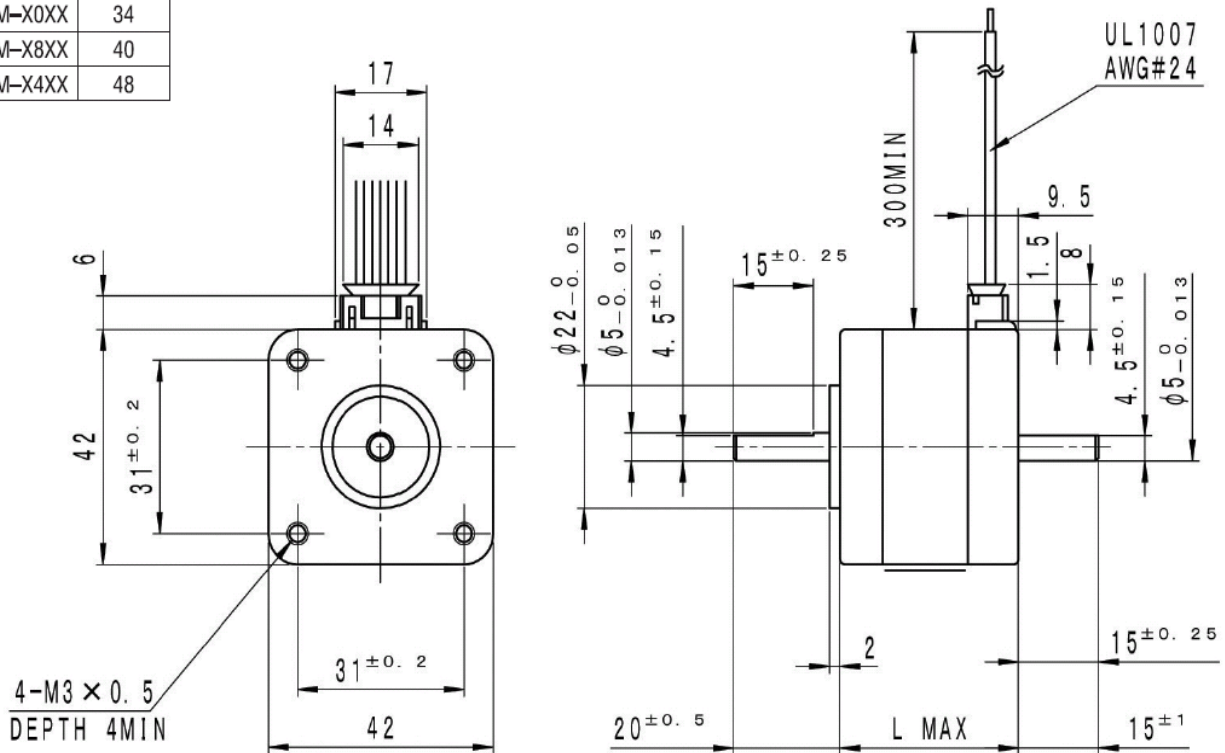


Standard Hybrid Step Motors

17PM-K

17PM-XXXX (42□ 1.8°)

Model	Length	UNIT:mm
17PM-X0XX	34	
17PM-X8XX	40	
17PM-X4XX	48	



17PM-K

Part Number	Motor Size	Step Angle	Rated Current	Resistance	Holding Torque	Mass
	[mm]	[deg]	[A]	[Ohms]	[mNm]	[g]
17PM-K053-00VS/99VS	42 ~ 34	1.8	0.85	4.2	170	200
17PM-K845-00VS/99VS	42 ~ 40	1.8	1.2	2.9	270	300
17PM-K858-00VS/99VS	42 ~ 40	1.8	0.75	7.4	270	300
17PM-K444-00VS/99VS	42 ~ 48	1.8	1.2	3.3	340	350
17PM-K455-00VS/99VS	42 ~ 48	1.8	0.8	7.3	340	350

Model No : 17PM-K053U,K845U,K858U,K444U,K455U
 Driver : Chopper Dual
 Supply Voltage : 24.0 (volt)

