



Chipsmall Limited consists of a professional team with an average of over 10 year of expertise in the distribution of electronic components. Based in Hongkong, we have already established firm and mutual-benefit business relationships with customers from,Europe,America and south Asia,supplying obsolete and hard-to-find components to meet their specific needs.

With the principle of “Quality Parts,Customers Priority,Honest Operation,and Considerate Service”,our business mainly focus on the distribution of electronic components. Line cards we deal with include Microchip,ALPS,ROHM,Xilinx,Pulse,ON,Everlight and Freescale. Main products comprise IC,Modules,Potentiometer,IC Socket,Relay,Connector.Our parts cover such applications as commercial,industrial, and automotives areas.

We are looking forward to setting up business relationship with you and hope to provide you with the best service and solution. Let us make a better world for our industry!



Contact us

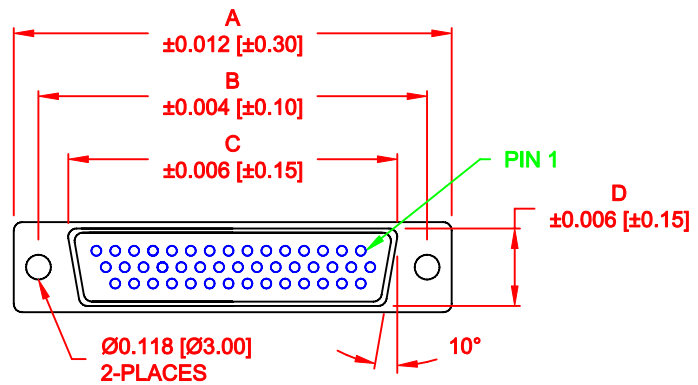
Tel: +86-755-8981 8866 Fax: +86-755-8427 6832

Email & Skype: info@chipsmall.com Web: www.chipsmall.com

Address: A1208, Overseas Decoration Building, #122 Zhenhua RD., Futian, Shenzhen, China

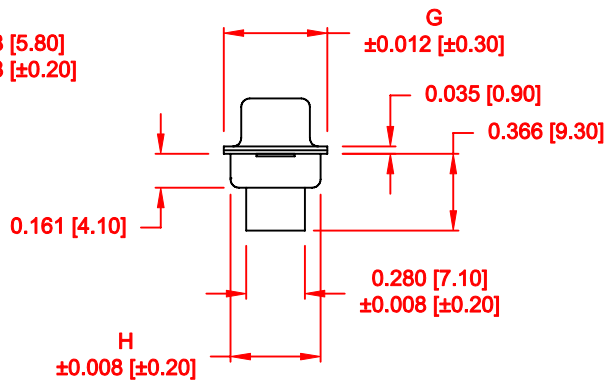
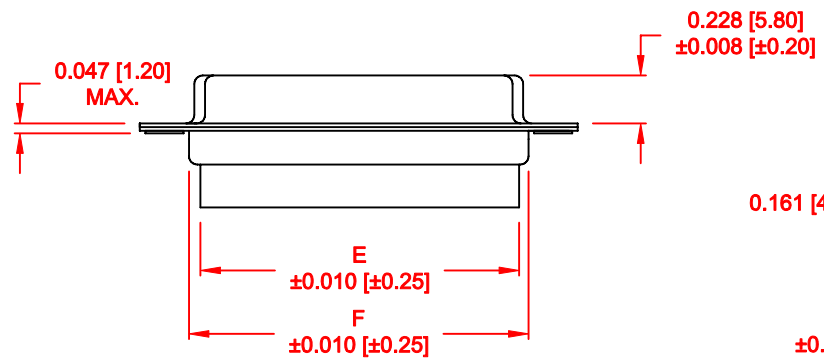


DESCRIPTION: HIGH DENSITY FEMALE - CRIMP AND LOAD



4 ROWS

No. OF PINS	DIMENSIONS							
	B	C	D	E	F	G	H	
15	1.213	0.984	0.643	0.311	0.606	0.756	0.426	0.429
	30.80	24.99	16.34	7.90	15.40	19.20	12.60	10.90
26	1.541	1.312	0.966	0.311	0.954	1.091	0.426	0.429
	39.15	33.32	24.53	7.90	24.22	27.70	12.60	10.90
44	2.087	1.852	1.512	0.311	1.499	1.618	0.426	0.429
	53.00	47.04	38.40	7.90	38.08	41.10	12.60	10.90
62	2.728	2.500	2.156	0.311	2.147	2.256	0.426	0.429
	69.30	63.50	54.76	7.90	54.54	57.30	12.60	10.90
78	2.638	2.406	2.057	0.429	2.043	2.169	0.606	0.526
	67.00	61.10	52.26	10.90	51.90	55.10	15.40	13.35



180-YYY-27YLYY0

- SERIES
- POSITIONS
 - 015
 - 026
 - 044
 - 062
 - 078
- GENDER
 - 2 = FEMALE
- TERMINATION
 - 7 = CRIMP & LOAD
- SHELL PLATING
 - 2 = TIN
 - 3 = NICKEL
- RoHS COMPLIANT (230°C)
- HARDWARE OPTIONS
 - 00 = NO HARDWARE
 - 01 = .098" CLINCH NUT (BOARD SIDE)
 - 02 = .236" CLINCH NUT (BOARD SIDE)
 - 03 = .236" CLINCH NUT (MATING SIDE)
- PLATING OPTIONS
 - 0 = NO CONTACTS

MATERIAL:

- SHELL: STEEL, TIN OR NICKEL PLATED
- INSULATOR: PBT, UL 94V-O RATED, +30% FIBER-GLASS OR NYLON-66
- CONTACT: BRASS, GOLD PLATED OVER NICKEL

ELECTRICAL:

- CURRENT RATING: 5 AMPS
- CONTACT RESISTANCE: 15 mOhms Max.
- INSULATION RESISTANCE: 1,000 MOhms min.
- VOLTAGE: 500VAC FOR 1 MINUTE
- TEMPERATURE: -50° C TO 100° C

RoHS COMPLIANT

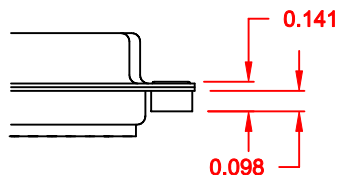
DO NOT SCALE FROM DRAWING

	THESE DRAWINGS AND SPECIFICATIONS ARE THE PROPERTY OF NorComp AND SHALL NOT BE REPRODUCED, COPIED OR USED AS THE BASIS FOR THE MANUFACTURE OF SALE OF APPARATUS WITHOUT WRITTEN PERMISSION.		DRAWN: PAM JENKINS	DATE: 7-19-05
			CHECKED:	DATE:
NorComp		SCALE:	SHEET 1 OF 2	REV 13
		DWG NO. 180-YYY-27YLYY0		

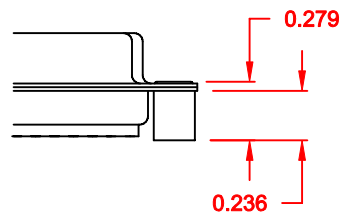
TOLERANCE:
ALL DIMENSIONS ARE ±0.010

ALL CLINCH-NUTS ARE 4-40 INTERNAL THREADS

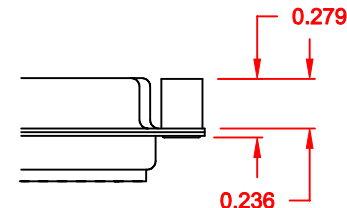
01X 0.065" (BOARD SIDE) - CN1



02X 0.236" (BOARD SIDE) - CN2




03X..... 0.236" (MATING SIDE) - CN8



DO NOT SCALE FROM DRAWING

RoHS COMPLIANT

	THESE DRAWINGS AND SPECIFICATIONS ARE THE PROPERTY OF NorComp AND SHALL NOT BE REPRODUCED, COPIED OR USED AS THE BASIS FOR THE MANUFACTURE OF SALE OF APPARATUS WITHOUT WRITTEN PERMISSION.		DRAWN: WAYNE ROBBINS	DATE: 11-28-05	
			CHECKED:	DATE:	
<h1>NorComp</h1>			SCALE:	SHEET 2 OF 2	REV 13
			DWG NO. 180-YYY-27YLYY0		