



Chipsmall Limited consists of a professional team with an average of over 10 year of expertise in the distribution of electronic components. Based in Hongkong, we have already established firm and mutual-benefit business relationships with customers from,Europe,America and south Asia,supplying obsolete and hard-to-find components to meet their specific needs.

With the principle of "Quality Parts,Customers Priority,Honest Operation,and Considerate Service",our business mainly focus on the distribution of electronic components. Line cards we deal with include Microchip,ALPS,ROHM,Xilinx,Pulse,ON,Everlight and Freescale. Main products comprise IC,Modules,Potentiometer,IC Socket,Relay,Connector.Our parts cover such applications as commercial,industrial, and automotives areas.

We are looking forward to setting up business relationship with you and hope to provide you with the best service and solution. Let us make a better world for our industry!



Contact us

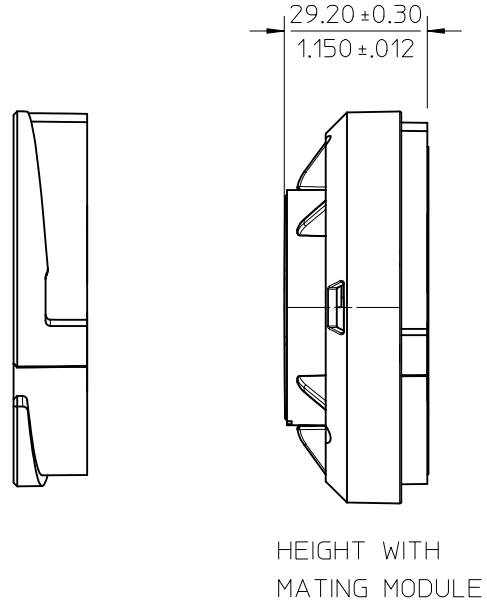
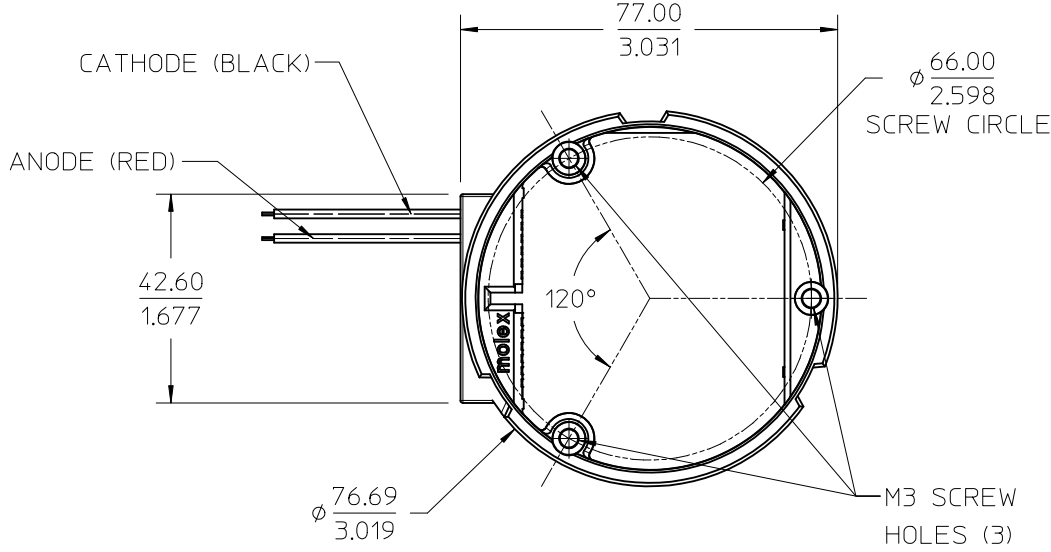
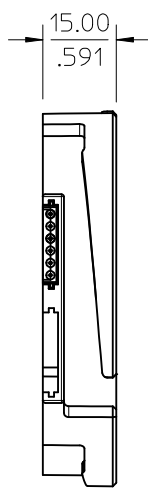
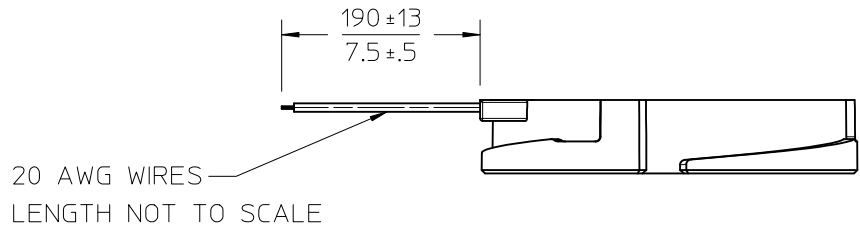
Tel: +86-755-8981 8866 Fax: +86-755-8427 6832

Email & Skype: info@chipsmall.com Web: www.chipsmall.com

Address: A1208, Overseas Decoration Building, #122 Zhenhua RD., Futian, Shenzhen, China



10 9 8 7 6 5 4 3 2 1



NOTES:

- 1) MATES TO HELIEON MODULE 180081-****
SEE SHEET 2 FOR DIMENSIONS WITH MODULE.
- 3) SOCKET TO BE MOUNTED TO FLAT SURFACE.
SEE SHEET 3 FOR MOUNTING DIMENSIONS.
- 3) ASSEMBLY IS SHIPPED WITH WIRES ROUTED STRAIGHT OUT. WIRES MAY BE BENT 90° TO ROUTE DOWN. SEE SHEET 4 FOR ROUTING INSTRUCTIONS.
- 4) WIRE LENGTH SHOWN NOT TO SCALE.

ENTER DESCRIPTION EC NO: SSL2011-0005 DRW: DMCGOWAN 2010/07/27 CHKD: 2010/08/10 APPR: DMCGOWAN 2010/08/10	DESCRIPTION A1	QUALITY SYMBOLS ∇=0 ∇=0 ∇=0	GENERAL TOLERANCES (UNLESS SPECIFIED)		DIMENSION STYLE MM/IN		SCALE 1:1	DESIGN UNITS METRIC	THIRD ANGLE PROJECTION			
					DRAWN BY MCGOWAN	DATE 2010/02/08	HELIEON 80MM SOCKET SALES DRAWING					
					CHECKED BY	DATE						
					APPROVED BY DMCGOWAN	DATE 2010/03/22	MATERIAL NO. 180080-0000		DOCUMENT NO. SD-180080-000	SHEET NO. 1 OF 3		

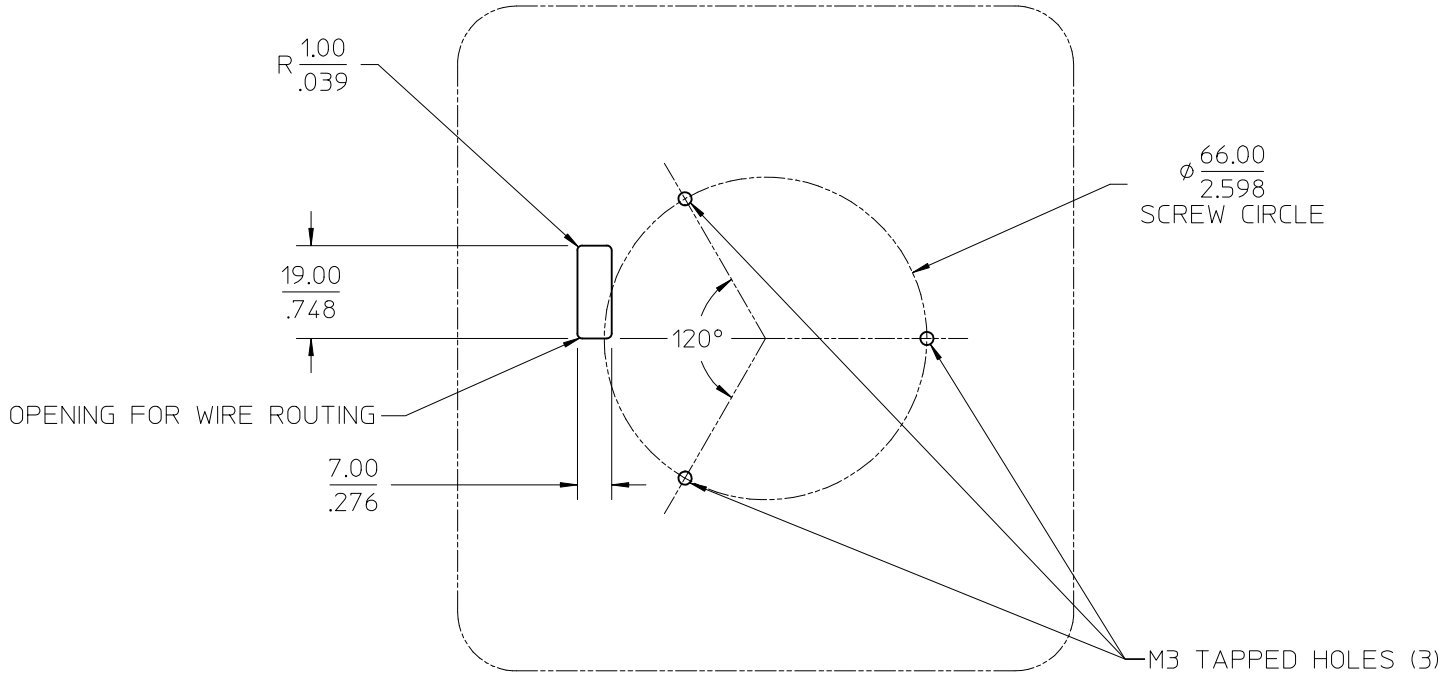
DRAFT WHERE APPLICABLE
MUST REMAIN
WITHIN DIMENSIONS

THIS DRAWING CONTAINS INFORMATION THAT IS PROPRIETARY TO MOLEX INCORPORATED AND SHOULD NOT BE USED WITHOUT WRITTEN PERMISSION

9 8 7 6 5 4 3 2 1

10 9 8 7 6 5 4 3 2 1

NOTES:
 1) MOUNTING SURFACE SHALL BE FLAT WITHIN 0.13 MM/.005 INCH.

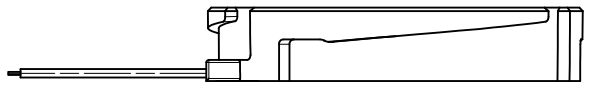
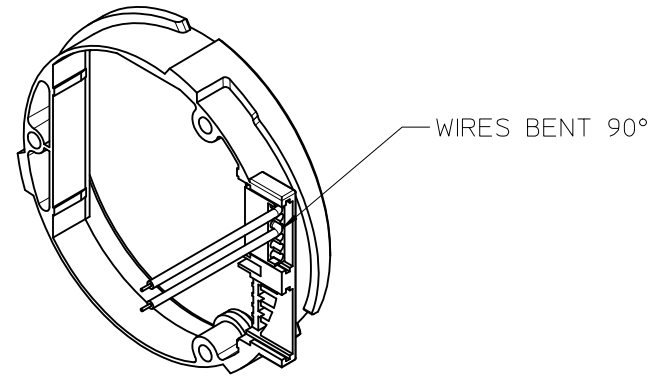
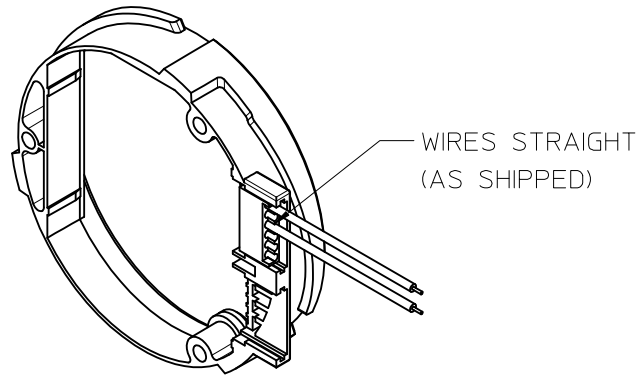


RECOMMENDED MOUNTING DIMENSIONS

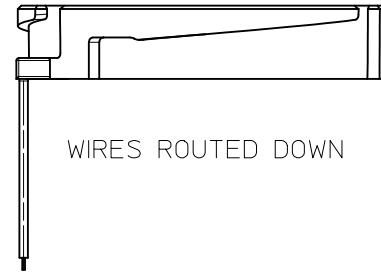
ENTER DESCRIPTION EC NO: SSL2011-0005 DRAWN:DMCGOWAN 2010/07/27 CHKD: 2010/08/10 APPR:DMCGOWAN 2010/08/10 REV A1	QUALITY SYMBOLS	GENERAL TOLERANCES (UNLESS SPECIFIED)		DIMENSION STYLE MM/IN		SCALE 1:1	DESIGN UNITS METRIC	THIRD ANGLE PROJECTION	
	$\nabla Z=0$	mm	INCH	DRAWN BY MCGOWAN	DATE 2010/02/08	TITLE HELIEON 80MM SOCKET SALES DRAWING			
	$\nabla Z=0$	4 PLACES ± ---	± ---	CHECKED BY	DATE	APPROVED BY DMCGOWAN 2010/03/22			
	$\nabla Z=0$	3 PLACES ± ---	± .005	MATERIAL NO. 180080-0000		DOCUMENT NO. SD-180080-000		SHEET NO. 2 OF 3	
	$\nabla Z=0$	2 PLACES ± 0.13	± .01	DRAFT WHERE APPLICABLE MUST REMAIN WITHIN DIMENSIONS					
		1 PLACE ± 0.25	± ---	THIS DRAWING CONTAINS INFORMATION THAT IS PROPRIETARY TO MOLEX INCORPORATED AND SHOULD NOT BE USED WITHOUT WRITTEN PERMISSION					

9 8 7 6 5 4 3 2 1

10 9 8 7 6 5 4 3 2 1



WIRES ROUTED STRAIGHT OUT



WIRES ROUTED DOWN

WIRE ROUTING OPTIONS

ENTER DESCRIPTION EC NO: SSL2011-0005 DRW:DMCGOWAN 2010/07/27 CHKD: 2010/08/10 APPR:DMCGOWAN 2010/08/10	QUALITY SYMBOLS ▽/0 ▽/0 ▽/0	GENERAL TOLERANCES (UNLESS SPECIFIED)		DIMENSION STYLE MM/IN	SCALE 1:1	DESIGN UNITS METRIC	THIRD ANGLE PROJECTION
		4 PLACES ± --- ± ---	DRAWN BY DATE MCGOWAN 2010/02/08	TITLE HELION 80MM SOCKET SALES DRAWING			
		3 PLACES ± --- ± .005	CHECKED BY DATE	APPROVED BY DATE DMCGOWAN 2010/03/22			
		2 PLACES ± 0.13 ± .01 1 PLACE ± 0.25 ± ---	MATERIAL NO. 180080-0000	DOCUMENT NO. SD-180080-000	SHEET NO. 3 OF 3		
REV A1	DESCRIPTION	ANGULAR ±1/2°		DRAFT WHERE APPLICABLE MUST REMAIN WITHIN DIMENSIONS			
THIS DRAWING CONTAINS INFORMATION THAT IS PROPRIETARY TO MOLEX INCORPORATED AND SHOULD NOT BE USED WITHOUT WRITTEN PERMISSION				MOLEX INCORPORATED			

9 8 7 6 5 4 3 2 1