



Chipsmall Limited consists of a professional team with an average of over 10 year of expertise in the distribution of electronic components. Based in Hongkong, we have already established firm and mutual-benefit business relationships with customers from,Europe,America and south Asia,supplying obsolete and hard-to-find components to meet their specific needs.

With the principle of “Quality Parts,Customers Priority,Honest Operation,and Considerate Service”,our business mainly focus on the distribution of electronic components. Line cards we deal with include Microchip,ALPS,ROHM,Xilinx,Pulse,ON,Everlight and Freescale. Main products comprise IC,Modules,Potentiometer,IC Socket,Relay,Connector.Our parts cover such applications as commercial,industrial, and automotives areas.

We are looking forward to setting up business relationship with you and hope to provide you with the best service and solution. Let us make a better world for our industry!



Contact us

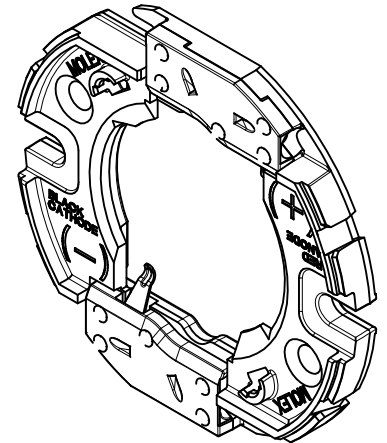
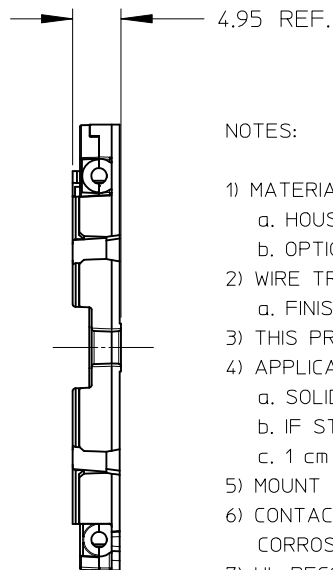
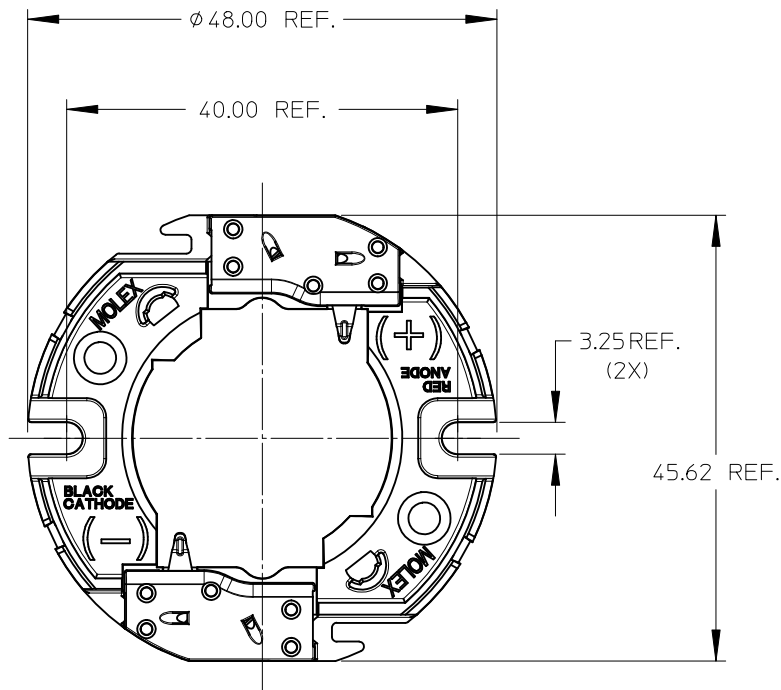
Tel: +86-755-8981 8866 Fax: +86-755-8427 6832

Email & Skype: info@chipsmall.com Web: www.chipsmall.com

Address: A1208, Overseas Decoration Building, #122 Zhenhua RD., Futian, Shenzhen, China

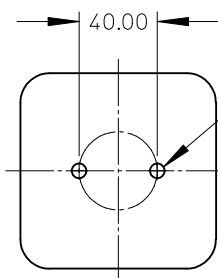


10	9	8	7
PART NUMBER	DESCRIPTION	SEE SHEET	
180150-0000	HOLDER WITHOUT LENS	3	
180150-0001	HOLDER WITH LENS	3	
180152-0000	COVER LENS ONLY	3	
N/A	REFLECTOR OPTION (LEDIL)	4	



NOTES:

- 1) MATERIALS:
 - a. HOUSING AND CAPS: NATURAL COLOR PA66 NYLON 25% GF UL94V-0
 - b. OPTIONAL SNAP ON COVER LENS: CLEAR POLYCARBONATE UL94HB
- 2) WIRE TRAP TERMINALS: COPPER ALLOY
 - a. FINISH: 2.50 MICRONS (100 μ in.) SILVER OVER 1.25 MICRONS (50 μ in.) NICKEL
- 3) THIS PRODUCT IS ELV AND ROHS COMPLIANT
- 4) APPLICABLE WIRE GAUGE - 18 OR 20 AWG
 - a. SOLID WIRE IS RECOMMENDED
 - b. IF STRANDED WIRE IS USED, PRE-TINNED IS RECOMMENDED
 - c. 1 cm STRIP LENGTH RECOMMENDED
- 5) MOUNT HOLDER USING M3 OR 4-40 SCREWS (2), 0.8 NEWTON METERS MAX TORQUE
- 6) CONTACT AREA OF TERMINAL HAS AN ENVIRONMENTAL BARRIER/LUBRICANT FOR CORROSION RESISTANCE
- 7) UL RECOGNIZED TO UL 496
- 8) c-UL RECOGNIZED TO CSA-22.2 No. 43 (2008)
- 9) RATED 600V
- 10) UL FILE NUMBER E345583

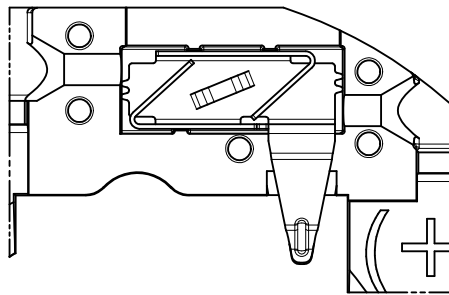
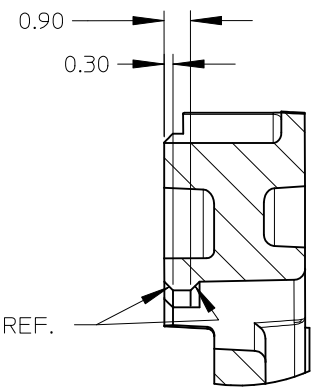
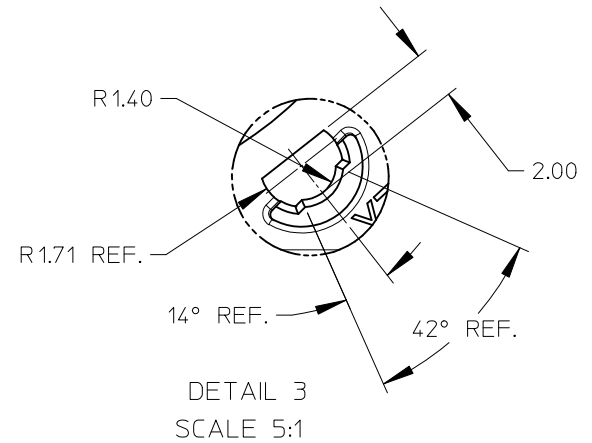
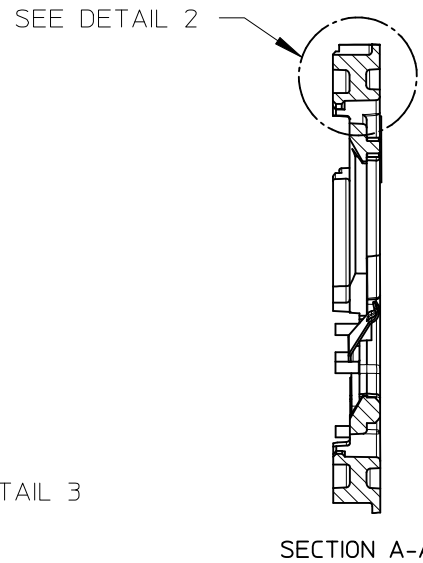
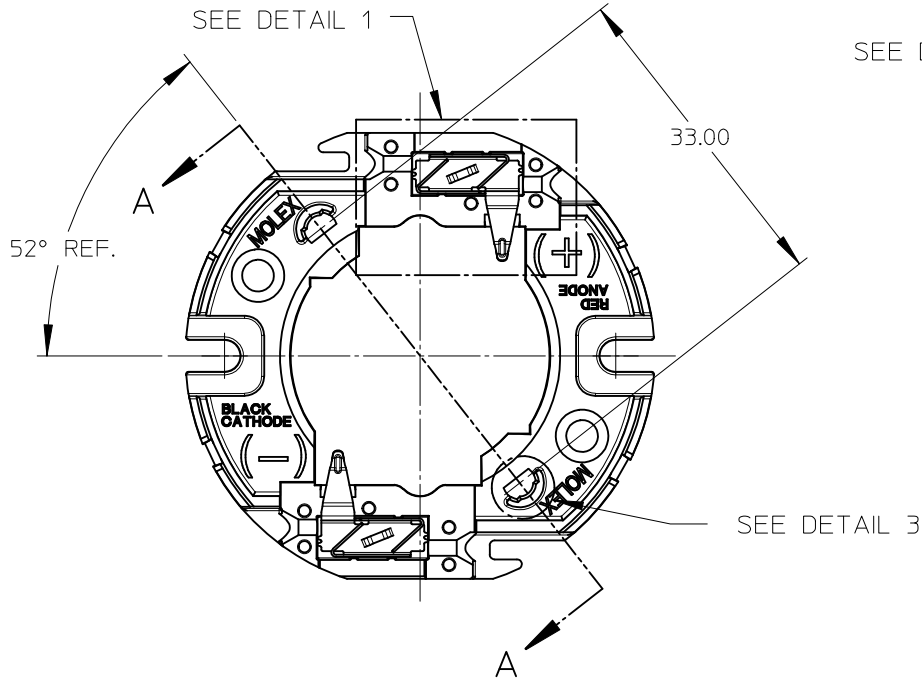


M3 OR 4-40 TAPPED HOLES (2)
TORQUE SCREWS 0.8 NEWTON METERS MAX

RECOMMENDED MOUNTING DIMENSIONS (NTS)

ENTER DESCRIPTION EC NO: SSL2011-0088 DRAWN: CCARRANZA 2011/05/31 CHKD: APPR: DMCGOWAN 2011/05/31 REV	QUALITY SYMBOLS $\nabla F=0$ $\nabla E=0$ $\nabla F=0$	GENERAL TOLERANCES (UNLESS SPECIFIED)		DIMENSION STYLE MM ONLY		SCALE 2:1	DESIGN UNITS METRIC	THIRD ANGLE PROJECTION	
		4 PLACES \pm --- \pm --- 3 PLACES \pm --- \pm --- 2 PLACES \pm 0.13 \pm --- 1 PLACE \pm 0.25 \pm ---	mm INCH	DRAWN BY CCARRANZA	DATE 2010/08/24	TITLE LED HOLDER FOR BRIDGELUX ES ARRAY			
		ANGULAR \pm 1/2°		CHECKED BY DMCGOWAN	DATE 2010/10/12	MOLEX INCORPORATED			
		DRAFT WHERE APPLICABLE MUST REMAIN WITHIN DIMENSIONS		SEE CHART		APPROVED BY DMCGOWAN	MATERIAL NO.	DOCUMENT NO. SD-180150-000	SHEET NO. 1 OF 4

WIRE TRAP CAPS ARE REMOVED FROM FRONT VIEW FOR CLARITY



WIRE TRAPS WILL ACCOMODATE
EITHER 18 OR 20 GAUGE WIRE
DETAIL 1 SCALE 4:1

ENTER DESCRIPTION EC NO: SSL2011-0088 DRAWN: CCARRANZA 2011/05/31 CHKD: APPR: DMCGOWAN 2011/05/31 A4	QUALITY SYMBOLS ∇=0 ∇=0 ∇=0	GENERAL TOLERANCES (UNLESS SPECIFIED)		DIMENSION STYLE MM ONLY		SCALE 2:1	DESIGN UNITS METRIC	THIRD ANGLE PROJECTION		
		mm	INCH	DRAWN BY CCARRANZA	DATE 2010/08/24	TITLE LED HOLDER FOR BRIDGELUX ES ARRAY				
		4 PLACES ± ---	± ---	CHECKED BY DATE		MOLEX INCORPORATED				
		3 PLACES ± ---	± ---	APPROVED BY DMCGOWAN		DATE 2010/10/12	DOCUMENT NO. SD-180150-000	SHEET NO. 2 OF 4		
2 PLACES ± 0.13	± ---	DRAFT WHERE APPLICABLE MUST REMAIN WITHIN DIMENSIONS		SEE CHART		THIS DRAWING CONTAINS INFORMATION THAT IS PROPRIETARY TO MOLEX INCORPORATED AND SHOULD NOT BE USED WITHOUT WRITTEN PERMISSION				
1 PLACE ± 0.25	± ---									
		ANGULAR ± 1/2°								

10 9 8 7 6 5 4 3 2 1

F

E

D

C

B

A

F

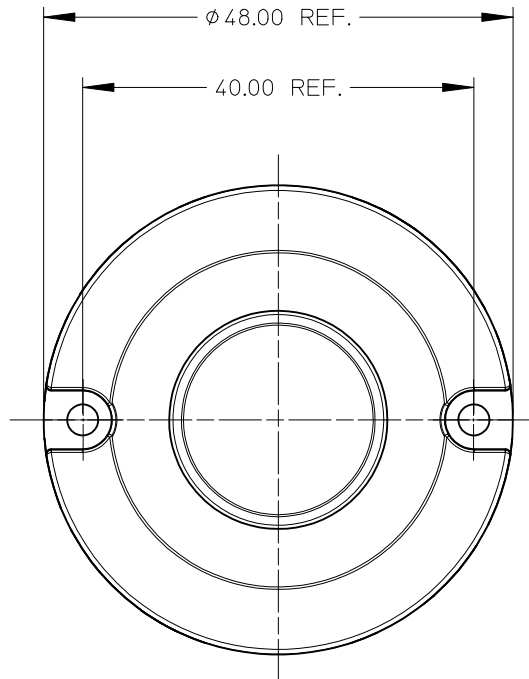
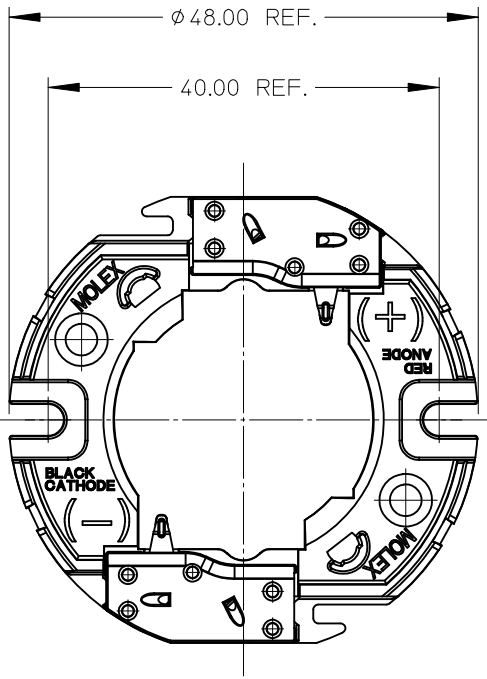
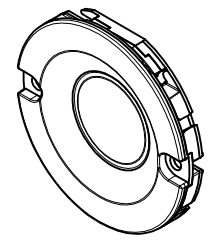
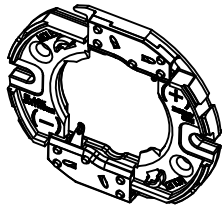
E

D

C

B

A



LED HOLDER PART NUMBER 180150-0000

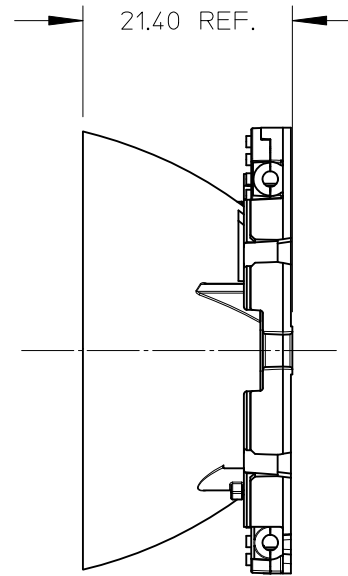
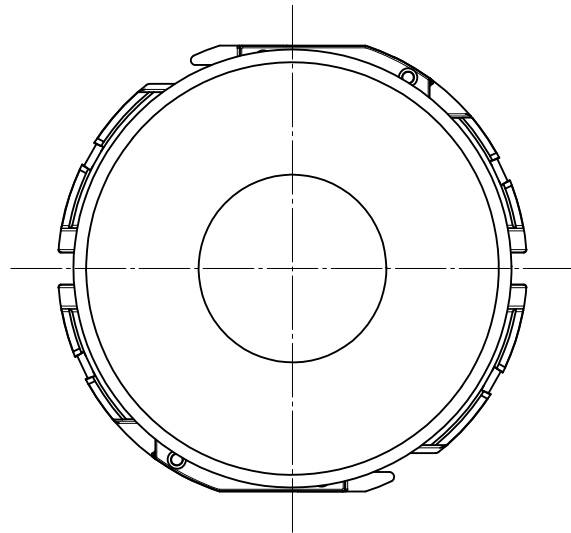
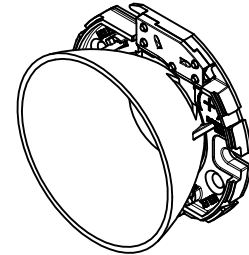
LED HOLDER SHOWN WITH OPTIONAL CLEAR COVER LENS
MOLEX INDIVIDUAL COVER LENS PART NUMBER IS 180152-0000

ENTER DESCRIPTION EC NO: SSL2011-0088 DRAWN: CCARRANZA 2011/05/31 CHKD: APPR: DMCGOWAN 2011/05/31 REV A4	QUALITY SYMBOLS ▽=0 ▽=0 ▽=0	GENERAL TOLERANCES (UNLESS SPECIFIED) mm INCH 4 PLACES ± --- ± --- 3 PLACES ± --- ± --- 2 PLACES ± 0.13 ± --- 1 PLACE ± 0.25 ± --- ANGULAR ± 1/2°	DIMENSION STYLE MM ONLY DRAWN BY DATE CCARRANZA 2010/08/24 CHECKED BY DATE	SCALE 2:1 DESIGN UNITS METRIC	THIRD ANGLE PROJECTION
	LED HOLDER FOR BRIDGELUX ES ARRAY				
	APPROVED BY DATE DMCGOWAN 2010/10/12 MATERIAL NO.				
	DRAFT WHERE APPLICABLE MUST REMAIN WITHIN DIMENSIONS				
			SEE CHART SIZE B	Molex MOLEX INCORPORATED DOCUMENT NO. SD-180150-000	SHEET NO. 3 OF 4

9 8 7 6 5 4 3 2 1

10 9 8 7 6 5 4 3 2 1

SHOWN WITH OPTIONAL REFLECTOR
 SOLD SEPARATELY BY LEDIL @ www.ledil.com



ENTER DESCRIPTION EC NO: SSL2011-0088 DRAWN: CCARRANZA 2011/05/31 CHKD: APPR: DMCGOWAN 2011/05/31 REV: A4	QUALITY SYMBOLS F/0 F/0 F/0	GENERAL TOLERANCES (UNLESS SPECIFIED) <table border="1"> <thead> <tr> <th></th> <th>mm</th> <th>INCH</th> </tr> </thead> <tbody> <tr> <td>4 PLACES</td> <td>± ---</td> <td>± ---</td> </tr> <tr> <td>3 PLACES</td> <td>± ---</td> <td>± ---</td> </tr> <tr> <td>2 PLACES</td> <td>± 0.13</td> <td>± ---</td> </tr> <tr> <td>1 PLACE</td> <td>± 0.25</td> <td>± ---</td> </tr> </tbody> </table> ANGULAR ±1/2°		mm	INCH	4 PLACES	± ---	± ---	3 PLACES	± ---	± ---	2 PLACES	± 0.13	± ---	1 PLACE	± 0.25	± ---	DIMENSION STYLE MM ONLY DRAWN BY: CCARRANZA DATE: 2010/08/24 CHECKED BY: DATE: APPROVED BY: DMCGOWAN DATE: 2010/10/12 MATERIAL NO.	SCALE 4:1 DESIGN UNITS METRIC THIRD ANGLE PROJECTION	TITLE LED HOLDER FOR BRIDGELUX ES ARRAY MOLEX INCORPORATED DOCUMENT NO. SD-180150-000 SHEET NO. 4 OF 4
		mm	INCH																	
	4 PLACES	± ---	± ---																	
	3 PLACES	± ---	± ---																	
2 PLACES	± 0.13	± ---																		
1 PLACE	± 0.25	± ---																		
DRAFT WHERE APPLICABLE MUST REMAIN WITHIN DIMENSIONS		SEE CHART	THIS DRAWING CONTAINS INFORMATION THAT IS PROPRIETARY TO MOLEX INCORPORATED AND SHOULD NOT BE USED WITHOUT WRITTEN PERMISSION																	

9 8 7 6 5 4 3 2 1