



Chipsmall Limited consists of a professional team with an average of over 10 year of expertise in the distribution of electronic components. Based in Hongkong, we have already established firm and mutual-benefit business relationships with customers from,Europe,America and south Asia,supplying obsolete and hard-to-find components to meet their specific needs.

With the principle of “Quality Parts,Customers Priority,Honest Operation,and Considerate Service”,our business mainly focus on the distribution of electronic components. Line cards we deal with include Microchip,ALPS,ROHM,Xilinx,Pulse,ON,Everlight and Freescale. Main products comprise IC,Modules,Potentiometer,IC Socket,Relay,Connector.Our parts cover such applications as commercial,industrial, and automotives areas.

We are looking forward to setting up business relationship with you and hope to provide you with the best service and solution. Let us make a better world for our industry!



## Contact us

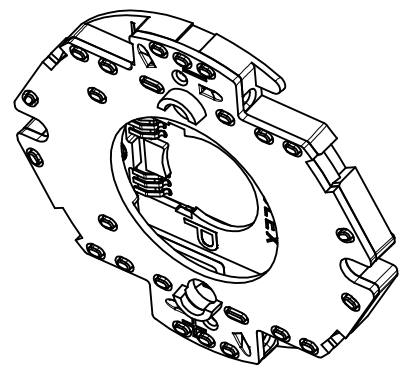
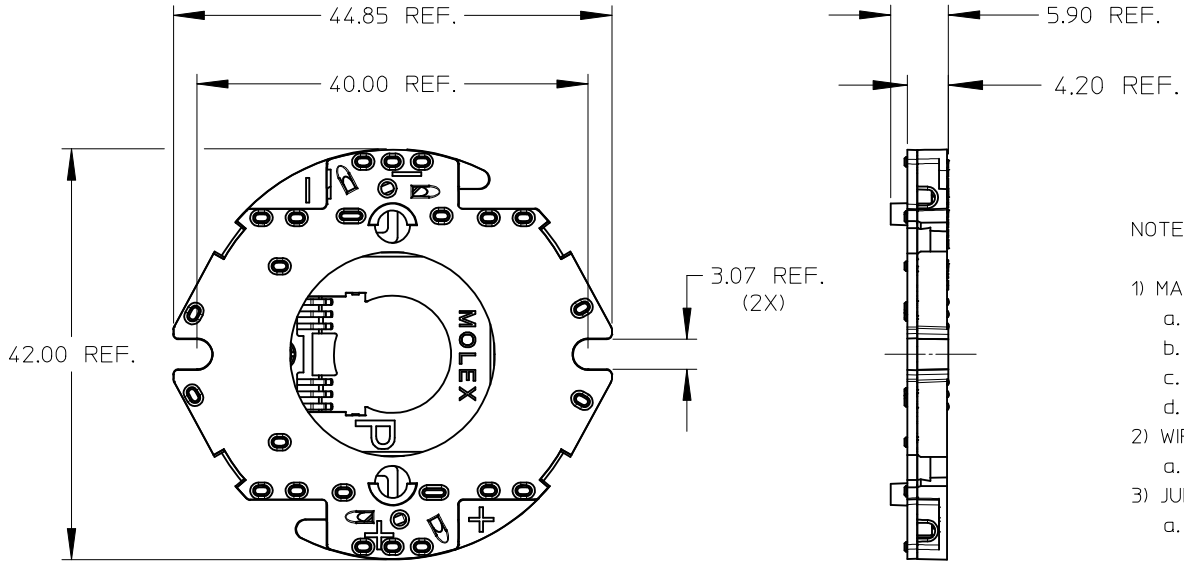
Tel: +86-755-8981 8866 Fax: +86-755-8427 6832

Email & Skype: info@chipsmall.com Web: www.chipsmall.com

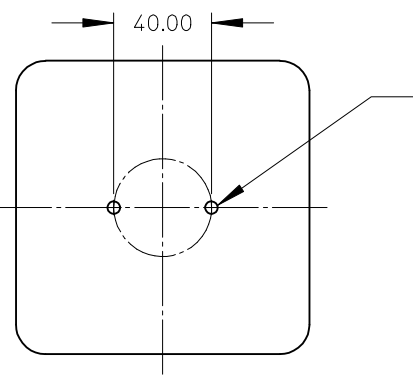
Address: A1208, Overseas Decoration Building, #122 Zhenhua RD., Futian, Shenzhen, China



PART NUMBER	DESCRIPTION	SHEET
180160-000	HOLDER WITHOUT LENS - WIRED IN PARALLEL	2
180160-0001	HOLDER WITH SNAP-ON LENS - WIRED IN PARALLEL	2
180160-0002	HOLDER WITHOUT LENS - WIRED IN SERIES	3
180160-0003	HOLDER WITH SNAP-ON LENS - WIRED IN SERIES	3
N/A	REFLECTOR OPTION	4



- NOTES:
- MATERIALS:
    - HOUSING: BLACK COLOR LCP 40% MINERAL FILLED UL94V-2
    - COVER: BLACK COLOR PA66 NYLON 25% GF UL94V-0
    - SNAP ON LENS/COVER: CLEAR PC POLYCARBONATE UF UL94HB
    - JUMPER: NATURAL COLOR PBT POLYESTER 30% GF UL94V-0
  - WIRE TRAP TERMINALS: COPPER ALLOY
    - FINISH: 2.50 MICRONS (100μ in.) OF TIN OVER 1.25 MICRONS (50μ in.) OF NICKEL
  - JUMPER TERMINALS: PHOSPHOR BRONZE
    - FINISH 0.25-0.50 MICRONS (10-20μ in.) SELECTIVE HARD GOLD IN CONTACT AREA  
1.25-2.50 MICRONS (50-100μ in.) NICKEL ALL OVER
  - THIS PRODUCT IS ELV AND ROHS COMPLIANT
  - APPLICABLE WIRE GAUGE - 18 OR 20 AWG
    - SOLID WIRE IS RECOMMENDED
    - IF STRANDED WIRE IS USED, PRE-TINNED IS RECOMMENDED
    - 1 cm STRIP LENGTH IS RECOMMENDED.
  - MOUNT HOLDER USING M3 OR 4-40 SCREWS (2), 0.8 NEWTON METERS MAX TORQUE

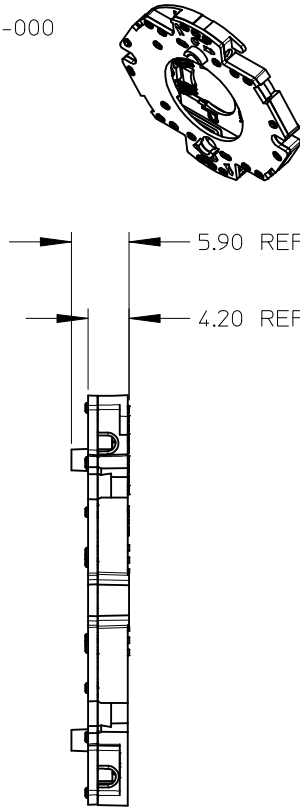
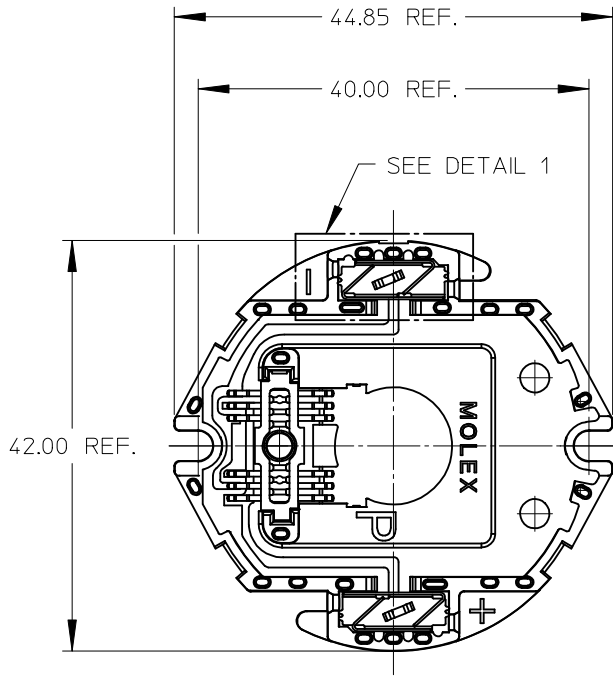


M3 TAPPED HOLES (2)  
TORQUE SCREWS 0.8 NEWTON METERS MAX.

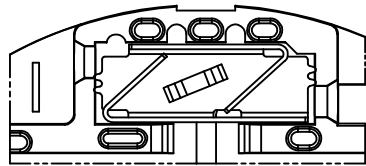
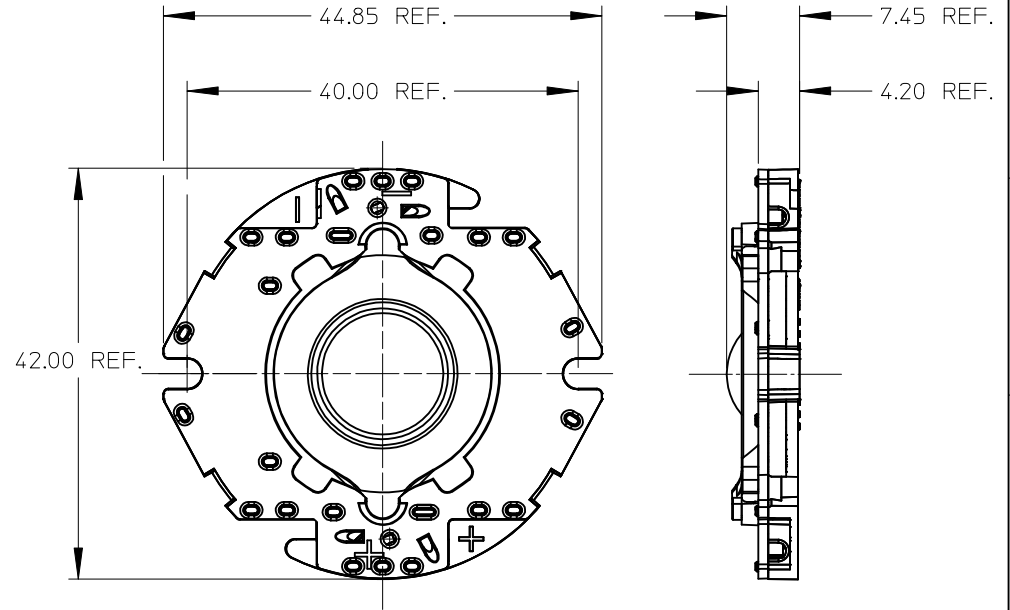
RECOMMENDED MOUNTING DIMENSIONS

<b>ENTER DESCRIPTION</b> EC NO: SSL2012-0059 DRAWN: CCARRANZA 2011/12/01 CHKD: DMCGOWAN APPR: DMCGOWAN 2011/12/15	<b>QUALITY SYMBOLS</b> ∇=0 ∇=0 ∇=0	<b>GENERAL TOLERANCES (UNLESS SPECIFIED)</b>		<b>DIMENSION STYLE</b> <b>MM ONLY</b>		<b>SCALE</b> 2:1	<b>DESIGN UNITS</b> METRIC	<b>THIRD ANGLE PROJECTION</b>		
		4 PLACES	± ---	± ---	DRAWN BY	DATE	<b>TITLE</b> CREE MP-L EASY WHITE LED HOLDER			
		3 PLACES	± ---	± ---	CCARRANZA	2010/10/07				
		2 PLACES	± 0.13	± ---	CHECKED BY	DATE	<b>MOLEX INCORPORATED</b>			
1 PLACE	± 0.25	± ---	DMCGOWAN	2010/11/23						
ANGULAR ±1/2°		DRAFT WHERE APPLICABLE MUST REMAIN WITHIN DIMENSIONS		APPROVED BY MATERIAL NO.		DATE 2010/11/23	<b>DOCUMENT NO.</b> SD-180160-000		<b>SHEET NO.</b> 1 OF 4	
<b>SIZE</b> B		<b>SEE CHART</b>		THIS DRAWING CONTAINS INFORMATION THAT IS PROPRIETARY TO MOLEX INCORPORATED AND SHOULD NOT BE USED WITHOUT WRITTEN PERMISSION						

LED HOLDER WIRED IN PARALLEL PART NUMBER 180160-000  
(COVER REMOVED FROM FRONT VIEW FOR CLARITY)



LED HOLDER WITH OPTIONAL CLEAR SNAP-ON LENS  
WIRED IN PARALLEL PART NUMBER 180160-0001

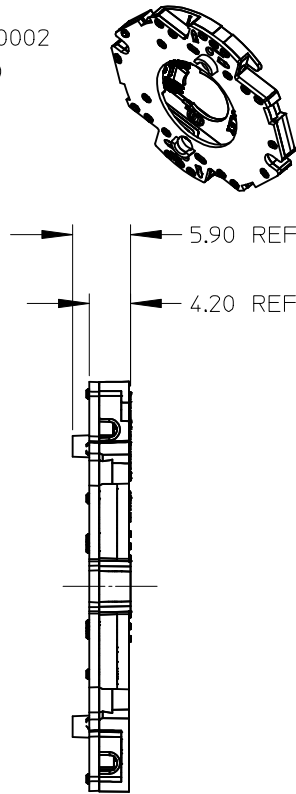
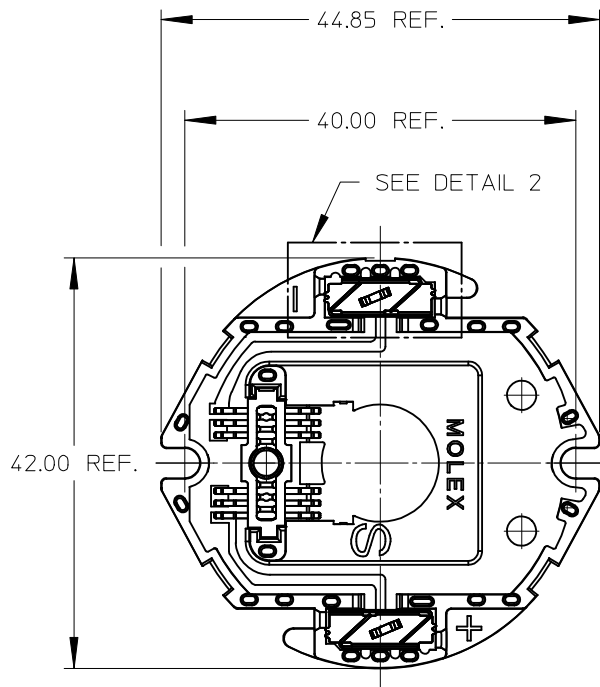


VIEW OF TWO-WAY WIRE TRAP  
WIRE TRAPS WILL ACCOMODATE  
EITHER 18 OR 20 GAUGE WIRE

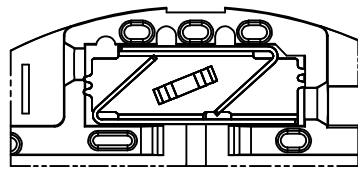
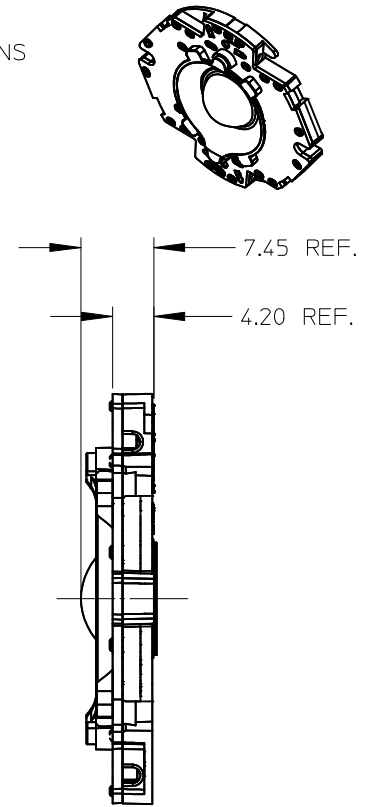
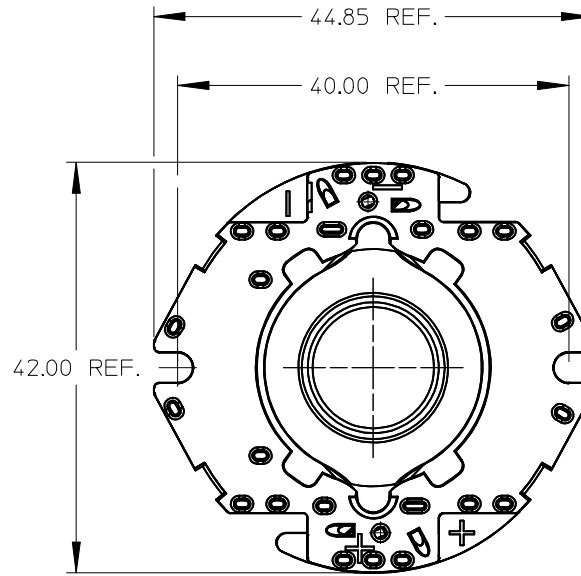
DETAIL 1 SCALE 4:1

<b>ENTER DESCRIPTION</b> EC NO: SSL2012-0059 DRAWN: CCARRANZA 2011/12/01 CHKD: DMCGOWAN APPR: DMCGOWAN 2011/12/15 REV B1	QUALITY SYMBOLS $\nabla F=0$ $\nabla F=0$ $\nabla F=0$	GENERAL TOLERANCES (UNLESS SPECIFIED) <table border="1"> <tr> <th></th> <th>mm</th> <th>INCH</th> </tr> <tr> <td>4 PLACES</td> <td><math>\pm</math>---</td> <td><math>\pm</math>---</td> </tr> <tr> <td>3 PLACES</td> <td><math>\pm</math>---</td> <td><math>\pm</math>---</td> </tr> <tr> <td>2 PLACES</td> <td><math>\pm</math>0.13</td> <td><math>\pm</math>---</td> </tr> <tr> <td>1 PLACE</td> <td><math>\pm</math>0.25</td> <td><math>\pm</math>---</td> </tr> <tr> <td colspan="3">ANGULAR <math>\pm 1/2^\circ</math></td> </tr> </table>		mm	INCH	4 PLACES	$\pm$ ---	$\pm$ ---	3 PLACES	$\pm$ ---	$\pm$ ---	2 PLACES	$\pm$ 0.13	$\pm$ ---	1 PLACE	$\pm$ 0.25	$\pm$ ---	ANGULAR $\pm 1/2^\circ$			DIMENSION STYLE <b>MM ONLY</b> DRAWN BY: CCARRANZA DATE: 2010/10/07 CHECKED BY: [blank] DATE: [blank]	SCALE <b>2:1</b>	DESIGN UNITS <b>METRIC</b>	THIRD ANGLE PROJECTION
		mm	INCH																					
	4 PLACES	$\pm$ ---	$\pm$ ---																					
	3 PLACES	$\pm$ ---	$\pm$ ---																					
2 PLACES	$\pm$ 0.13	$\pm$ ---																						
1 PLACE	$\pm$ 0.25	$\pm$ ---																						
ANGULAR $\pm 1/2^\circ$																								
DRAFT WHERE APPLICABLE MUST REMAIN WITHIN DIMENSIONS		SEE CHART	APPROVED BY: DMCGOWAN DATE: 2010/11/23 MATERIAL NO.	TITLE <b>CREE MP-L EASY WHITE LED HOLDER</b>	Molex <b>MOLEX INCORPORATED</b>	SHEET NO. <b>2 OF 4</b>																		
THIS DRAWING CONTAINS INFORMATION THAT IS PROPRIETARY TO MOLEX INCORPORATED AND SHOULD NOT BE USED WITHOUT WRITTEN PERMISSION			DOCUMENT NO. <b>SD-180160-000</b>																					
			SIZE <b>B</b>																					

LED HOLDER WIRED IN SERIES PART NUMBER 180160-0002  
(COVER REMOVED FROM FRONT VIEW FOR CLARITY)



LED HOLDER WITH OPTIONAL CLEAR COVER LENS  
WIRED IN SERIES PART NUMBER 180160-0003



VIEW OF TWO-WAY WIRE TRAP  
WIRE TRAPS WILL ACCOMODATE  
EITHER 18 OR 20 GAUGE WIRE

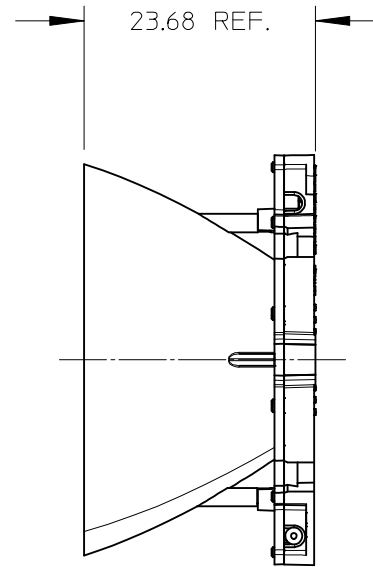
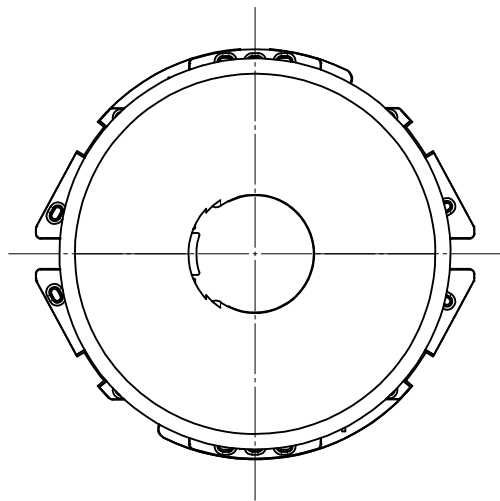
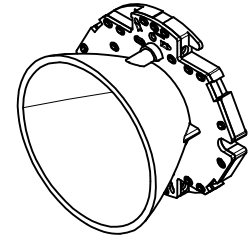
DETAIL 2 SCALE 4:1

<b>ENTER DESCRIPTION</b> EC NO: SSL2012-0059 DRWN:CCARRANZA 2011/12/01 CHKD: APPR:DMCGOWAN 2011/12/15 REV B1	QUALITY SYMBOLS $\nabla = 0$ $\nabla = 0$ $\nabla = 0$	GENERAL TOLERANCES (UNLESS SPECIFIED) mm INCH 4 PLACES ± --- ± --- 3 PLACES ± --- ± --- 2 PLACES ± 0.13 ± --- 1 PLACE ± 0.25 ± --- ANGULAR ± 1/2°	DIMENSION STYLE MM ONLY DRAWN BY DATE CCARRANZA 2010/10/07 CHECKED BY DATE	SCALE 2:1 DESIGN UNITS METRIC THIRD ANGLE PROJECTION	TITLE CREE MP-L EASY WHITE LED HOLDER	
		DRAFT WHERE APPLICABLE MUST REMAIN WITHIN DIMENSIONS	APPROVED BY DATE DMCGOWAN 2010/11/23	MATERIAL NO. SEE CHART	Molex MOLEX INCORPORATED	SHEET NO. 3 OF 4
					DOCUMENT NO. SD-180160-000	
					THIS DRAWING CONTAINS INFORMATION THAT IS PROPRIETARY TO MOLEX INCORPORATED AND SHOULD NOT BE USED WITHOUT WRITTEN PERMISSION	

10 9 8 7 6 5 4 3 2 1

SHOWN WITH OPTIONAL LEDIL REFLECTOR AND  
MOLEX CLEAR COVER (P/N 180162-0002)

LEDIL REFLECTOR SOLD SEPARATELY @ [www.ledil.com](http://www.ledil.com)



<b>ENTER DESCRIPTION</b> EC NO: SSL2012-0059 DRW: CCARRANZA 2011/12/07 CHKD: CHARRANZA APPR: DMCGOWAN 2011/12/15 REV: B1	<b>QUALITY SYMBOLS</b> F/0 F/0 F/0	<b>GENERAL TOLERANCES (UNLESS SPECIFIED)</b>		<b>DIMENSION STYLE</b> MM ONLY		SCALE 1:1	DESIGN UNITS METRIC	THIRD ANGLE PROJECTION		
		4 PLACES	± ---	± ---	DRAWN BY CCARRANZA	DATE 2010/10/07	TITLE CREE MP-L EASY WHITE LED HOLDER			
		3 PLACES	± ---	± ---	CHECKED BY	DATE				
		2 PLACES	± 0.13	± ---	APPROVED BY DMCGOWAN		DATE 2010/11/23	MOLEX INCORPORATED		
1 PLACE	± 0.25	± ---	MATERIAL NO.		SEE CHART	DOCUMENT NO. SD-180160-000	SHEET NO. 4 OF 4			
DRAFT WHERE APPLICABLE MUST REMAIN WITHIN DIMENSIONS		ANGULAR ±1/2°		THIS DRAWING CONTAINS INFORMATION THAT IS PROPRIETARY TO MOLEX INCORPORATED AND SHOULD NOT BE USED WITHOUT WRITTEN PERMISSION						

9 8 7 6 5 4 3 2 1