



Chipsmall Limited consists of a professional team with an average of over 10 year of expertise in the distribution of electronic components. Based in Hongkong, we have already established firm and mutual-benefit business relationships with customers from,Europe,America and south Asia,supplying obsolete and hard-to-find components to meet their specific needs.

With the principle of “Quality Parts,Customers Priority,Honest Operation,and Considerate Service”,our business mainly focus on the distribution of electronic components. Line cards we deal with include Microchip,ALPS,ROHM,Xilinx,Pulse,ON,Everlight and Freescale. Main products comprise IC,Modules,Potentiometer,IC Socket,Relay,Connector.Our parts cover such applications as commercial,industrial, and automotives areas.

We are looking forward to setting up business relationship with you and hope to provide you with the best service and solution. Let us make a better world for our industry!



Contact us

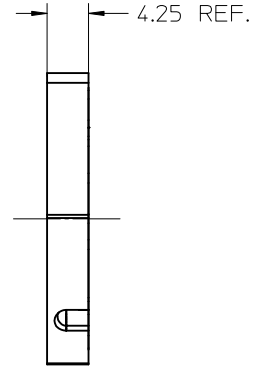
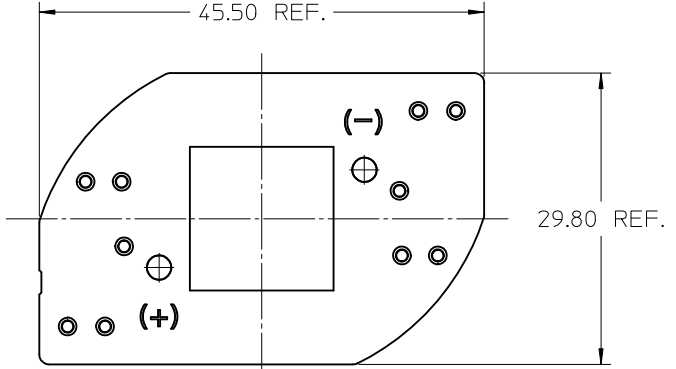
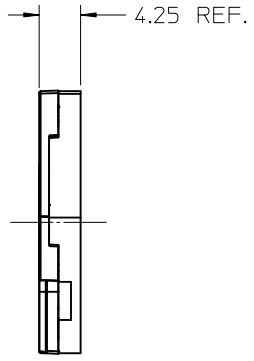
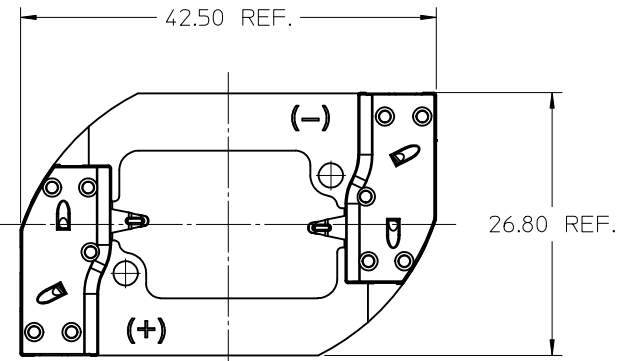
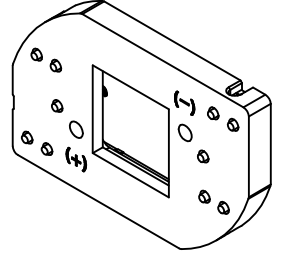
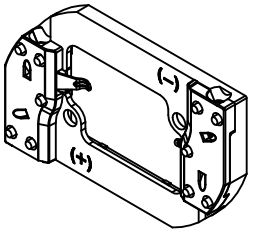
Tel: +86-755-8981 8866 Fax: +86-755-8427 6832

Email & Skype: info@chipsmall.com Web: www.chipsmall.com

Address: A1208, Overseas Decoration Building, #122 Zhenhua RD., Futian, Shenzhen, China



10	9	8	7	6	5	4	3	2	1
PART NUMBER		DESCRIPTION							
180250-0000		ILLUMITEX 500 LED HOLDER WITHOUT COVER							
180250-0001		ILLUMITEX 500 LED HOLDER WITH COVER							

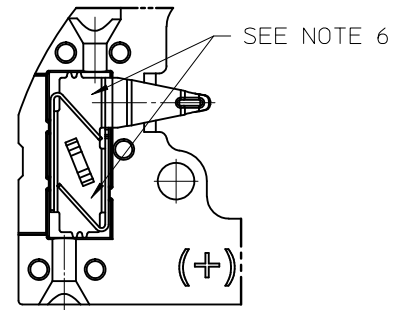
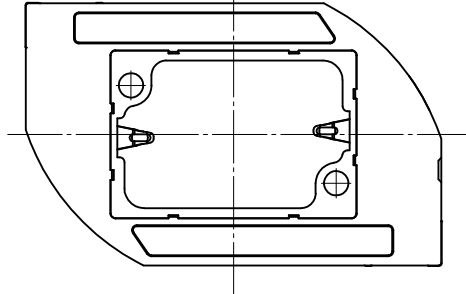
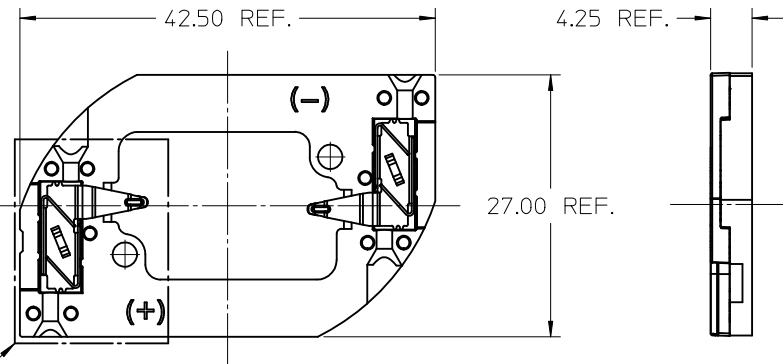


- NOTES:
- MATERIALS:
 - CAPS: NATURAL COLOR PA66 NYLON 25% GF UL94V-0
 - HOUSING: NATURAL COLOR PA66 NYLON 25% GF UL94V-0
 - COVER: NATURAL COLOR PA66 NYLON 25% GF UL94V-0
 - WIRE TRAP TERMINALS: COPPER ALLOY
 - FINISH: GOLD OVER NICKEL
 - THIS PRODUCT IS ELV AND ROHS COMPLIANT
 - APPLICABLE WIRE GAUGE - 20 AWG
 - SOLID WIRE IS RECOMMENDED
 - IF STRANDED WIRE IS USED, PRE-TINNED IS RECOMMENDED
 - 1 cm STRIP LENGTH IS RECOMMENDED
 - MOUNT HOLDER USING M2 SCREWS (2), 0.8 NEWTON METERS MAX TORQUE
 - FOR POTTED APPLICATIONS, THE ENCAPSULANT MUST NOT ENTER THE WIRE TRAP OR CONTACT BEAM CAVITIES. ENCAPSULANT IN THESE AREAS MAY PREVENT ELECTRICAL CONTACT
 - UL RECOGNIZED TO UL496
 - UL RECOGNIZED TO CSA-C22.2 NO. 43 (2008)
 - RATED 600V
 - UL FILE NUMBER E345583, UL-OLFB2

ENTER DESCRIPTION EC NO: SSL2012-0041 DRAWN BY: JAKLIC 2011/11/01 CHKD: JAKLIC APPR: DMCGOWAN 2011/11/02 REV: A1	QUALITY SYMBOLS	GENERAL TOLERANCES (UNLESS SPECIFIED)	DIMENSION STYLE	SCALE	DESIGN UNITS	THIRD ANGLE PROJECTION	
	$\nabla F/0$ $\nabla E/0$ $\nabla F/0$	mm	INCH	MM ONLY	2:1	METRIC	
		4 PLACES	±---	±---	DRAWN BY: FJAKLIC	DATE: 2011/06/08	TITLE: ILLUMITEX 500 LED HOLDER
		3 PLACES	±---	±---	CHECKED BY:	DATE:	
	2 PLACES	±0.13	±---	APPROVED BY: DMCGOWAN	DATE: 2011/06/21	MATERIAL NO. MOLEX INCORPORATED	
	1 PLACE	±0.25	±---	ANGULAR ±1/2°		DOCUMENT NO. SD-180250-001	
DRAFT WHERE APPLICABLE MUST REMAIN WITHIN DIMENSIONS		SEE CHART		SHEET NO. 1 OF 2			
THIS DRAWING CONTAINS INFORMATION THAT IS PROPRIETARY TO MOLEX INCORPORATED AND SHOULD NOT BE USED WITHOUT WRITTEN PERMISSION							

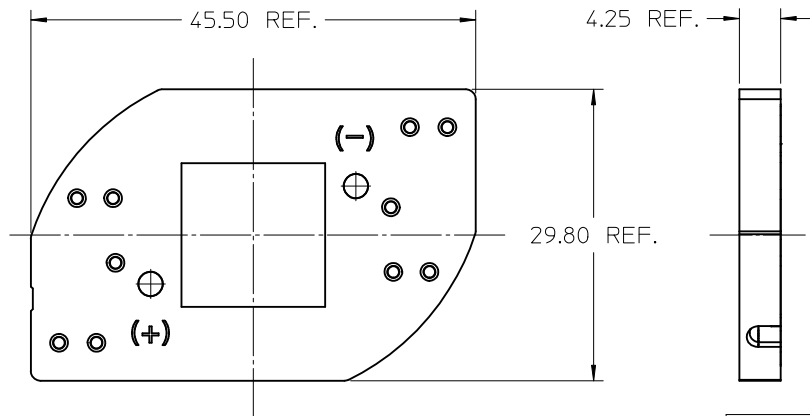
WIRE TRAP CAPS REMOVED FROM FRONT VIEW FOR CLARITY

LED HOLDER PART NUMBER 180250-0000

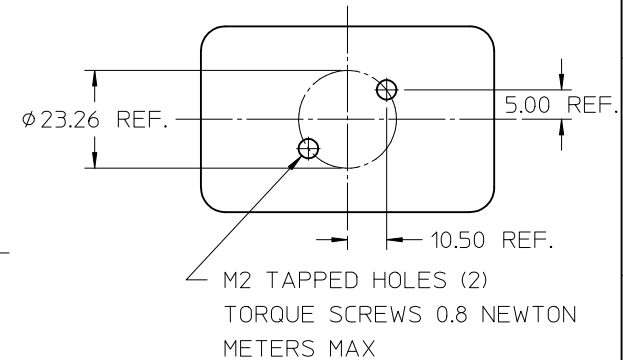
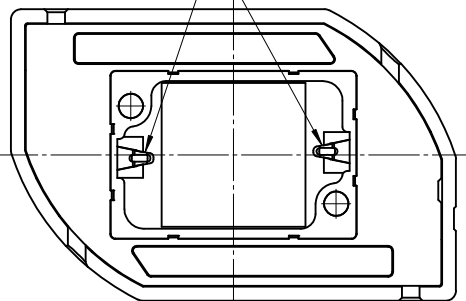


VIEW OF TWO-WAY WIRE TRAP
WIRE TRAPS ACCOMMODATE 20 GAUGE WIRE

DETAIL SCALE 3:1



LED HOLDER WITH COVER PART NUMBER 180250-0001



RECOMMENDED MOUNTING DIMENSIONS (NTS)

ENTER DESCRIPTION EC NO: SSL2012-0041 DRAWN: FJAKLIC 2011/11/01 CHKD: APPR: DMCGOWAN 2011/11/02 DESCRIPTION REV A1	QUALITY SYMBOLS $\nabla = 0$ $\nabla = 0$ $\nabla = 0$	GENERAL TOLERANCES (UNLESS SPECIFIED) <table border="1"> <thead> <tr> <th></th> <th>mm</th> <th>INCH</th> </tr> </thead> <tbody> <tr> <td>4 PLACES</td> <td>± ---</td> <td>± ---</td> </tr> <tr> <td>3 PLACES</td> <td>± ---</td> <td>± ---</td> </tr> <tr> <td>2 PLACES</td> <td>± 0.13</td> <td>± ---</td> </tr> <tr> <td>1 PLACE</td> <td>± 0.25</td> <td>± ---</td> </tr> <tr> <td colspan="3">ANGULAR ± 1/2°</td> </tr> </tbody> </table>		mm	INCH	4 PLACES	± ---	± ---	3 PLACES	± ---	± ---	2 PLACES	± 0.13	± ---	1 PLACE	± 0.25	± ---	ANGULAR ± 1/2°			DIMENSION STYLE MM ONLY DRAWN BY DATE FJAKLIC 2011/06/08 CHECKED BY DATE APPROVED BY DATE DMCGOWAN 2011/06/21 MATERIAL NO.	SCALE 2:1 TITLE ILLUMITEX 500 LED HOLDER	DESIGN UNITS METRIC THIRD ANGLE PROJECTION
		mm	INCH																				
	4 PLACES	± ---	± ---																				
	3 PLACES	± ---	± ---																				
2 PLACES	± 0.13	± ---																					
1 PLACE	± 0.25	± ---																					
ANGULAR ± 1/2°																							
DRAFT WHERE APPLICABLE MUST REMAIN WITHIN DIMENSIONS		SEE CHART	MOLEX INCORPORATED DOCUMENT NO. SD-180250-001	SHEET NO. 2 OF 2																			
THIS DRAWING CONTAINS INFORMATION THAT IS PROPRIETARY TO MOLEX INCORPORATED AND SHOULD NOT BE USED WITHOUT WRITTEN PERMISSION																							