



Chipsmall Limited consists of a professional team with an average of over 10 year of expertise in the distribution of electronic components. Based in Hongkong, we have already established firm and mutual-benefit business relationships with customers from,Europe,America and south Asia,supplying obsolete and hard-to-find components to meet their specific needs.

With the principle of "Quality Parts,Customers Priority,Honest Operation,and Considerate Service",our business mainly focus on the distribution of electronic components. Line cards we deal with include Microchip,ALPS,ROHM,Xilinx,Pulse,ON,Everlight and Freescale. Main products comprise IC,Modules,Potentiometer,IC Socket,Relay,Connector.Our parts cover such applications as commercial,industrial, and automotives areas.

We are looking forward to setting up business relationship with you and hope to provide you with the best service and solution. Let us make a better world for our industry!



Contact us

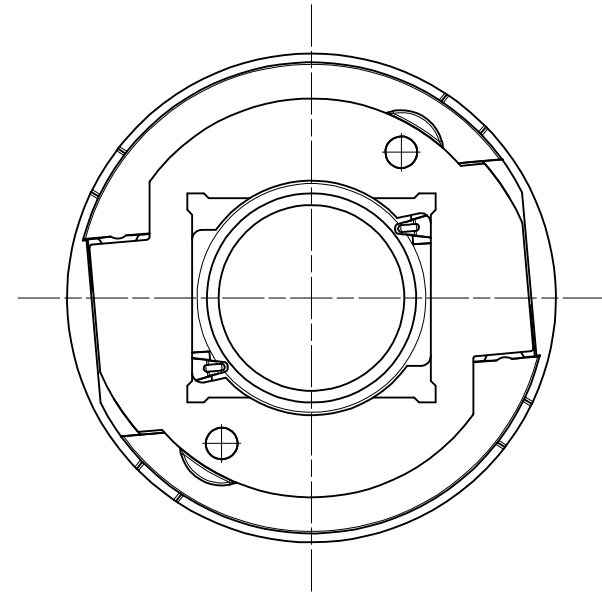
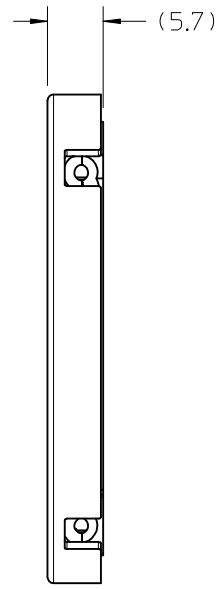
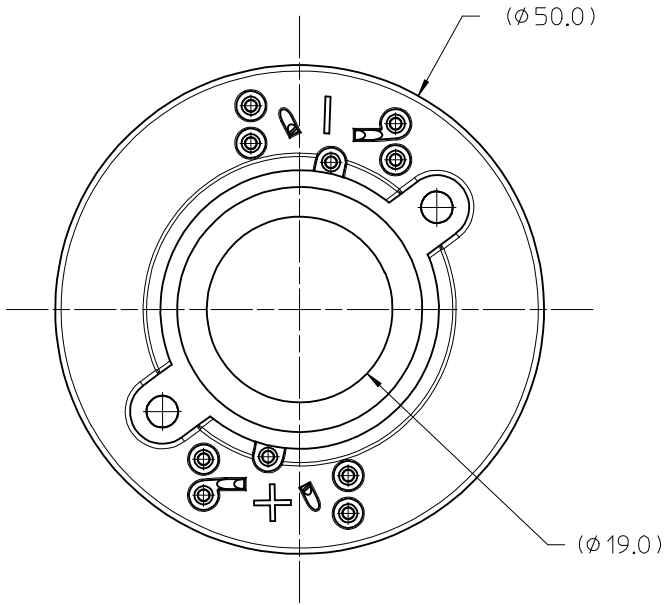
Tel: +86-755-8981 8866 Fax: +86-755-8427 6832

Email & Skype: info@chipsmall.com Web: www.chipsmall.com

Address: A1208, Overseas Decoration Building, #122 Zhenhua RD., Futian, Shenzhen, China



10 9 8 7 6 5 4 3 2 1



NOTES:

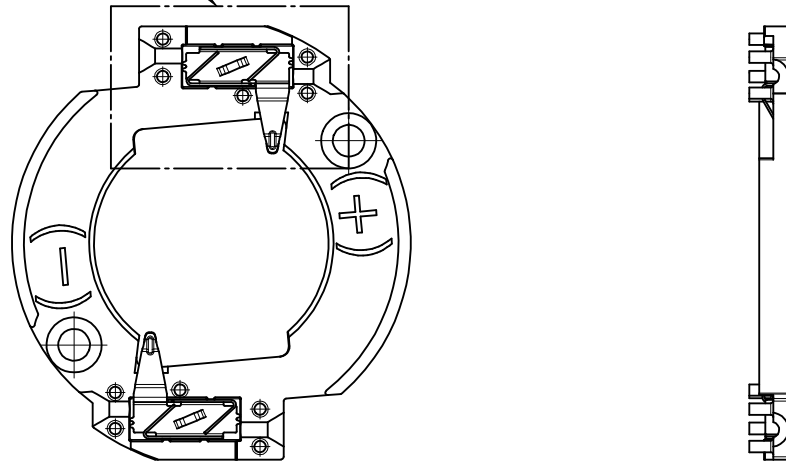
1. MATERIALS: COVER: POLYESTER (PBT) GF UL94V-0, COLOR WHITE; HOUSING: NYLON (PA66) GF UL94V-0, COLOR NATURAL; TERMINAL: COPPER ALLOY
2. FINISHES: LED CONTACT: GOLD OVER NICKEL, WIRE TRAP: TIN OVER NICKEL
3. PRODUCT SPECIFICATION: PS-180330-003
4. PACKGING SPECIFICATION: PK-180336-103
5. APPLICATION SPECIFICATION: AS-180328-001
6. APPLICABLE WIRE GAUGE - 18, 20, AND 22 AWG
 - A. TINNED SOLID WIRE IS PREFERRED
 - B. FOR STRANDED WIRE, PRE-TINNED IS RECOMMENDED
 - C. 10 mm +2/-0 mm STRIP LENGTH IS RECOMMENDED
7. THIS PRODUCT IS ELV AND ROHS COMPLIANT.
8. ALL DIMENSIONS IN PARENTHESIS (XX.XX) ARE FOR REFERENCE ONLY.
9. UL:0LFB2 UL496 FILE: E345583.

ENTER DESCRIPTION EC NO: SSL2017-0012 DRWNLZABJANOVSKI 2016/08/16 CHKD: APPR:GMEYER 2016/09/21	QUALITY SYMBOLS ∇/0 ∇/0 ∇/0	GENERAL TOLERANCES (UNLESS SPECIFIED)		DIMENSION STYLE		SCALE	DESIGN UNITS	THIRD ANGLE PROJECTION			
				MM ONLY		2:1	METRIC				
						DRAWN BY	DATE	TITLE			
						MATERIAL NO.	DATE	COB LED HOLDER-ZHAGA 24.0MM X 20.0MM RECTANGULAR COB			
		4 PLACES ± --- ± --- 3 PLACES ± --- ± --- 2 PLACES ± 0.13 ± --- 1 PLACE ± 0.25 ± --- ANGULAR ± 1/2°		MDEVITO 2012/02/10 CHECKED BY DATE MCOLE 2014/03/05 APPROVED BY DATE DMCGOWAN 2012/04/26		MOLEX INCORPORATED DOCUMENT NO.		SHEET NO. 1 OF 3			
		DRAFT WHERE APPLICABLE MUST REMAIN WITHIN DIMENSIONS		1803300003		SD-180330-003					
				THIS DRAWING CONTAINS INFORMATION THAT IS PROPRIETARY TO MOLEX INCORPORATED AND SHOULD NOT BE USED WITHOUT WRITTEN PERMISSION							

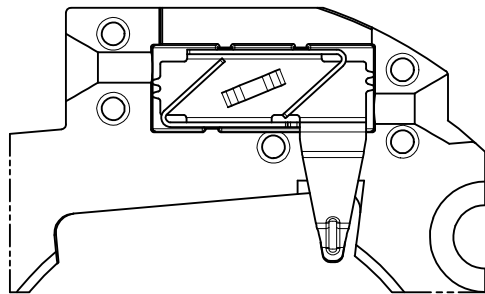
9 8 7 6 5 4 3 2 1

10 9 8 7 6 5 4 3 2 1

SEE DETAIL A



COVER REMOVED FROM FRONT VIEW FOR CLARITY



DETAIL A
Scale 4:1

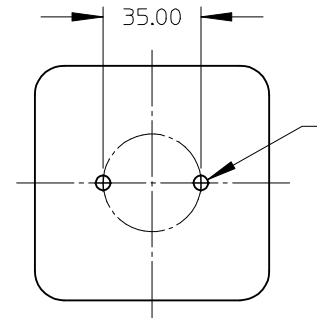
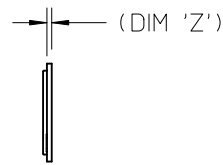
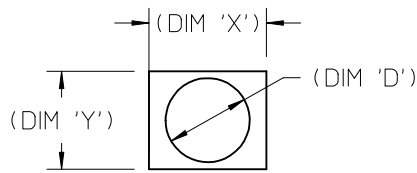
VIEW OF TWO-WAY WIRE TRAP

WIRE TRAPS WILL ACCOMODATE
EITHER 18, 20, OR 22 GAUGE WIRE

ENTER DESCRIPTION EC NO: SSL2017-0012 DRWNL:ZAB,JANOVSKI 2016/08/16 CHKD: APPR:GMEYER 2016/09/21 C3	QUALITY SYMBOLS $\nabla F=0$ $\nabla F=0$ $\nabla F=0$	GENERAL TOLERANCES (UNLESS SPECIFIED) <table border="1"> <thead> <tr> <th></th> <th>mm</th> <th>INCH</th> </tr> </thead> <tbody> <tr> <td>4 PLACES</td> <td>\pm---</td> <td>\pm---</td> </tr> <tr> <td>3 PLACES</td> <td>\pm---</td> <td>\pm---</td> </tr> <tr> <td>2 PLACES</td> <td>± 0.13</td> <td>\pm---</td> </tr> <tr> <td>1 PLACE</td> <td>± 0.25</td> <td>\pm---</td> </tr> </tbody> </table> ANGULAR $\pm 1/2^\circ$		mm	INCH	4 PLACES	\pm ---	\pm ---	3 PLACES	\pm ---	\pm ---	2 PLACES	± 0.13	\pm ---	1 PLACE	± 0.25	\pm ---	DIMENSION STYLE MM ONLY DRAWN BY: MDEVITO DATE: 2012/02/10 CHECKED BY: DATE: MCOLE 2014/03/05 APPROVED BY: DMCGOWAN DATE: 2012/04/26 MATERIAL NO.	SCALE: 2:1 DESIGN UNITS: METRIC THIRD ANGLE PROJECTION	TITLE COB LED HOLDER-ZHAGA 24.0MM X 20.0MM RECTANGULAR COB molex MOLEX INCORPORATED
		mm	INCH																	
	4 PLACES	\pm ---	\pm ---																	
	3 PLACES	\pm ---	\pm ---																	
2 PLACES	± 0.13	\pm ---																		
1 PLACE	± 0.25	\pm ---																		
DRAFT WHERE APPLICABLE MUST REMAIN WITHIN DIMENSIONS	DOCUMENT NO. 1803300003	SHEET NO. 2 OF 3																		
SIZE B	THIS DRAWING CONTAINS INFORMATION THAT IS PROPRIETARY TO MOLEX INCORPORATED AND SHOULD NOT BE USED WITHOUT WRITTEN PERMISSION																			

9 8 7 6 5 4 3 2 1

10	9	8	7	6	5	4	3	2	1
COB MFG.	TYPE	DIM. 'X'	DIM. 'Y'	DIM. 'Z'	DIM. 'D'				
SHARP	MEGA ZENIGATA	24.0	20.0	1.0	17.2				
LUMILEDS	LUXEON 1204	24.0	20.0	1.0	15.5				
LUMILEDS	LUXEON 1205	24.0	20.0	1.0	15.5				
LUMILEDS	LUXEON 1208	24.0	20.0	1.0	17.5				
EVERLIGHT	EAHP2024W**	24.0	20.0	1.0	17.5				



M3 OR 4-40 TAPPED HOLES (2)
TORQUE: CERAMIC 0.20 N-M MIN TO 0.40 N-M MAX
ALUMINUM 0.40 N-M MIN TO 0.80 N-M MAX

COB LED
SCALE 1:1

RECOMMENDED MOUNTING DIMENSIONS
(NOT TO SCALE)

ENTER DESCRIPTION EC NO: SSL2017-0012 DRWNL:ZAB.JANOVSKI 2016/08/16 CHKD: APPR:GMEYER 2016/09/21 REV	QUALITY SYMBOLS	GENERAL TOLERANCES (UNLESS SPECIFIED)		DIMENSION STYLE MM ONLY		SCALE 2:1	DESIGN UNITS METRIC	THIRD ANGLE PROJECTION
	$\nabla F/0$	mm	INCH	DRAWN BY MDEVITO	DATE 2012/02/10	COB LED HOLDER-ZHAGA 24.0MM X 20.0MM RECTANGULAR COB molex		
	$\nabla F/0$	4 PLACES \pm ---	\pm ---	CHECKED BY MCOLE	DATE 2014/03/05			
	$\nabla F/0$	3 PLACES \pm ---	\pm ---	APPROVED BY DMCGOWAN	DATE 2012/04/26	MATERIAL NO. 1803300003	DOCUMENT NO. SD-180330-003	SHEET NO. 3 OF 3
	$\nabla F/0$	2 PLACES \pm 0.13	\pm ---	DRAFT WHERE APPLICABLE MUST REMAIN WITHIN DIMENSIONS		THIS DRAWING CONTAINS INFORMATION THAT IS PROPRIETARY TO MOLEX INCORPORATED AND SHOULD NOT BE USED WITHOUT WRITTEN PERMISSION		
		1 PLACE \pm 0.25	\pm ---	ANGULAR \pm 1/2°				
		0 PLACE \pm ---	\pm ---					