



Chipsmall Limited consists of a professional team with an average of over 10 year of expertise in the distribution of electronic components. Based in Hongkong, we have already established firm and mutual-benefit business relationships with customers from,Europe,America and south Asia,supplying obsolete and hard-to-find components to meet their specific needs.

With the principle of “Quality Parts,Customers Priority,Honest Operation,and Considerate Service”,our business mainly focus on the distribution of electronic components. Line cards we deal with include Microchip,ALPS,ROHM,Xilinx,Pulse,ON,Everlight and Freescale. Main products comprise IC,Modules,Potentiometer,IC Socket,Relay,Connector.Our parts cover such applications as commercial,industrial, and automotives areas.

We are looking forward to setting up business relationship with you and hope to provide you with the best service and solution. Let us make a better world for our industry!



Contact us

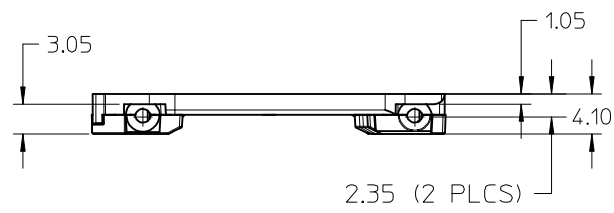
Tel: +86-755-8981 8866 Fax: +86-755-8427 6832

Email & Skype: info@chipsmall.com Web: www.chipsmall.com

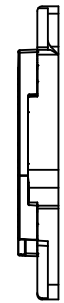
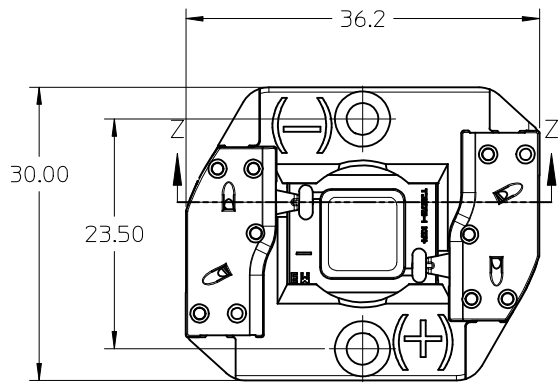
Address: A1208, Overseas Decoration Building, #122 Zhenhua RD., Futian, Shenzhen, China



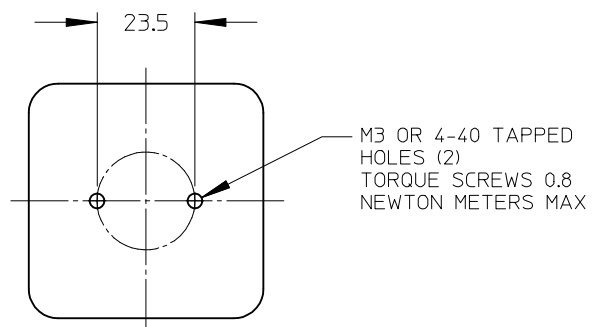
10 9 8 7 6 5 4 3 2 1



SECTION Z-Z



- 1) MATERIALS:
 a. CAPS: NATURAL COLOR PA66 NYLON 25% GF UL94V-0
 b. HOUSING: NATURAL COLOR PA66 NYLON 25% GF UL94V-0
 2) WIRE TRAP TERMINALS: COPPER ALLOY
 a. FINISH: GOLD OVER NICKEL
 3) THIS PRODUCT IS ELV AND ROHS COMPLIANT
 4) APPLICABLE WIRE GAUGE - 18 OR 20 AWG
 a. SOLID WIRE IS RECOMMENDED
 b. IF STRANDED WIRE IS USED, PRE-TINNED IS RECOMMENDED
 c. 1 cm +2/-0 mm STRIP LENGTH IS RECOMMENDED
 5) MOUNT HOLDER USING M3 OR 4-40 SCREWS (2), 0.8 NEWTON METERS MAX TORQUE
 6) UL RECOGNITION TO UL496 - PENDING
 c-UL RECOGNITION TO CSA-C22.2 NO. 43 (2008) - PENDING
 RATED 600V
 UL FILE NUMBER: PENDING



RECOMMENDED MOUNTING DIMENSIONS (NTS)

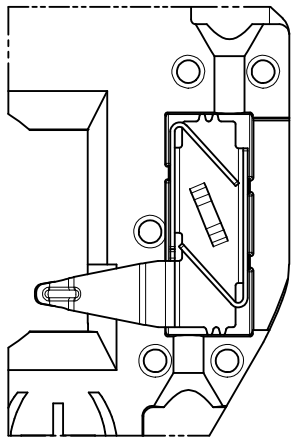
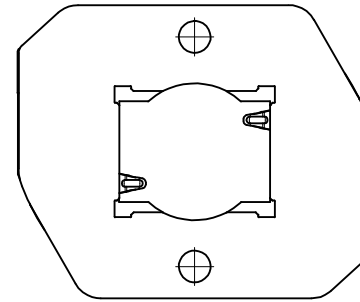
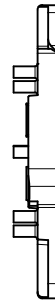
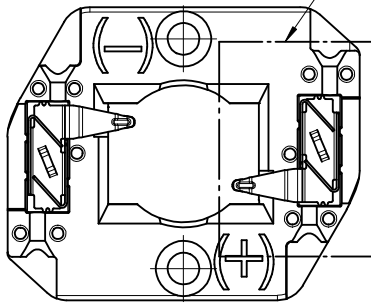
ENTER DESCRIPTION EC NO: SSL2013-0097 DRW: MCCARRANZA 2013/03/06 CHKD: APPR: DMCGOWAN 2013/03/06 REV	QUALITY SYMBOLS	GENERAL TOLERANCES (UNLESS SPECIFIED)	DIMENSION STYLE	SCALE	DESIGN UNITS	THIRD ANGLE PROJECTION
	▽/0	mm INCH	MM ONLY	2:1	METRIC	◎ □
	▽/0	4 PLACES ± --- ± ---	DRAWN BY DATE	TITLE		
	▽/0	3 PLACES ± --- ± ---	MDEVITO 2012/02/03	SHARP MINI ZENIGATA		
	2 PLACES ± 0.13 ± ---	CHECKED BY DATE	APPROVED BY DATE			
	1 PLACE ± 0.25 ± ---		DMCGOWAN 2012/02/07			
	ANGULAR ± 1/2°	MATERIAL NO.		DOCUMENT NO.		SHEET NO.
DRAFT WHERE APPLICABLE MUST REMAIN WITHIN DIMENSIONS		1803900002		SD-180390-002		1 OF 2
THIS DRAWING CONTAINS INFORMATION THAT IS PROPRIETARY TO MOLEX INCORPORATED AND SHOULD NOT BE USED WITHOUT WRITTEN PERMISSION						

9 8 7 6 5 4 3 2 1

10 9 8 7 6 5 4 3 2 1

NOTE: WIRE TRAP CAPS ARE REMOVED FOR CLARITY

SEE DETAIL A



VIEW OF TWO-WAY WIRE TRAP

WIRE TRAPS CAN ACCOMMODATE
18 OR 20 GAUGE WIRE

DETAIL A
Scale 4:1

ENTER DESCRIPTION EC NO: SSL2013-0097 DRAWN: CARRANZA 2013/03/06 CHKD: APPR: DMCGOWAN 2013/03/06 REV	QUALITY SYMBOLS	GENERAL TOLERANCES (UNLESS SPECIFIED)		DIMENSION STYLE MM ONLY		SCALE 2:1	DESIGN UNITS METRIC	THIRD ANGLE PROJECTION	
	$\nabla = 0$	mm	INCH	DRAWN BY MDEVITO	DATE 2012/02/03	TITLE SHARP MINI ZENIGATA			
	$\nabla = 0$	4 PLACES ± ---	± ---	CHECKED BY	DATE				
	$\nabla = 0$	3 PLACES ± ---	± ---	APPROVED BY DMCGOWAN		DATE 2012/02/07	MOLEX INCORPORATED DOCUMENT NO. SD-180390-002		SHEET NO. 2 OF 2
	$\nabla = 0$	2 PLACES ± 0.13	± ---	MATERIAL NO. 1803900002		SIZE B			THIS DRAWING CONTAINS INFORMATION THAT IS PROPRIETARY TO MOLEX INCORPORATED AND SHOULD NOT BE USED WITHOUT WRITTEN PERMISSION
		1 PLACE ± 0.25	± ---	ANGULAR ± 1/2°		DRAFT WHERE APPLICABLE MUST REMAIN WITHIN DIMENSIONS			

9 8 7 6 5 4 3 2 1