



Chipsmall Limited consists of a professional team with an average of over 10 year of expertise in the distribution of electronic components. Based in Hongkong, we have already established firm and mutual-benefit business relationships with customers from,Europe,America and south Asia,supplying obsolete and hard-to-find components to meet their specific needs.

With the principle of “Quality Parts,Customers Priority,Honest Operation,and Considerate Service”,our business mainly focus on the distribution of electronic components. Line cards we deal with include Microchip,ALPS,ROHM,Xilinx,Pulse,ON,Everlight and Freescale. Main products comprise IC,Modules,Potentiometer,IC Socket,Relay,Connector.Our parts cover such applications as commercial,industrial, and automotives areas.

We are looking forward to setting up business relationship with you and hope to provide you with the best service and solution. Let us make a better world for our industry!



Contact us

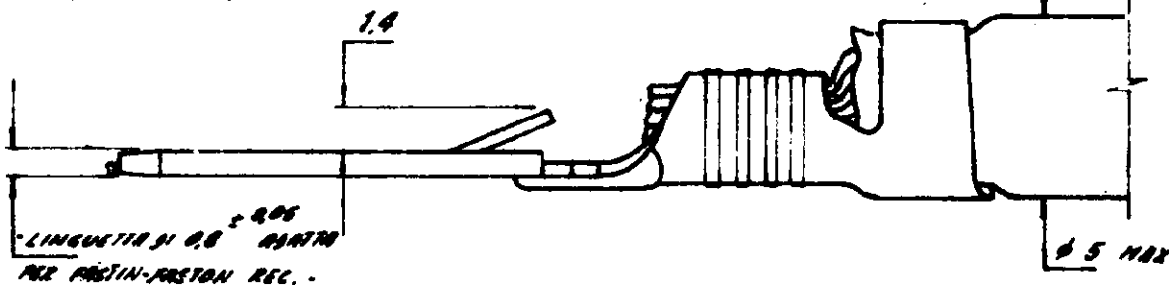
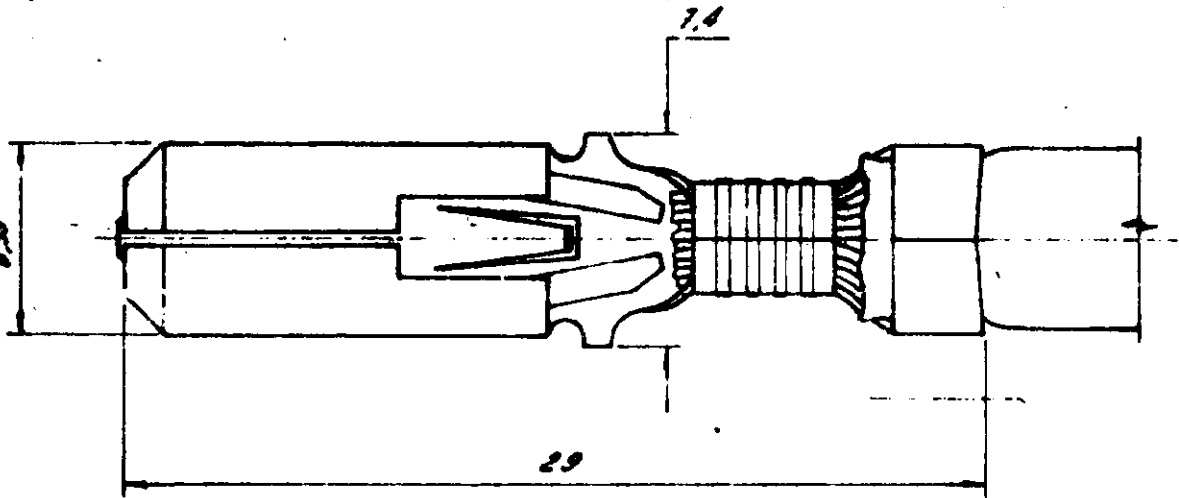
Tel: +86-755-8981 8866 Fax: +86-755-8427 6832

Email & Skype: info@chipsmall.com Web: www.chipsmall.com

Address: A1208, Overseas Decoration Building, #122 Zhenhua RD., Futian, Shenzhen, China




1 OBSOLETE PARTS: OBSOLETE CIS STREAMLINING PER D.RENAUD/D.SINISI



PROFILI E FINITURA	NUMERO LOOSE PIECE
...	180409-1
...	180409-2
...	180409-3
...	180409-4
...	180409-5
...	180409-6

OBSOLETE 
OBSOLETE 
OBSOLETE 

O1	REVISED PER ECO-09-026346	KK	AEG	26 NOV 09	© 1971 AMP INCORPORATED. ALL RIGHTS RESERVED. AMP AND CIS ARE TRADE MARKS OF AMP INCORPORATED. PATENTS AND/OR PATENTS PENDING.	CUSTOMER COPY REFERENCE ONLY
					WATER TIGHT FINISH	
					SEE TABLE	CLASS
					WIRE TYPE	WIRE TRN PIG
					INSULATION	TYP
					4-6 WIRE	AUTO MACH
					TOLL FREE EXCEPT AS NOTED	SCALE
					4-6	1 A
					NO	NO
					6-180403	REV 01
					250 SERIES FASTIN TRB	