



Chipsmall Limited consists of a professional team with an average of over 10 year of expertise in the distribution of electronic components. Based in Hongkong, we have already established firm and mutual-benefit business relationships with customers from,Europe,America and south Asia,supplying obsolete and hard-to-find components to meet their specific needs.

With the principle of “Quality Parts,Customers Priority,Honest Operation,and Considerate Service”,our business mainly focus on the distribution of electronic components. Line cards we deal with include Microchip,ALPS,ROHM,Xilinx,Pulse,ON,Everlight and Freescale. Main products comprise IC,Modules,Potentiometer,IC Socket,Relay,Connector.Our parts cover such applications as commercial,industrial, and automotives areas.

We are looking forward to setting up business relationship with you and hope to provide you with the best service and solution. Let us make a better world for our industry!



Contact us

Tel: +86-755-8981 8866 Fax: +86-755-8427 6832

Email & Skype: info@chipsmall.com Web: www.chipsmall.com

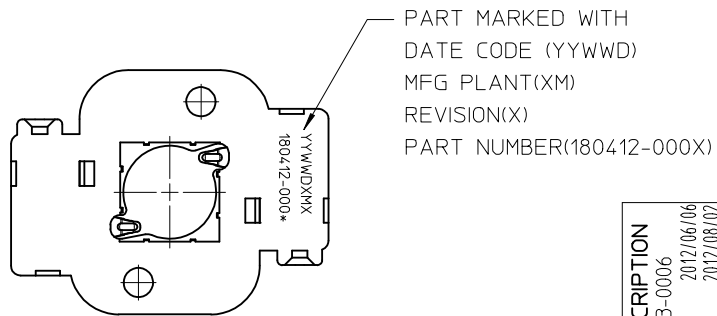
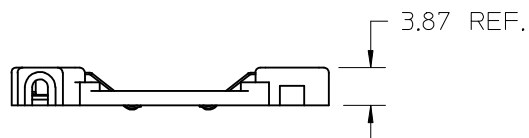
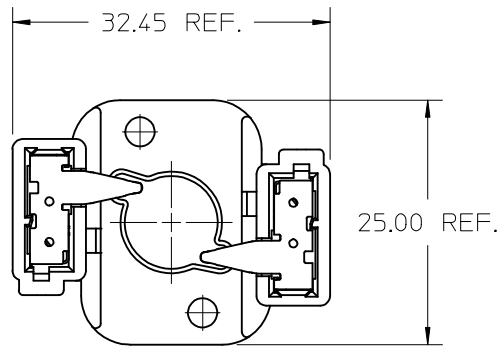
Address: A1208, Overseas Decoration Building, #122 Zhenhua RD., Futian, Shenzhen, China



10	9	8	7	6	5	4	3	2	1
PART NUMBER	DESCRIPTION								
180412-0001	CLL010 HOLDER ASSEMBLY - NO CAP								
180412-0002	CLL010 HOLDER ASSEMBLY - CAP WITH TAB								
180412-0003	CLL010 HOLDER ASSEMBLY - CAP WITHOUT TAB								

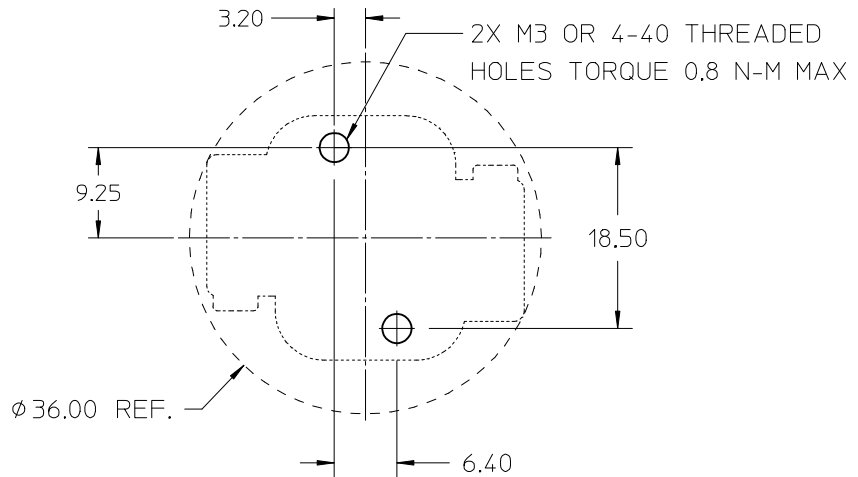
NOTES:

1. MATERIALS: HOUSING: POLYAMIDE (PA66), GLASS FILLED, UL94V-0, 5VA (89992-0289); CAP: POLYAMIDE (PA66) UNFILLED, UL94V-0 (89992-0922); TERMINAL: COPPER ALLOY
2. FINISHES: TERMINAL: NICKEL (Ni) UNDERPLATE 1.27 μm , SELECT TIN (Sn) 2.54 μm , SELECT GOLD (Au) 0.76 μm
3. PRODUCT SPECIFICATION: PS-180412-001
4. PACKAGING SPECIFICATION: PK-180412-001
5. APPLICATION SPECIFICATION: AS-180412-001
6. FOR USE WITH: CITIZEN COB SERIES CLL010 LED
7. HOLDER ASSEMBLY AVAILABLE WITH OPTIONAL CAP SEE CHART FOR PART NUMBERS
8. WIRE GAUGE: 18 OR 20 AWG, SOLID OR STRANDED WITH TIN OVERCOAT. STRIP LENGTH 1CM.
9. UL:0LFB2 UL496 FILE: E345583 (PENDING)
10. REFERENCE PS-180412-001 FOR RoHAS REQUIREMENTS.

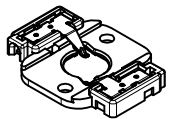


PART MARKED WITH DATE CODE (YYWDX)
MFG PLANT(XM)
REVISION(X)
PART NUMBER(180412-000X)

HOLDER ASSEMBLY - NO CAP



RECOMMENDED MOUNTING DIMENSIONS

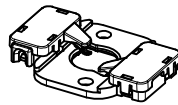
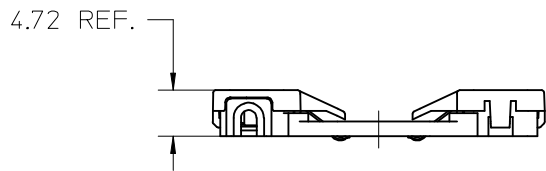
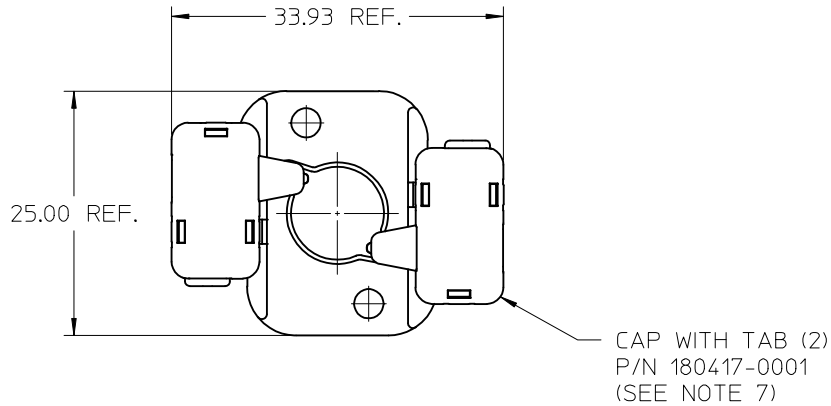


ISO VIEW
Scale 1:1

ENTER DESCRIPTION EC NO: SSL2013-0006 DRAWN: MDEVITO 2012/06/06 CHKD: FJAKLIC 2012/08/02 APPR: DMCGOWAN 2012/08/06	QUALITY SYMBOLS $\nabla F/0$ $\nabla F/0$ $\nabla F/0$	GENERAL TOLERANCES (UNLESS SPECIFIED)		DIMENSION STYLE MM ONLY		SCALE 2:1	DESIGN UNITS METRIC	THIRD ANGLE PROJECTION	
		4 PLACES \pm --- \pm --- 3 PLACES \pm --- \pm --- 2 PLACES \pm 0.13 \pm --- 1 PLACE \pm 0.25 \pm ---	mm INCH	DRAWN BY MCOLE	DATE 2012/01/30	TITLE CITIZEN COB SERIES CLL010 HOLDER ASSEMBLY			
		ANGULAR $\pm 1/2^\circ$		CHECKED BY MCOLE	DATE 2012/05/15	MOLEX INCORPORATED			
		DRAFT WHERE APPLICABLE MUST REMAIN WITHIN DIMENSIONS		MATERIAL NO. SEE CHART		APPROVED BY DATE	DOCUMENT NO. SD-180412-001	SHEET NO. 1 OF 2	
THIS DRAWING CONTAINS INFORMATION THAT IS PROPRIETARY TO MOLEX INCORPORATED AND SHOULD NOT BE USED WITHOUT WRITTEN PERMISSION									

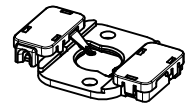
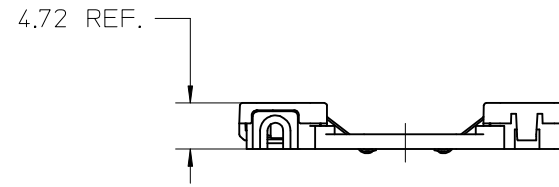
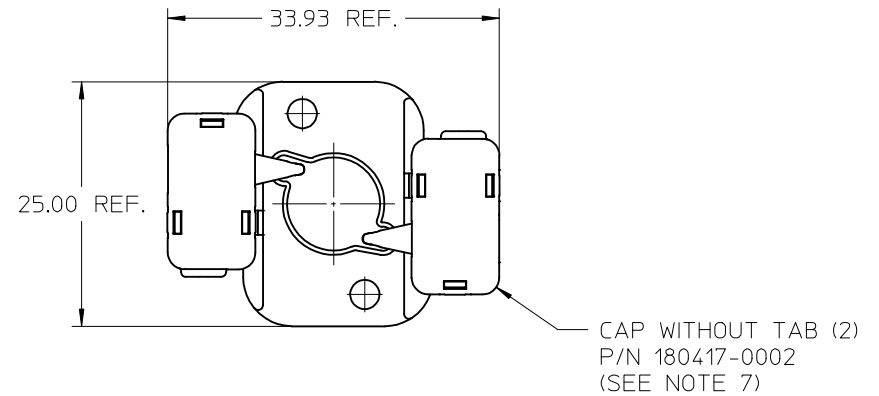
10 9 8 7 6 5 4 3 2 1

HOLDER ASSEMBLY - CAP WITH TAB



ISO VIEW
SCALE 1:1

HOLDER ASSEMBLY - CAP WITHOUT TAB



ISO VIEW
SCALE 1:1

ENTER DESCRIPTION EC NO: SSL2013-0006 DRAWN: MDEVITO 2012/06/06 CHK'D: JAKLIC 2012/08/02 APPR: DMC GOWAN 2012/08/06 REV B	QUALITY SYMBOLS ▽=0 ▽=0 ▽=0	GENERAL TOLERANCES (UNLESS SPECIFIED) <table border="1"> <thead> <tr> <th></th> <th>mm</th> <th>INCH</th> </tr> </thead> <tbody> <tr> <td>4 PLACES</td> <td>± ---</td> <td>± ---</td> </tr> <tr> <td>3 PLACES</td> <td>± ---</td> <td>± ---</td> </tr> <tr> <td>2 PLACES</td> <td>± 0.13</td> <td>± ---</td> </tr> <tr> <td>1 PLACE</td> <td>± 0.25</td> <td>± ---</td> </tr> <tr> <td>0 PLACE</td> <td>± ---</td> <td>± ---</td> </tr> </tbody> </table>		mm	INCH	4 PLACES	± ---	± ---	3 PLACES	± ---	± ---	2 PLACES	± 0.13	± ---	1 PLACE	± 0.25	± ---	0 PLACE	± ---	± ---	DIMENSION STYLE MM ONLY DRAWN BY DATE MCOLE 2012/01/30 CHECKED BY DATE MCOLE 2012/05/15 APPROVED BY DATE	SCALE 2:1	DESIGN UNITS METRIC	THIRD ANGLE PROJECTION
		mm	INCH																					
	4 PLACES	± ---	± ---																					
	3 PLACES	± ---	± ---																					
2 PLACES	± 0.13	± ---																						
1 PLACE	± 0.25	± ---																						
0 PLACE	± ---	± ---																						
TITLE CITIZEN COB SERIES CLL010 HOLDER ASSEMBLY																								
MATERIAL NO. SEE CHART																								
DOCUMENT NO. SD-180412-001																								
SHEET NO. 2 OF 2																								

9 8 7 6 5 4 3 2 1