



Chipsmall Limited consists of a professional team with an average of over 10 year of expertise in the distribution of electronic components. Based in Hongkong, we have already established firm and mutual-benefit business relationships with customers from,Europe,America and south Asia,supplying obsolete and hard-to-find components to meet their specific needs.

With the principle of “Quality Parts,Customers Priority,Honest Operation,and Considerate Service”,our business mainly focus on the distribution of electronic components. Line cards we deal with include Microchip,ALPS,ROHM,Xilinx,Pulse,ON,Everlight and Freescale. Main products comprise IC,Modules,Potentiometer,IC Socket,Relay,Connector.Our parts cover such applications as commercial,industrial, and automotives areas.

We are looking forward to setting up business relationship with you and hope to provide you with the best service and solution. Let us make a better world for our industry!



## Contact us

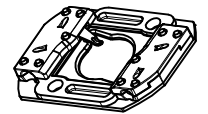
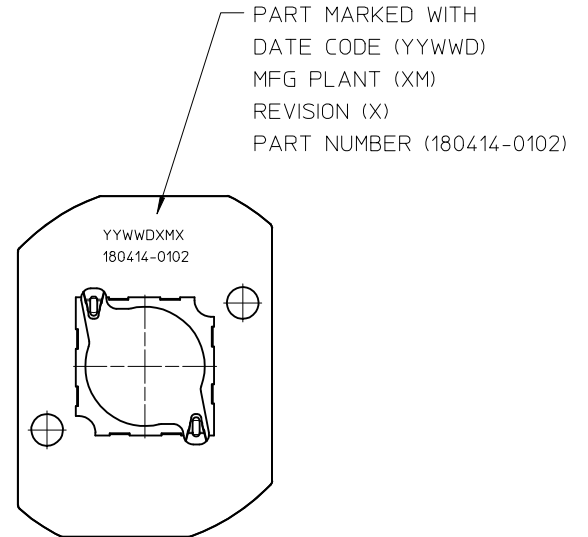
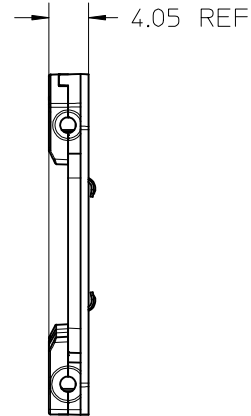
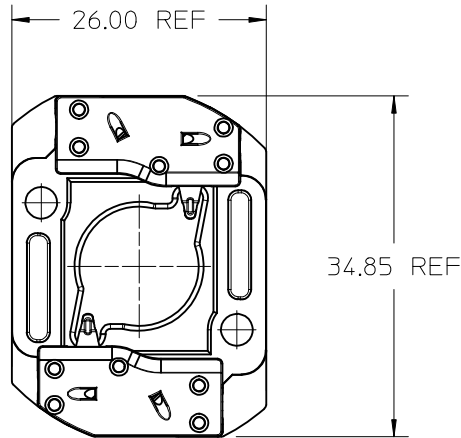
Tel: +86-755-8981 8866 Fax: +86-755-8427 6832

Email & Skype: info@chipsmall.com Web: www.chipsmall.com

Address: A1208, Overseas Decoration Building, #122 Zhenhua RD., Futian, Shenzhen, China



10 9 8 7 6 5 4 3 2 1



ISO VIEW  
SCALE 1:1

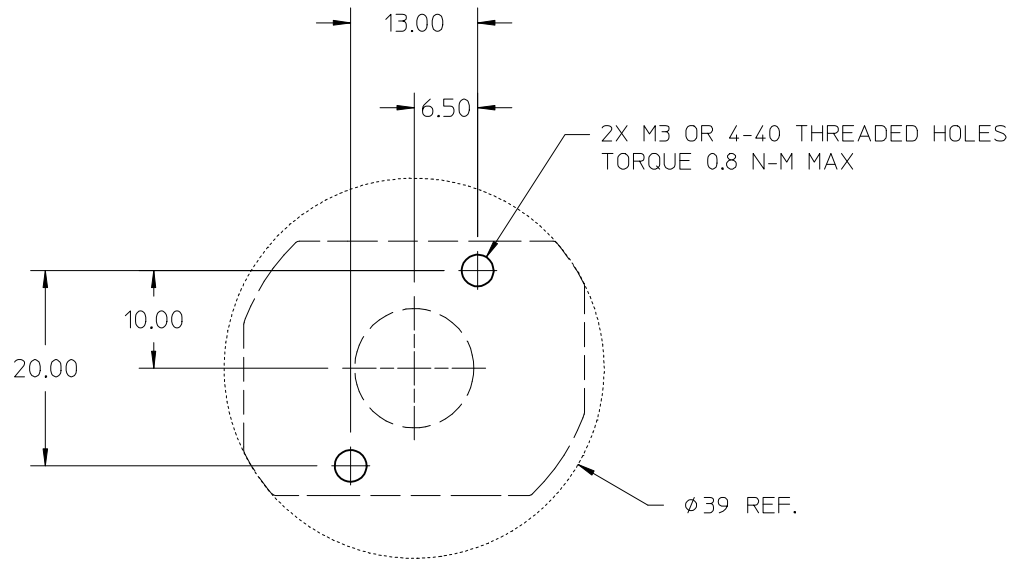
NOTES:

1. MATERIALS: HOUSING: POLYAMIDE (PA66), GLASS FILLED, UL94V-0, 5VA (89992-0289); TERMINAL: COPPER ALLOY
2. FINISHES: TERMINAL: NICKEL (Ni) UNDERPLATE 1.27  $\mu\text{m}$ , SELECT TIN (Sn) 2.54  $\mu\text{m}$ , SELECT GOLD (Au) 0.76  $\mu\text{m}$
3. PRODUCT SPECIFICATION: PS-180414-001
4. PACKAGING SPECIFICATION: PK-180414-002
5. APPLICATION SPECIFICATION: AS-180414-001
6. FOR USE WITH: CITIZEN COB SERIES CLL020 LED
7. WIRE GAUGE: 18 OR 20 AWG, SOLID OR STRANDED WITH TIN OVERCOAT. STRIP LENGTH 1CM.
8. UL:OLFB2 UL496 FILE: E345583 (PENDING)
9. REFERENCE PS-180414-001 FOR RoHAS REQUIREMENTS.

<b>ENTER DESCRIPTION</b> EC NO: SSL2013-0006 DRAWN BY: MCOLE 2012/05/24 CHKD BY: MCOLE 2012/08/06 APPR: DMCGOWAN 2012/08/06 REV: 3	QUALITY SYMBOLS $\nabla F=0$ $\nabla F=0$ $\nabla F=0$	GENERAL TOLERANCES (UNLESS SPECIFIED) <table border="1"> <thead> <tr> <th></th> <th>mm</th> <th>INCH</th> </tr> </thead> <tbody> <tr> <td>4 PLACES</td> <td><math>\pm</math>---</td> <td><math>\pm</math>---</td> </tr> <tr> <td>3 PLACES</td> <td><math>\pm</math>---</td> <td><math>\pm</math>---</td> </tr> <tr> <td>2 PLACES</td> <td><math>\pm 0.13</math></td> <td><math>\pm</math>---</td> </tr> <tr> <td>1 PLACE</td> <td><math>\pm 0.25</math></td> <td><math>\pm</math>---</td> </tr> <tr> <td>0 PLACE</td> <td><math>\pm</math>---</td> <td><math>\pm</math>---</td> </tr> </tbody> </table>		mm	INCH	4 PLACES	$\pm$ ---	$\pm$ ---	3 PLACES	$\pm$ ---	$\pm$ ---	2 PLACES	$\pm 0.13$	$\pm$ ---	1 PLACE	$\pm 0.25$	$\pm$ ---	0 PLACE	$\pm$ ---	$\pm$ ---	DIMENSION STYLE <b>MM ONLY</b>	SCALE <b>2:1</b>	DESIGN UNITS <b>METRIC</b>	THIRD ANGLE PROJECTION
		mm	INCH																					
	4 PLACES	$\pm$ ---	$\pm$ ---																					
	3 PLACES	$\pm$ ---	$\pm$ ---																					
2 PLACES	$\pm 0.13$	$\pm$ ---																						
1 PLACE	$\pm 0.25$	$\pm$ ---																						
0 PLACE	$\pm$ ---	$\pm$ ---																						
		DRAWN BY: MDEVITO CHECKED BY: MCOLE APPROVED BY: DMCGOWAN	DATE: 2012/04/16 DATE: 2012/08/06 DATE: 2012/08/06	TITLE <b>CITIZEN COB SERIES CLL020 HS HOLDER ASSEMBLY</b>																				
		MATERIAL NO. <b>1804140102</b>	DOCUMENT NO. <b>SD-180414-102</b>		SHEET NO. <b>1 OF 2</b>																			
		THIS DRAWING CONTAINS INFORMATION THAT IS PROPRIETARY TO MOLEX INCORPORATED AND SHOULD NOT BE USED WITHOUT WRITTEN PERMISSION																						

9 8 7 6 5 4 3 2 1

10 9 8 7 6 5 4 3 2 1



RECOMMENDED MOUNTING DIMENSIONS

<b>ENTER DESCRIPTION</b> EC NO: SSL2013-0006 DRAWN: MCOLE 2012/05/24 CHKD: MCOLE 2012/08/06 APPR: DMCGOWAN 2012/08/06	<b>QUALITY SYMBOLS</b> ∇/0 ∇/0 ∇/0	<b>GENERAL TOLERANCES (UNLESS SPECIFIED)</b>		<b>DIMENSION STYLE</b> MM ONLY		SCALE 2:1	DESIGN UNITS METRIC	THIRD ANGLE PROJECTION		
			mm	INCH	DRAWN BY	DATE	TITLE CITIZEN COB SERIES CLL020 HS HOLDER ASSEMBLY			
		4 PLACES	± ---	± ---	MDEVITO	2012/04/16				
		3 PLACES	± ---	± ---	CHECKED BY	DATE	MATERIAL NO. 1804120102			
2 PLACES	± 0.13	± ---	MCOLE	2012/08/06						
1 PLACE	± 0.25	± ---	APPROVED BY	DATE	DOCUMENT NO. SD-180414-102		SHEET NO. 2 OF 2			
0 PLACE	± ---	± ---	DMCGOWAN	2012/08/06	THIS DRAWING CONTAINS INFORMATION THAT IS PROPRIETARY TO MOLEX INCORPORATED AND SHOULD NOT BE USED WITHOUT WRITTEN PERMISSION					

9 8 7 6 5 4 3 2 1