



Chipsmall Limited consists of a professional team with an average of over 10 year of expertise in the distribution of electronic components. Based in Hongkong, we have already established firm and mutual-benefit business relationships with customers from,Europe,America and south Asia,supplying obsolete and hard-to-find components to meet their specific needs.

With the principle of “Quality Parts,Customers Priority,Honest Operation,and Considerate Service”,our business mainly focus on the distribution of electronic components. Line cards we deal with include Microchip,ALPS,ROHM,Xilinx,Pulse,ON,Everlight and Freescale. Main products comprise IC,Modules,Potentiometer,IC Socket,Relay,Connector.Our parts cover such applications as commercial,industrial, and automotives areas.

We are looking forward to setting up business relationship with you and hope to provide you with the best service and solution. Let us make a better world for our industry!



## Contact us

Tel: +86-755-8981 8866 Fax: +86-755-8427 6832

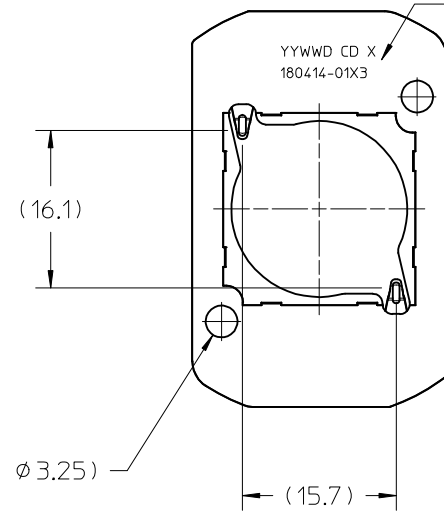
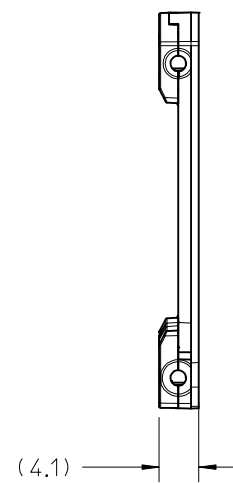
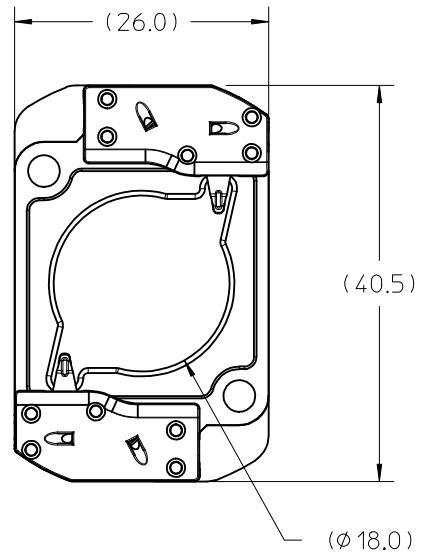
Email & Skype: info@chipsmall.com Web: www.chipsmall.com

Address: A1208, Overseas Decoration Building, #122 Zhenhua RD., Futian, Shenzhen, China

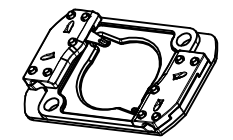


10	9	8	7	6	5	4	3	2	1
PART NUMBER	DESCRIPTION				MATERIAL			AGENCY APPROVAL	
180414-0103	COB LED HOLDER 19.0MM X 19.0MM SQUARE				POLYAMIDE (PA66) GLASS FILLED, COLOR: NATURAL			UL496 FILE E345583	
180414-0113	COB LED HOLDER 19.0MM X 19.0MM SQUARE				POLYESTER (PBT) GLASS FILLED, COLOR: WHITE			UL496 FILE E345583	
180414-0203	COB LED HOLDER 19.0MM X 19.0MM SQUARE WITH TAB CAP				POLYAMIDE (PA66) GLASS FILLED, COLOR: NATURAL			UL496 FILE E345583	
180414-0213	COB LED HOLDER 19.0MM X 19.0MM SQUARE WITH TAB CAP				POLYESTER (PBT) GLASS FILLED, COLOR: WHITE			UL496 FILE E345583	

HOLDER ASSEMBLY  
P/N 180414-0103  
P/N 180414-0113



PART MARKED WITH  
DATE CODE (YYWWD)  
MFG PLANT (CD)  
REVISION (X)  
PART NUMBER (180414-01X3)



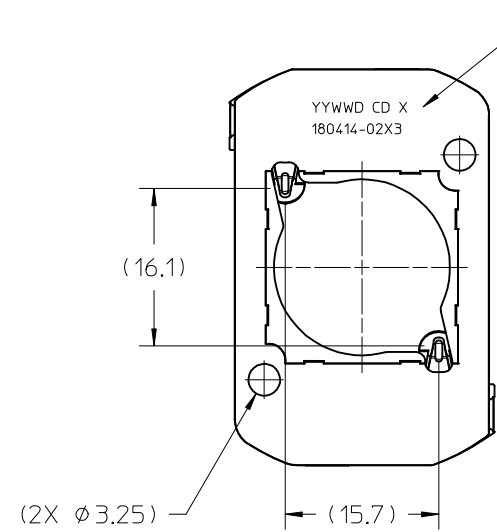
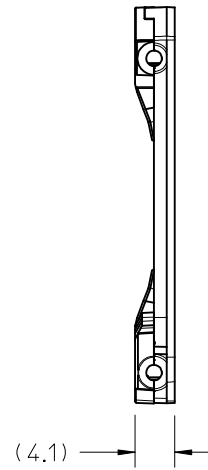
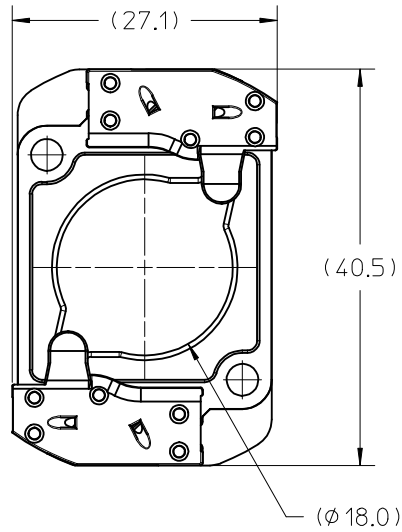
ISOMETRIC VIEW 1  
SCALE 1:1

- NOTES:
1. MATERIALS: HOUSING: SEE CHART; TERMINAL: COPPER ALLOY
  2. FINISHES: TERMINAL: NICKEL (Ni) UNDERPLATE 1.27  $\mu$ m, SELECT TIN (Sn) 2.54  $\mu$ m, SELECT GOLD (Au) 0.76  $\mu$ m
  3. PRODUCT SPECIFICATION: PS-180414-001
  4. PACKAGING SPECIFICATION: PK-180419-006
  5. APPLICATION SPECIFICATION: AS-180412-001
  6. SEE SHEET 3 FOR APPLICATION NOTES
  7. ELV AND ROHS COMPLIANT
  8. ALL DIMENSIONS IN PARENTHESIS (XX.XX) ARE FOR REFERENCE ONLY.

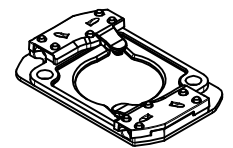
ENTER DESCRIPTION EC NO: SSL2017-0012 DRWNL:ZABJANOVSKI 2016/08/16 CHKD: APPR:GMEYER 2016/09/21 REV	QUALITY SYMBOLS	GENERAL TOLERANCES (UNLESS SPECIFIED)	DIMENSION STYLE MM ONLY		SCALE 2:1	DESIGN UNITS METRIC	THIRD ANGLE PROJECTION	
	$\nabla F=0$	mm INCH	DRAWN BY MDEVITO	DATE 2012/04/16	TITLE COB LED HOLDER 19.0 MM X 19.0 MM SQUARE			
	$\nabla E=0$	4 PLACES $\pm$ --- $\pm$ ---	CHECKED BY MCOLE	DATE 2012/08/06				
	$\nabla E=0$	3 PLACES $\pm$ --- $\pm$ ---	APPROVED BY DMCGOWAN	DATE 2012/08/06	MATERIAL NO.	DOCUMENT NO. SD-180414-103	SHEET NO. 1 OF 4	
$\nabla E=0$	2 PLACES $\pm$ 0.13 $\pm$ ---	DRAFT WHERE APPLICABLE MUST REMAIN WITHIN DIMENSIONS		SIZE B	THIS DRAWING CONTAINS INFORMATION THAT IS PROPRIETARY TO MOLEX INCORPORATED AND SHOULD NOT BE USED WITHOUT WRITTEN PERMISSION			

10 9 8 7 6 5 4 3 2 1

HOLDER ASSEMBLY WITH TAB CAP  
P/N 180414-0203  
P/N 180414-0213



PART MARKED WITH  
DATE CODE (YYWWD)  
MFG PLANT (CD)  
REVISION (X)  
PART NUMBER (180414-02X3)

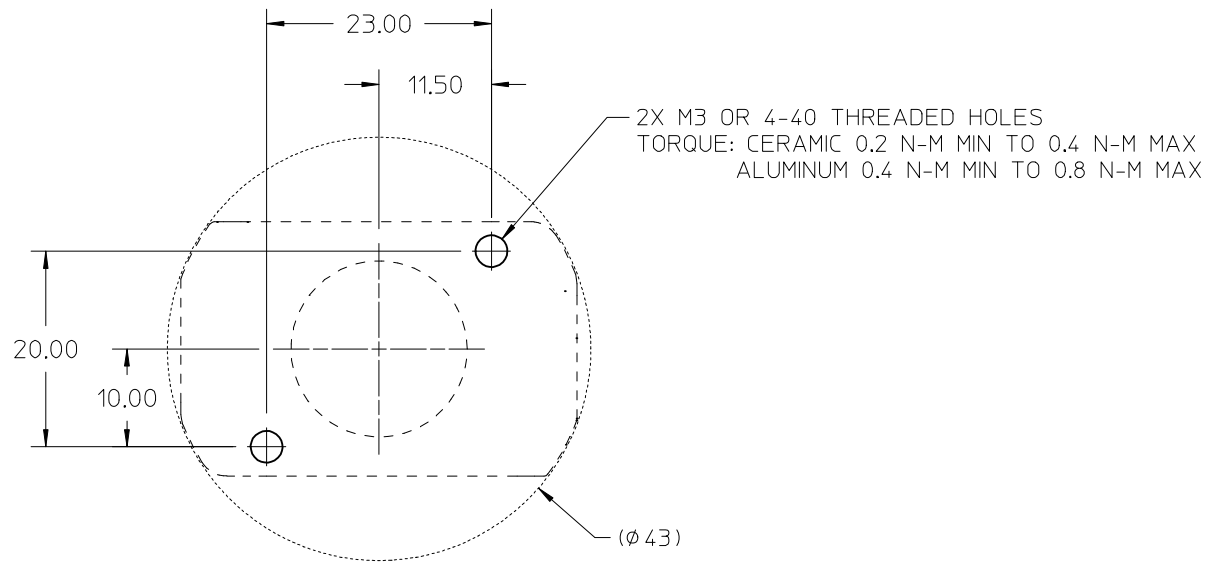


ISOMETRIC VIEW 2  
SCALE 1:1

<b>ENTER DESCRIPTION</b> EC NO: SSL2017-0012 DRWNL:ZAB,JANOVSKI 2016/08/16 CHKD: APPR:GMEYER 2016/09/21 REV	<b>QUALITY SYMBOLS</b> $\nabla F/0$ $\nabla F/0$ $\nabla F/0$	<b>GENERAL TOLERANCES (UNLESS SPECIFIED)</b> <table border="1"> <thead> <tr> <th></th> <th>mm</th> <th>INCH</th> </tr> </thead> <tbody> <tr> <td>4 PLACES</td> <td>± ---</td> <td>± ---</td> </tr> <tr> <td>3 PLACES</td> <td>± ---</td> <td>± ---</td> </tr> <tr> <td>2 PLACES</td> <td>± 0.13</td> <td>± ---</td> </tr> <tr> <td>1 PLACE</td> <td>± 0.25</td> <td>± ---</td> </tr> <tr> <td>0 PLACE</td> <td>± ---</td> <td>± ---</td> </tr> </tbody> </table>		mm	INCH	4 PLACES	± ---	± ---	3 PLACES	± ---	± ---	2 PLACES	± 0.13	± ---	1 PLACE	± 0.25	± ---	0 PLACE	± ---	± ---	<b>DIMENSION STYLE</b> <b>MM ONLY</b> DRAWN BY: MDEVITO DATE: 2012/04/16 CHECKED BY: MCOLE DATE: 2012/08/06 APPROVED BY: DMCGOWAN DATE: 2012/08/06 MATERIAL NO.	SCALE: 2:1 DESIGN UNITS: METRIC THIRD ANGLE PROJECTION	TITLE: <b>COB LED HOLDER</b> <b>19.0 MM X 19.0 MM SQUARE</b> <b>molex</b> DOCUMENT NO.: SD-180414-103 SHEET NO.: 2 OF 4
		mm	INCH																				
	4 PLACES	± ---	± ---																				
	3 PLACES	± ---	± ---																				
2 PLACES	± 0.13	± ---																					
1 PLACE	± 0.25	± ---																					
0 PLACE	± ---	± ---																					
<b>B3</b>	ANGULAR ±1/2° DRAFT WHERE APPLICABLE MUST REMAIN WITHIN DIMENSIONS	<b>SEE CHART</b> SIZE B THIS DRAWING CONTAINS INFORMATION THAT IS PROPRIETARY TO MOLEX INCORPORATED AND SHOULD NOT BE USED WITHOUT WRITTEN PERMISSION																					

9 8 7 6 5 4 3 2 1

10 9 8 7 6 5 4 3 2 1



RECOMMENDED MOUNTING DIMENSIONS

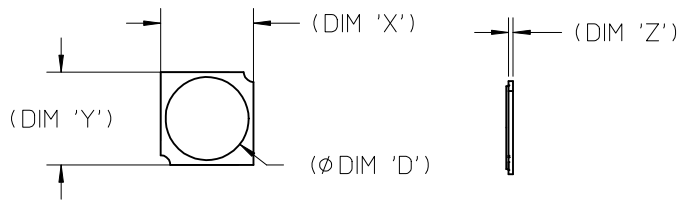
NOTES:

1. WIRE GAUGE: 18, 20, OR 22 AWG, SOLID OR STRANDED WITH TIN OVERCOAT. STRIP LENGTH 10MM +2.0/-0.0MM. RECOMMENDED MAXIMUM DIAMETER AFTER TINNING: 1.40MM. LARGER DIAMETER WIRES ARE ACCEPTABLE IF FULLY INSERTABLE IN WIRE TRAP AND NO WITHDRAWAL WITHIN 20N FORCE.

<b>ENTER DESCRIPTION</b> EC NO: SSL2017-0012 DRWNLZABJANOVSKI 2016/08/16 CHKD: APPR:GMEYER 2016/09/21 REV	QUALITY SYMBOLS $\nabla Z=0$ $\nabla Z=0$ $\nabla Z=0$	GENERAL TOLERANCES (UNLESS SPECIFIED) mm INCH 4 PLACES ± --- ± --- 3 PLACES ± --- ± --- 2 PLACES ± 0.13 ± --- 1 PLACE ± 0.25 ± --- 0 PLACE ± --- ± --- ANGULAR ± 1/2°	DIMENSION STYLE <b>MM ONLY</b> DRAWN BY DATE MDEVITO 2012/04/16 CHECKED BY DATE MCOLE 2012/08/06 APPROVED BY DATE DMCGOWAN 2012/08/06 MATERIAL NO.	SCALE <b>2:1</b> DESIGN UNITS <b>METRIC</b> THIRD ANGLE PROJECTION	TITLE <b>COB LED HOLDER</b> <b>19.0 MM X 19.0 MM SQUARE</b> <b>molex</b>	DOCUMENT NO. <b>SD-180414-103</b> SHEET NO. <b>3 OF 4</b>
	DRAFT WHERE APPLICABLE MUST REMAIN WITHIN DIMENSIONS		SEE CHART	THIS DRAWING CONTAINS INFORMATION THAT IS PROPRIETARY TO MOLEX INCORPORATED AND SHOULD NOT BE USED WITHOUT WRITTEN PERMISSION		
	<b>B3</b>	SIZE <b>B</b>				

9 8 7 6 5 4 3 2 1

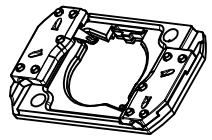
COB MFG	TYPE	DIM 'X'	DIM 'Y'	DIM 'Z'	DIM 'D'
CITIZEN	CLL030, CLL032, CLU034, CLU036, CLU038	19.0	19.0	0.90	17.0
TRIDONIC	SLE G5 LES15	19.0	19.0	0.90	15.0
SEOUL	ZC12, ZC18	19.0	19.0	0.90	16.0
CITIZEN	CLU720, CLU721	19.0	19.0	0.90	13.5
EVERLIGHT	EAHP1919WA*, EAHP1919WB*, EAHP1919WC*	19.0	19.0	0.90	15.5
EVERLIGHT	EA1919 36V/16W	19.0	19.0	0.90	15.5
EVERLIGHT	EA1919 36V/19W	19.0	19.0	0.90	15.5
EVERLIGHT	EA1919 36V/26W	19.0	19.0	0.90	15.5
VOSSLOH-SCHWABE	DMC114C	19.0	19.0	1.00	11.9
VOSSLOH-SCHWABE	DMC124***F, DMC125***F	19.0	19.0	1.00	13.1
VOSSLOH-SCHWABE	DMC125C	19.0	19.0	1.00	13.1
VOSSLOH-SCHWABE	DMC128***F	19.0	19.0	1.00	15.8
BRIDGELUX	H15	19.0	19.0	1.10	16.5



COB LED  
SCALE 1:1

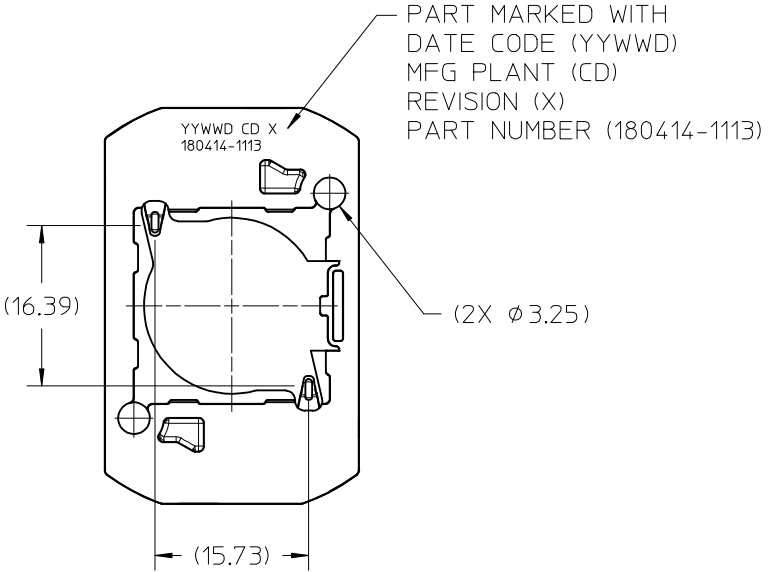
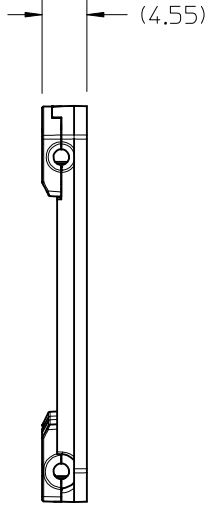
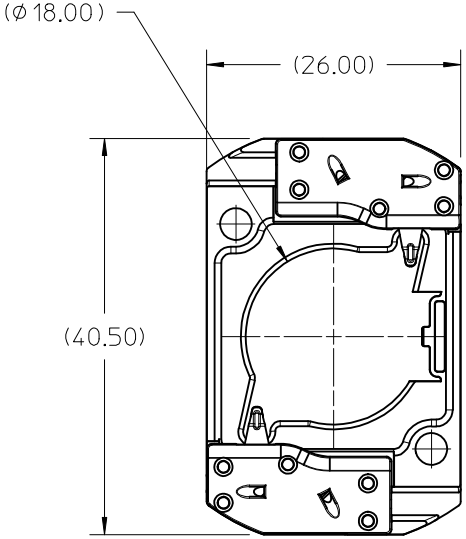
ENTER DESCRIPTION EC NO: SSL2017-0012 DRWNL:ZAB.JANOVSKI 2016/08/16 CHKD: APPR:GMEYER 2016/09/21 REV	QUALITY SYMBOLS	GENERAL TOLERANCES (UNLESS SPECIFIED)	DIMENSION STYLE	SCALE	DESIGN UNITS	THIRD ANGLE PROJECTION
	▽=0	mm INCH	MM ONLY	2:1	METRIC	
	▽=0	4 PLACES ± --- ± ---	DRAWN BY DATE	TITLE COB LED HOLDER 19.0 MM X 19.0 MM SQUARE		
		3 PLACES ± --- ± ---	MDEVITO 2012/04/16			
		2 PLACES ± 0.13 ± ---	CHECKED BY DATE	DOCUMENT NO. SD-180414-103		
	1 PLACE ± 0.25 ± ---	MCOLE 2012/08/06				
	0 PLACE ± --- ± ---	APPROVED BY DATE	SHEET NO. 4 OF 4			
	ANGULAR ± 1/2°	DMCGOWAN 2012/08/06				
B3	DRAFT WHERE APPLICABLE MUST REMAIN WITHIN DIMENSIONS	SEE CHART	THIS DRAWING CONTAINS INFORMATION THAT IS PROPRIETARY TO MOLEX INCORPORATED AND SHOULD NOT BE USED WITHOUT WRITTEN PERMISSION			

10	9	8	7	6	5	4	3	2	1	
PART NUMBER	DESCRIPTION		POCKET DEPTH	HOUSING	TERMINAL	CAP				
180414-1113	COB LED HOLDER ASSEMBLY		0.90	180413-1113	180155-0133	180154-0105				
180414-2113	COB LED HOLDER ASSEMBLY		0.75	180413-2113	180155-0133	180154-0105				



ISO VIEW 1  
SCALE 1:1

P/N 180414-1113 HOLDER ASSEMBLY  
(0.90 POCKET DEPTH)



PART MARKED WITH  
DATE CODE (YYWWD)  
MFG PLANT (CD)  
REVISION (X)  
PART NUMBER (180414-1113)

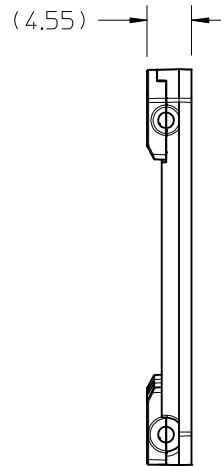
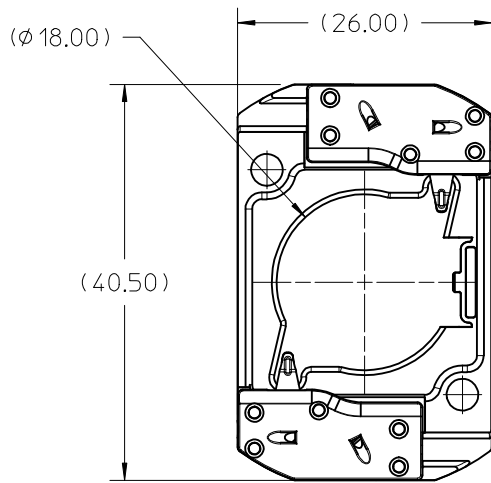
- NOTES:
1. MATERIALS: HOUSING AND CAPS: POLYESTER PBT GLASS FILLED; COLOR: WHITE; TERMINAL: COPPER ALLOY
  2. FINISHES: TERMINAL CONTACT: SELECT GOLD OVER NICKEL WIRE TRAP: SELECT TIN OVER NICKEL
  3. PRODUCT SPECIFICATION: 180414-0000-PS
  4. PACKAGING SPECIFICATION: PK-180419-006
  5. UL:OLFB2 UL496 FILE NO. E345583
  6. ELV AND ROHS COMPLIANT
  7. FOR USE WITH: 19.0 MM X 19.0 MM COB LED
  8. WIRE GAUGE: 18, 20, AND 22 AWG, SOLID OR STRANDED WITH TIN OVERCOAT. STRIP LENGTH 10MM +2.0/-0.0MM.
  9. ALL DIMENSIONS IN PARENTHESES (XX.XX) ARE FOR REFERENCE ONLY

<b>ENTER DESCRIPTION</b> EC NO: SSL2017-0024 DRWN:LZABJANOVSKI 2017/02/21 CHKD: APPR:BPISZCZOR 2017/03/07 <b>B4</b>	<b>QUALITY SYMBOLS</b> 	<b>GENERAL TOLERANCES (UNLESS SPECIFIED)</b>		<b>DIMENSION STYLE</b> <b>MM ONLY</b>		<b>SCALE</b> 2:1	<b>DESIGN UNITS</b> METRIC	<b>THIRD ANGLE PROJECTION</b>			
		4 PLACES ± --- ± --- 3 PLACES ± --- ± --- 2 PLACES ± 0.13 ± --- 1 PLACE ± 0.25 ± --- 0 PLACE ± --- ± ---	mm      INCH	DRAWN BY MCOLE	DATE 2013/12/09	<b>TITLE</b> COB LED HOLDER ASSEMBLY 19.0 MM X 19.0 MM SQUARE					
		ANGULAR ±1/2°		CHECKED BY MCOLE	DATE 2013/12/09						
		DRAFT WHERE APPLICABLE MUST REMAIN WITHIN DIMENSIONS		APPROVED BY DMCGOWAN	DATE 2013/12/09	MATERIAL NO. <b>SEE CHART</b>	DOCUMENT NO. SD-180414-113	<b>SHEET NO.</b> 1 OF 6			

THIS DRAWING CONTAINS INFORMATION THAT IS PROPRIETARY TO MOLEX INCORPORATED AND SHOULD NOT BE USED WITHOUT WRITTEN PERMISSION

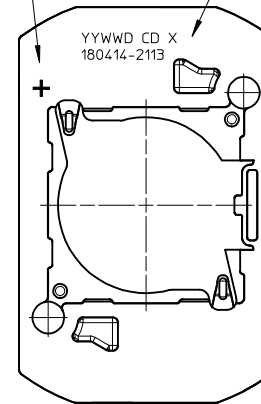
10 9 8 7 6 5 4 3 2 1

# P/N 180414-2113 HOLDER ASSEMBLY (0.75 POCKET DEPTH)



PART MARKED WITH  
POLARITY SIGN "+"

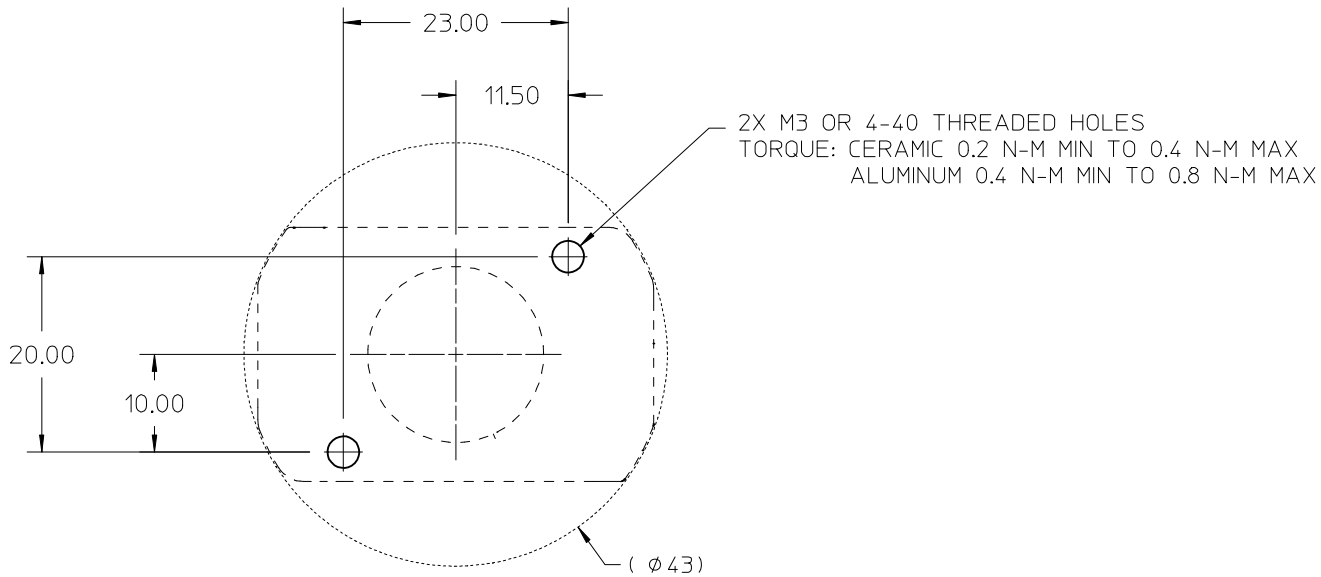
PART MARKED WITH  
DATE CODE (YYWWD)  
MFG PLANT (CD)  
REVISION (X)  
PART NUMBER (180414-2113)



<b>ENTER DESCRIPTION</b> EC NO: SSL2017-0024 DRWNL: ZAB.JANOVSKI 2017/02/21 CHKD: APPR: BPT.SZCZOR 2017/03/07 REV: B4	QUALITY SYMBOLS $\nabla = 0$ $\nabla = 0$ $\nabla = 0$	GENERAL TOLERANCES (UNLESS SPECIFIED) mm INCH 4 PLACES ± --- ± --- 3 PLACES ± --- ± --- 2 PLACES ± 0.13 ± --- 1 PLACE ± 0.25 ± --- 0 PLACE ± --- ± --- ANGULAR ± 1/2°	DIMENSION STYLE <b>MM ONLY</b> DRAWN BY DATE MCOLE 2013/12/09 CHECKED BY DATE MCOLE 2013/12/09 APPROVED BY DATE DMCGOWAN 2013/12/09	SCALE <b>2:1</b> DESIGN UNITS <b>METRIC</b> THIRD ANGLE PROJECTION	TITLE <b>COB LED HOLDER ASSEMBLY 19.0 MM X 19.0 MM SQUARE</b> <b>molex</b> DOCUMENT NO. <b>SD-180414-113</b> SHEET NO. <b>2 OF 6</b>
	DRAFT WHERE APPLICABLE MUST REMAIN WITHIN DIMENSIONS		MATERIAL NO. <b>SEE CHART</b>	THIS DRAWING CONTAINS INFORMATION THAT IS PROPRIETARY TO MOLEX INCORPORATED AND SHOULD NOT BE USED WITHOUT WRITTEN PERMISSION	

9 8 7 6 5 4 3 2 1

10 9 8 7 6 5 4 3 2 1



2X M3 OR 4-40 THREADED HOLES  
TORQUE: CERAMIC 0.2 N-M MIN TO 0.4 N-M MAX  
ALUMINUM 0.4 N-M MIN TO 0.8 N-M MAX

RECOMMENDED MOUNTING DIMENSIONS

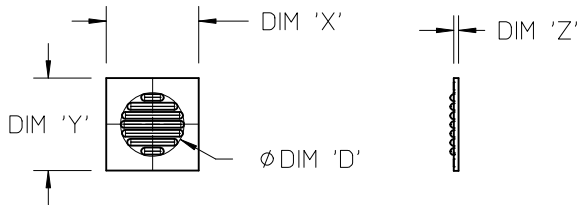
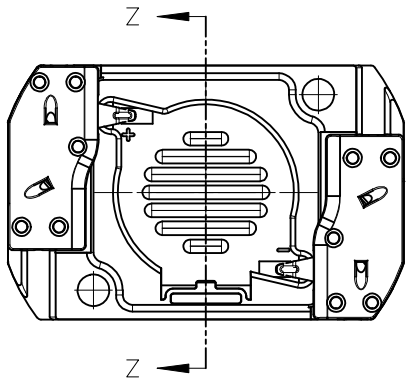
<b>ENTER DESCRIPTION</b> EC NO: SSL2017-0024 DRWNL:ZAB.JANOVSKI 2017/02/21 CHKD: APPR:BPISZCZOR 2017/03/07	QUALITY SYMBOLS $\nabla F/0$ $\nabla F/0$ $\nabla F/0$	GENERAL TOLERANCES (UNLESS SPECIFIED)		DIMENSION STYLE <b>MM ONLY</b>		SCALE <b>2:1</b>	DESIGN UNITS <b>METRIC</b>	THIRD ANGLE PROJECTION	
		4 PLACES $\pm$ --- $\pm$ ---	mm INCH	DRAWN BY MCOLE	DATE 2013/12/09	TITLE <b>COB LED HOLDER ASSEMBLY                  19.0 MM X 19.0 MM SQUARE</b>			
		3 PLACES $\pm$ --- $\pm$ ---	2 PLACES $\pm 0.13$ $\pm$ ---	CHECKED BY MCOLE	DATE 2013/12/09				
		1 PLACE $\pm 0.25$ $\pm$ ---	0 PLACE $\pm$ --- $\pm$ ---	APPROVED BY DMCGOWAN	DATE 2013/12/09	MATERIAL NO. <b>SEE CHART</b>		DOCUMENT NO. <b>SD-180414-113</b>	SHEET NO. <b>3 OF 6</b>
B4	DRAFT WHERE APPLICABLE MUST REMAIN WITHIN DIMENSIONS	ANGULAR $\pm 1/2^\circ$		THIS DRAWING CONTAINS INFORMATION THAT IS PROPRIETARY TO MOLEX INCORPORATED AND SHOULD NOT BE USED WITHOUT WRITTEN PERMISSION					

9 8 7 6 5 4 3 2 1

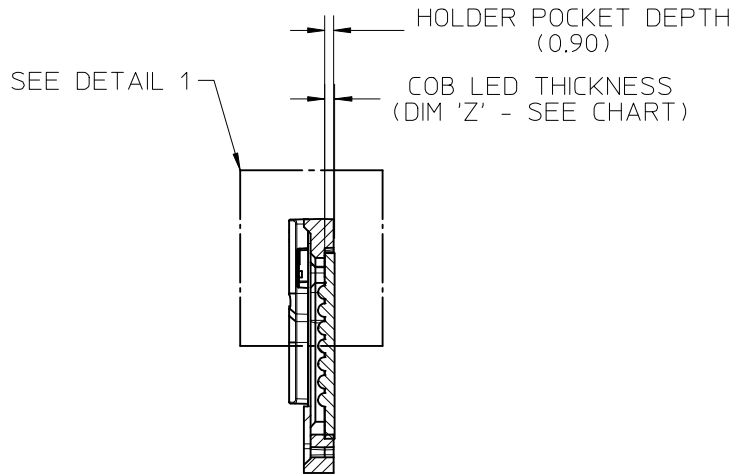


COB MFG	TYPE	DIM 'X'	DIM 'Y'	DIM 'Z'	DIM 'D'	OFFSET
VOSSLOH-SCHWABE	DMC114C	19.0	19.0	1.0	11.9	0.10
VOSSLOH-SCHWABE	DMC124***F, DMC125***F	19.0	19.0	1.0	13.1	0.10
VOSSLOH-SCHWABE	DMC125C	19.0	19.0	1.0	13.1	0.10
VOSSLOH-SCHWABE	DMC128***F	19.0	19.0	1.0	15.8	0.10

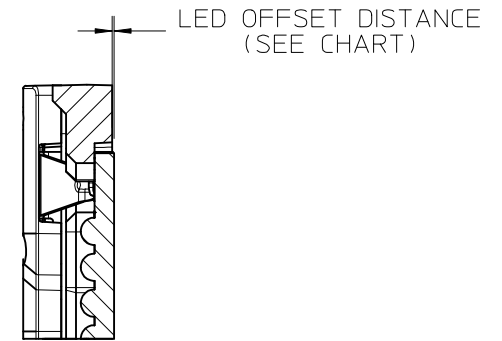
## ILLUSTRATION OF P/N 180414-1113 HOLDER MATED WITH LED



COB LED  
SCALE 1:1



SECTION Z-Z

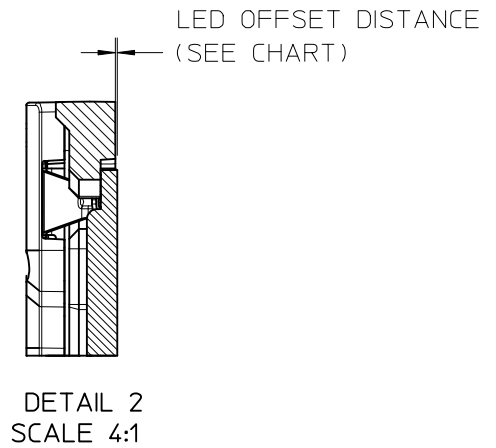
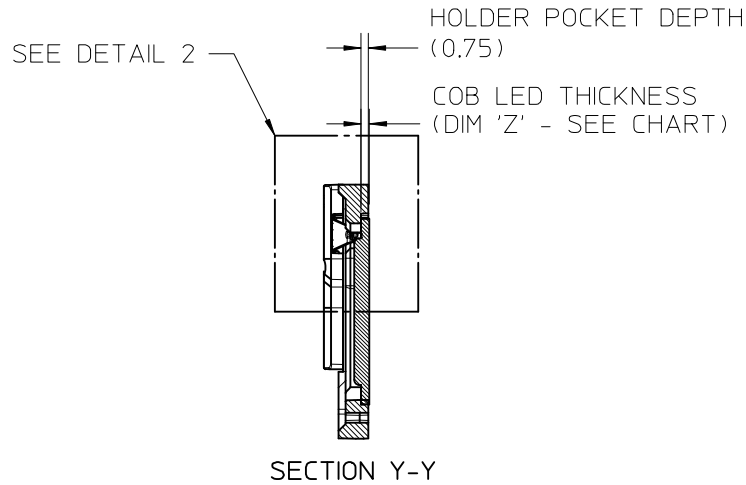
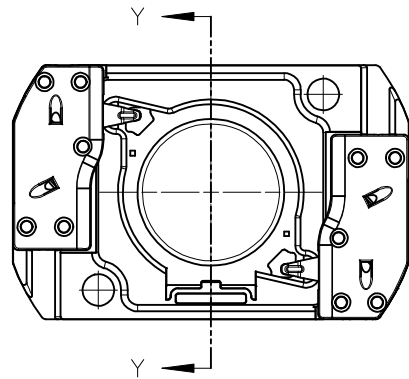


DETAIL 1  
SCALE 4:1

<b>ENTER DESCRIPTION</b> EC NO: SSL2017-0024 DRWNL:ZAB.JANOVSKI 2017/02/21 CHKD: APPR:BPISZCZOR 2017/03/07 <b>B4</b>	<b>QUALITY SYMBOLS</b> $\nabla F=0$ $\nabla F=0$ $\nabla F=0$	<b>GENERAL TOLERANCES (UNLESS SPECIFIED)</b>		<b>DIMENSION STYLE</b> <b>MM ONLY</b>		<b>SCALE</b> 2:1	<b>DESIGN UNITS</b> METRIC	<b>THIRD ANGLE PROJECTION</b>		
				DRAWN BY MCOLE	DATE 2013/12/09	<b>TITLE</b> COB LED HOLDER ASSEMBLY 19.0 MM X 19.0 MM SQUARE				
				CHECKED BY MCOLE	DATE 2013/12/09					
				APPROVED BY DMCGOWAN	DATE 2013/12/09	<b>MATERIAL NO.</b> SEE CHART		<b>DOCUMENT NO.</b> SD-180414-113	<b>SHEET NO.</b> 4 OF 6	
		ANGULAR $\pm 1/2^\circ$ DRAFT WHERE APPLICABLE MUST REMAIN WITHIN DIMENSIONS		SIZE <b>B</b>		THIS DRAWING CONTAINS INFORMATION THAT IS PROPRIETARY TO MOLEX INCORPORATED AND SHOULD NOT BE USED WITHOUT WRITTEN PERMISSION				

10 9 8 7 6 5 4 3 2 1

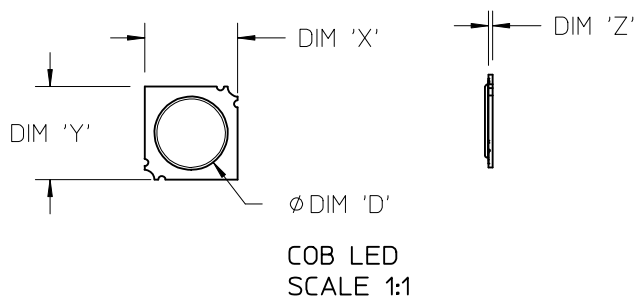
# ILLUSTRATION OF P/N 180414-2113 HOLDER MATED WITH LED



<b>ENTER DESCRIPTION</b> EC NO: SSL2017-0024 DRWNL:ZAB.JANOVSKI 2017/02/21 CHKD: APPR:BPISZCZOR 2017/03/07 REV <b>B4</b>	QUALITY SYMBOLS	GENERAL TOLERANCES (UNLESS SPECIFIED)	DIMENSION STYLE	SCALE	DESIGN UNITS	THIRD ANGLE PROJECTION
	$\nabla = 0$ $\nabla = 0$ $\nabla = 0$	mm      INCH 4 PLACES ± --- ± --- 3 PLACES ± --- ± --- 2 PLACES ± 0.13 ± --- 1 PLACE ± 0.25 ± --- 0 PLACE ± --- ± ---	MM ONLY	2:1	METRIC	COB LED HOLDER ASSEMBLY 19.0 MM X 19.0 MM SQUARE  <b>molex</b>
			DRAWN BY	DATE	TITLE	
			CHECKED BY	DATE		
			APPROVED BY	DATE		
		ANGULAR ±1/2°	MATERIAL NO.	DOCUMENT NO.	SHEET NO.	
		DRAFT WHERE APPLICABLE MUST REMAIN WITHIN DIMENSIONS	SEE CHART	SD-180414-113	5 OF 6	
THIS DRAWING CONTAINS INFORMATION THAT IS PROPRIETARY TO MOLEX INCORPORATED AND SHOULD NOT BE USED WITHOUT WRITTEN PERMISSION						

9 8 7 6 5 4 3 2 1

COB MFG	TYPE	DIM 'X'	DIM 'Y'	DIM 'Z'	DIM 'D'	OFFSET
CITIZEN	CLL030, CLL032, CLU034, CLU036, CLU038	19.0	19.0	0.90	17.0	0.15
SEOUL	ZC12, ZC18	19.0	19.0	0.90	16.0	0.15
TRIDONIC	SLE G5 LES15	19.0	19.0	0.90	15.0	0.15
CITIZEN	CLU720, CLU721	19.0	19.0	0.90	13.5	0.15
EVERLIGHT	EAHP1919WA*, EAHP1919WB*, EAHP1919WC*	19.0	19.0	0.90	15.5	0.15
EVERLIGHT	EA1919 36V/16W	19.0	19.0	0.90	15.5	0.15
EVERLIGHT	EA1919 36V/19W	19.0	19.0	0.90	15.5	0.15
EVERLIGHT	EA1919 36V/26W	19.0	19.0	0.90	15.5	0.15
VOSSLOH-SCHWABE	DMC114C	19.0	19.0	1.00	11.9	0.25
VOSSLOH-SCHWABE	DMC124***F, DMC125***F	19.0	19.0	1.00	13.1	0.25
VOSSLOH-SCHWABE	DMC125C	19.0	19.0	1.00	13.1	0.25
VOSSLOH-SCHWABE	DMC128***F	19.0	19.0	1.00	15.8	0.25
BRIDGELUX	H15	19.0	19.0	1.10	16.5	0.35



ENTER DESCRIPTION EC NO: SSL2017-0024 DRWNL:ZAB.JANOVSKI 2017/02/21 CHKD: APPR:BP1SZCZOR 2017/03/07 REV	QUALITY SYMBOLS	GENERAL TOLERANCES (UNLESS SPECIFIED)		DIMENSION STYLE MM ONLY		SCALE 2:1	DESIGN UNITS METRIC	THIRD ANGLE PROJECTION		
	$\nabla=0$ $\nabla=0$	4 PLACES	mm	INCH	DRAWN BY	DATE	TITLE COB LED HOLDER ASSEMBLY 19.0 MM X 19.0 MM SQUARE			
		3 PLACES	± ---	± ---	MCOLE	2013/12/09				
		2 PLACES	± 0.13	± ---	CHECKED BY	DATE				
		1 PLACE	± 0.25	± ---	MCOLE	2013/12/09				
0 PLACE		± ---	± ---	APPROVED BY	DATE					
		ANGULAR ±1/2°		DMCGOWAN	2013/12/09	DOCUMENT NO.		SHEET NO.		
B4		DRAFT WHERE APPLICABLE MUST REMAIN WITHIN DIMENSIONS		SEE CHART		SD-180414-113		6 OF 6		
SIZE B THIS DRAWING CONTAINS INFORMATION THAT IS PROPRIETARY TO MOLEX INCORPORATED AND SHOULD NOT BE USED WITHOUT WRITTEN PERMISSION										