



Chipsmall Limited consists of a professional team with an average of over 10 year of expertise in the distribution of electronic components. Based in Hongkong, we have already established firm and mutual-benefit business relationships with customers from,Europe,America and south Asia,supplying obsolete and hard-to-find components to meet their specific needs.

With the principle of “Quality Parts,Customers Priority,Honest Operation,and Considerate Service”,our business mainly focus on the distribution of electronic components. Line cards we deal with include Microchip,ALPS,ROHM,Xilinx,Pulse,ON,Everlight and Freescale. Main products comprise IC,Modules,Potentiometer,IC Socket,Relay,Connector.Our parts cover such applications as commercial,industrial, and automotives areas.

We are looking forward to setting up business relationship with you and hope to provide you with the best service and solution. Let us make a better world for our industry!



Contact us

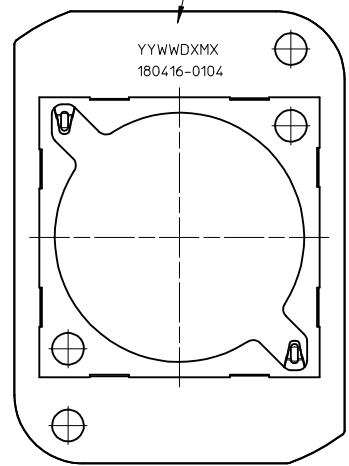
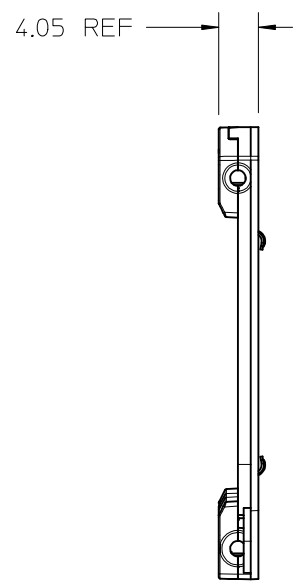
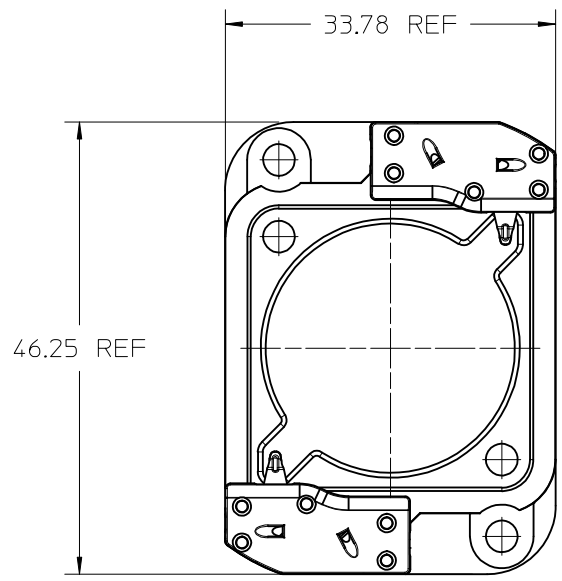
Tel: +86-755-8981 8866 Fax: +86-755-8427 6832

Email & Skype: info@chipsmall.com Web: www.chipsmall.com

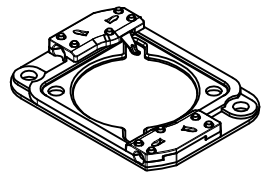
Address: A1208, Overseas Decoration Building, #122 Zhenhua RD., Futian, Shenzhen, China



10 9 8 7 6 5 4 3 2 1



PART MARKED WITH
DATE CODE (YYWDXM)
MFG PLANT (XM)
REVISION (X)
PART NUMBER (180416-0104)



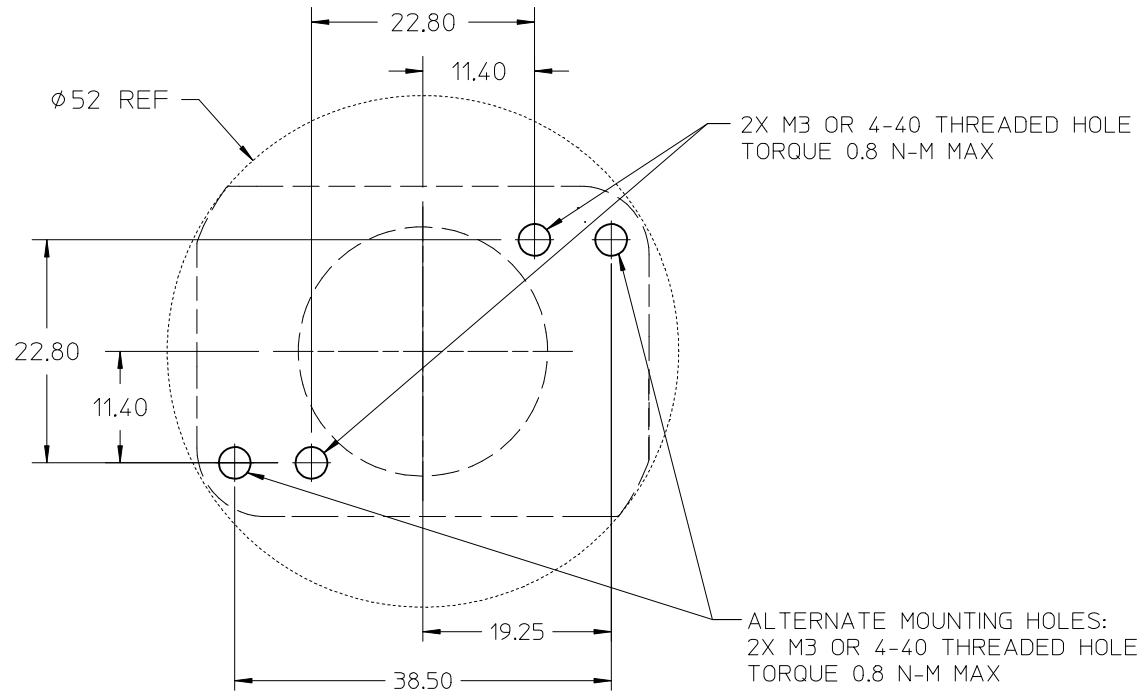
ISOMETRIC VIEW 1
SCALE 1:1

- NOTES:
1. MATERIALS: HOUSING: POLYAMIDE (PA66), GLASS FILLED, UL94V-0, 5VA (89992-0289); TERMINAL: COPPER ALLOY
 2. FINISHES: TERMINAL: NICKEL (Ni) UNDERPLATE 1.27 μ m, SELECT TIN (Sn) 2.54 μ m, SELECT GOLD (Au) 0.76 μ m
 3. PRODUCT SPECIFICATION: PS-180414-001
 4. PACKAGING SPECIFICATION: PK-180416-002
 5. APPLICATION SPECIFICATION: AS-180414-001
 6. FOR USE WITH: CITIZEN COB SERIES CLL040 LED
 7. WIRE GAUGE: 18 OR 20 AWG, SOLID OR STRANDED WITH TIN OVERCOAT. STRIP LENGTH 1CM.
 8. UL:OLFB2 UL496 FILE: E345583 (PENDING)
 9. REFERENCE PS-180414-001 FOR RoHAS REQUIREMENTS.

REVISED AND RELEASED EC NO: SSL2013-0006 DRAWN: MCOLE 2012/08/05 CHKD: MCOLE 2012/08/06 APPR: DMCGOWAN 2012/08/06	DESCRIPTION 4	QUALITY SYMBOLS	GENERAL TOLERANCES (UNLESS SPECIFIED)		DIMENSION STYLE MM ONLY		SCALE 2:1	DESIGN UNITS METRIC	THIRD ANGLE PROJECTION		
		∇ = 0 ∇ = 0 ∇ = 0	4 PLACES \pm --- \pm --- 3 PLACES \pm --- \pm --- 2 PLACES \pm 0.13 \pm --- 1 PLACE \pm 0.25 \pm --- 0 PLACE \pm --- \pm ---	mm INCH DRAWN BY DATE MCOLE 2012/05/21 CHECKED BY DATE MCOLE 2012/06/18 APPROVED BY DATE DMCGOWAN 2012/06/22	TITLE CITIZEN COB SERIES CLL040 HS HOLDER ASSEMBLY		MATERIAL NO. 1804160104		DOCUMENT NO. SD-180416-104	SHEET NO. 1 OF 2	
		ANGULAR \pm 1/2°		DRAFT WHERE APPLICABLE MUST REMAIN WITHIN DIMENSIONS		SIZE B		THIS DRAWING CONTAINS INFORMATION THAT IS PROPRIETARY TO MOLEX INCORPORATED AND SHOULD NOT BE USED WITHOUT WRITTEN PERMISSION			
		MOLEX									

9 8 7 6 5 4 3 2 1

10 9 8 7 6 5 4 3 2 1



RECOMMENDED MOUNTING DIMENSIONS

ENTER DESCRIPTION EC NO.: SSL2013-0006 DRAWN: MCOLE 2012/08/05 CHKD: MCOLE 2012/08/06 APPR: DMCGOWAN 2012/08/06	QUALITY SYMBOLS ∇=0 ∇=0 ∇=0	GENERAL TOLERANCES (UNLESS SPECIFIED)		DIMENSION STYLE MM ONLY		SCALE 2:1	DESIGN UNITS METRIC	THIRD ANGLE PROJECTION		
		4 PLACES ± --- ± ---	mm INCH	DRAWN BY MCOLE	DATE 2012/05/21	CITIZEN COB SERIES CLL040 HS HOLDER ASSEMBLY molex				
		3 PLACES ± --- ± ---	2 PLACES ± 0.13 ± ---	CHECKED BY MCOLE	DATE 2012/06/18					
		1 PLACE ± 0.25 ± ---	0 PLACE ± --- ± ---	APPROVED BY DMCGOWAN	DATE 2012/06/22	MATERIAL NO. 9999999999	DOCUMENT NO. SD-180416-104	SHEET NO. 2 OF 2		
4	REV	ANGULAR ± 1/2° DRAFT WHERE APPLICABLE MUST REMAIN WITHIN DIMENSIONS		SIZE B	THIS DRAWING CONTAINS INFORMATION THAT IS PROPRIETARY TO MOLEX INCORPORATED AND SHOULD NOT BE USED WITHOUT WRITTEN PERMISSION					

9 8 7 6 5 4 3 2 1