



Chipsmall Limited consists of a professional team with an average of over 10 year of expertise in the distribution of electronic components. Based in Hongkong, we have already established firm and mutual-benefit business relationships with customers from,Europe,America and south Asia,supplying obsolete and hard-to-find components to meet their specific needs.

With the principle of “Quality Parts,Customers Priority,Honest Operation,and Considerate Service”,our business mainly focus on the distribution of electronic components. Line cards we deal with include Microchip,ALPS,ROHM,Xilinx,Pulse,ON,Everlight and Freescale. Main products comprise IC,Modules,Potentiometer,IC Socket,Relay,Connector.Our parts cover such applications as commercial,industrial, and automotives areas.

We are looking forward to setting up business relationship with you and hope to provide you with the best service and solution. Let us make a better world for our industry!



## Contact us

Tel: +86-755-8981 8866 Fax: +86-755-8427 6832

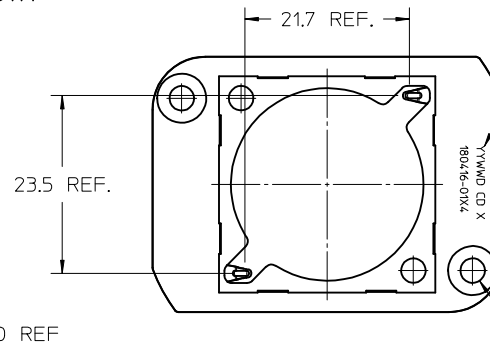
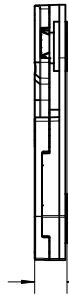
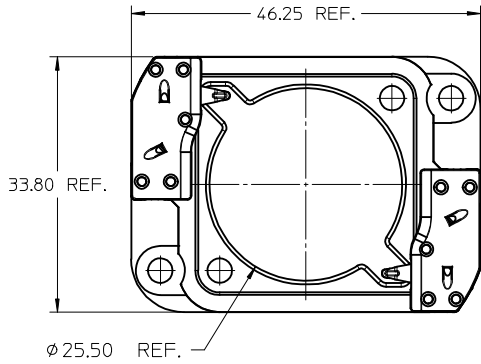
Email & Skype: info@chipsmall.com Web: www.chipsmall.com

Address: A1208, Overseas Decoration Building, #122 Zhenhua RD., Futian, Shenzhen, China

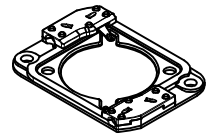


PART NUMBER	DESCRIPTION	MATERIAL	AGENCY APPROVAL
180416-0104	28MM X 28MM HOLDER ASSEMBLY	POLYAMIDE (PA66) GLASS FILLED, COLOR: NATURAL	UL496 FILE E345583
180416-0204	28MM X 28MM HOLDER ASSEMBLY WITH TAB CAP	POLYAMIDE (PA66) GLASS FILLED, COLOR: NATURAL	UL496 FILE E345583
180416-0114	28MM X 28MM HOLDER ASSEMBLY	POLYESTER (PBT) GLASS FILLED,COLOR: WHITE	-
180416-0214	28MM X 28MM HOLDER ASSEMBLY WITH TAB CAP	POLYESTER (PBT) GLASS FILLED,COLOR: WHITE	-

**HOLDER ASSEMBLY**  
180416-0104, 180416-0114

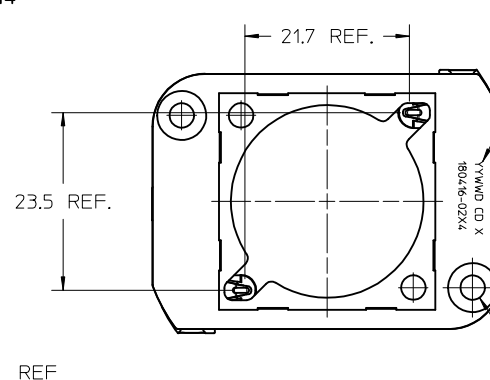
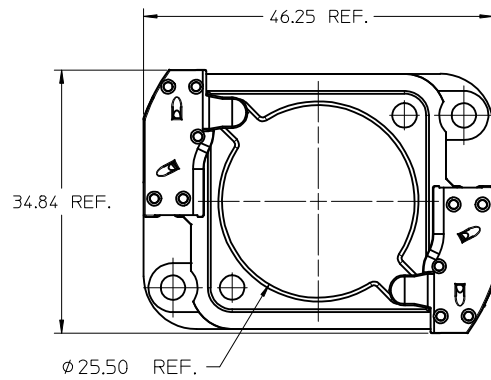


PART MARKED WITH  
DATE CODE (YYWWD)  
MFG PLANT (CD)  
REVISION (X)  
PART NUMBER (180416-01X4)

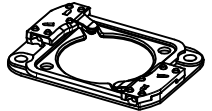


ISO VIEW 1  
SCALE 1:1

**HOLDER ASSEMBLY WITH TAB CAP**  
180416-0204, 180416-0214



PART MARKED WITH  
DATE CODE (YYWWD)  
MFG PLANT (CD)  
REVISION (X)  
PART NUMBER (180416-02X4)



ISO VIEW 2  
SCALE 1:1

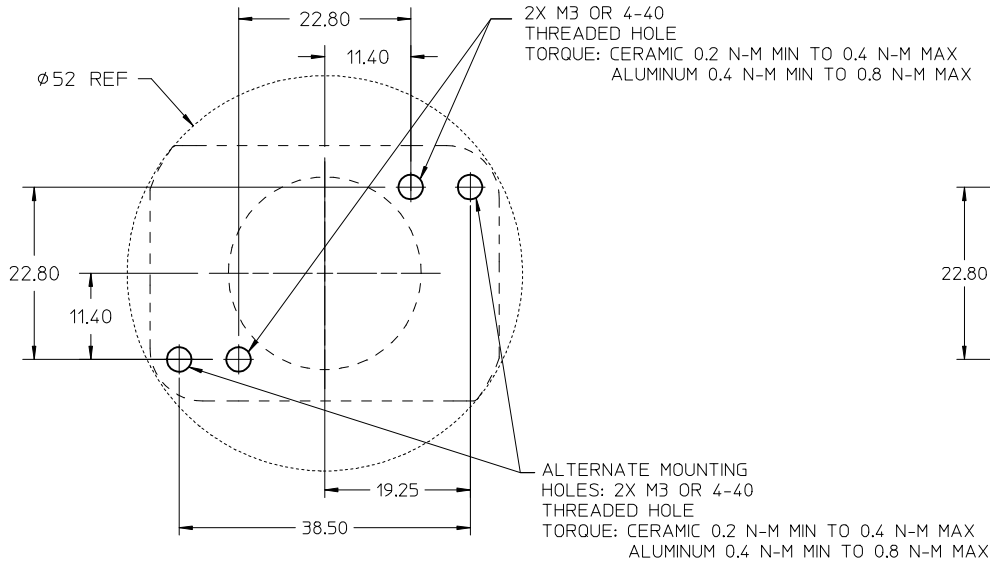
**NOTES:**

- MATERIALS: HOUSING AND CAPS: SEE CHART, TERMINAL: COPPER ALLOY.
- FINISHES: TERMINAL: NICKEL (Ni) UNDERPLATE 1.27 μm;  
WIRE TRAP: SELECT TIN (Sn) 2.54 μm, LED CONTACT: SELECT GOLD (Au) 0.76 μm
- PRODUCT SPECIFICATION: PS-180414-001
- PACKAGING SPECIFICATION: PK-180419-007
- APPLICATION SPECIFICATION: AS-180412-001
- FOR USE WITH: 28MM X 28MM COB LED
- WIRE GAUGE: 18, 20, AND 22 AWG; TIN-PLATED SOLID, TINNED STRANDED, OR PRE-TINNED STRANDED. STRIP LENGTH 10MM +2.0/-0.0MM. RECOMMENDED MAXIMUM DIAMETER AFTER TINNING: 1.40MM. LARGER DIAMETER WIRES ARE ACCEPTABLE IF FULLY INSERTABLE IN WIRE TRAP AND NO WITHDRAWAL WITHIN 20N FORCE.
- IF REWORK IS REQUIRED, WIRE MUST BE REPLACED WITH SAME AWG AND TYPE. CARE MUST BE TAKEN NOT TO DAMAGE WIRE TRAP. REWORK IS ACCEPTABLE IF WIRE IS FULLY INSERTABLE IN WIRE TRAP AND NO WITHDRAWAL WITHIN 20N FORCE.
- SEE CHART FOR AGENCY APPROVAL INFORMATION.
- ELV AND ROHS COMPLIANT.

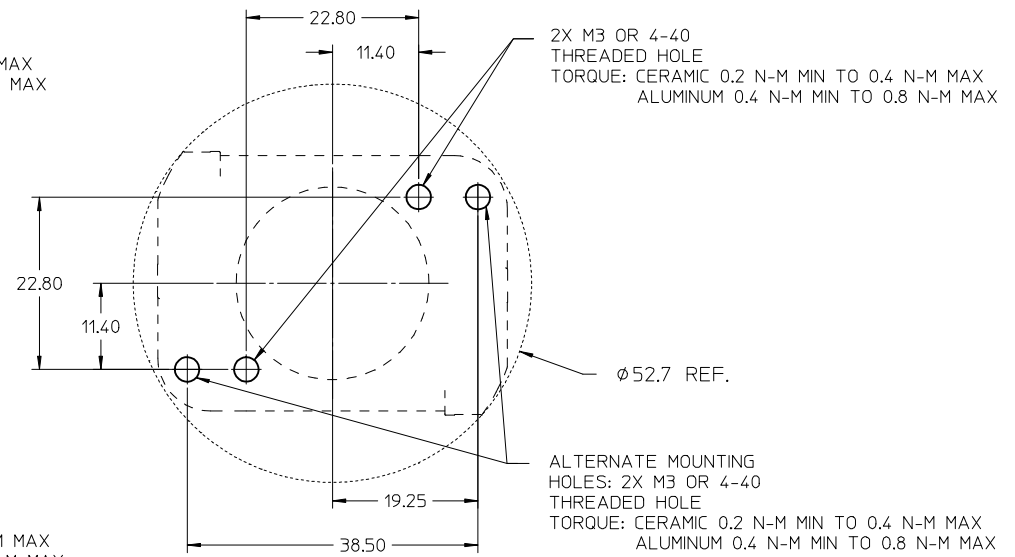
<b>ENTER DESCRIPTION</b> EC NO: SSL2017-0012 DRWNLZABJANOVSKI 2016/08/16 CHKD: APPR:GMEYER 2016/09/21 REV: C4	<b>QUALITY SYMBOLS</b> 	<b>GENERAL TOLERANCES (UNLESS SPECIFIED)</b>		<b>DIMENSION STYLE</b> <b>MM ONLY</b>		<b>SCALE</b> 2:1	<b>DESIGN UNITS</b> METRIC	<b>THIRD ANGLE PROJECTION</b>		
		4 PLACES	± ---	± ---	DRAWN BY	DATE	<b>COB LED HOLDER</b> <b>28MM X 28MM SQUARE</b>   <b>SD-180416-104</b> SHEET NO. 1 OF 3			
		3 PLACES	± ---	± ---	CHECKED BY	DATE				
		2 PLACES	± 0.13	± ---	MCOLE	2012/06/18				
1 PLACE	± 0.25	± ---	APPROVED BY	DATE						
0 PLACE	± ---	± ---	DMCGOWAN	2012/06/22	<b>SEE CHART</b>		DOCUMENT NO.			
ANGULAR ±1/2°		DRAFT WHERE APPLICABLE MUST REMAIN WITHIN DIMENSIONS		MATERIAL NO.	THIS DRAWING CONTAINS INFORMATION THAT IS PROPRIETARY TO MOLEX INCORPORATED AND SHOULD NOT BE USED WITHOUT WRITTEN PERMISSION					

13 12 11 10 9 8 7 6 5 4 3 2 1

J  
I  
H  
G  
F  
E  
D  
C  
B  
A



RECOMMENDED MOUNTING DIMENSIONS  
180416-0104, 180416-0114



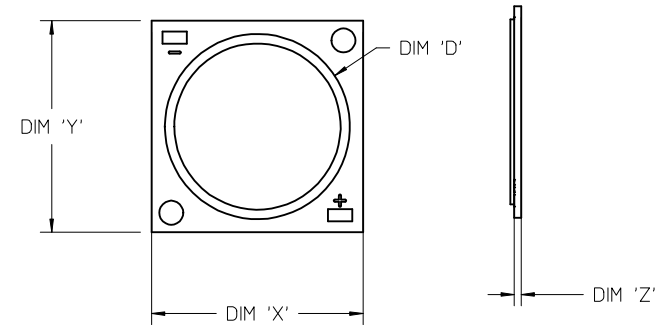
RECOMMENDED MOUNTING DIMENSIONS  
180416-0204, 180416-0214

<b>ENTER DESCRIPTION</b> EC NO: SSL2017-0012 DRWING: LABJANOVSKI 2016/08/16 CHKD: [Signature] APPR: GMEYER 2016/09/21	QUALITY SYMBOLS ▽=0 ▽=0 ▽=0	GENERAL TOLERANCES (UNLESS SPECIFIED)		DIMENSION STYLE <b>MM ONLY</b>	SCALE <b>2:1</b>	DESIGN UNITS <b>METRIC</b>	THIRD ANGLE PROJECTION		
		4 PLACES ± --- ± ---	3 PLACES ± --- ± ---	2 PLACES ± 0.13 ± ---	1 PLACE ± 0.25 ± ---	0 PLACE ± --- ± ---	COB LED HOLDER 28MM X 28MM SQUARE		
		ANGULAR ±1/2°		DRAFT WHERE APPLICABLE MUST REMAIN WITHIN DIMENSIONS		DRAWN BY DATE MCOLE 2012/05/21	CHECKED BY DATE MCOLE 2012/06/18	APPROVED BY DATE DMCGOWAN 2012/06/22	
		MATERIAL NO. <b>SEE CHART</b>		DOCUMENT NO. <b>SD-180416-104</b>		SHEET NO. 2 OF 3			

THIS DRAWING CONTAINS INFORMATION THAT IS PROPRIETARY TO MOLEX. INCORPORATED AND SHOULD NOT BE USED WITHOUT WRITTEN PERMISSION

1b\_frame\_C\_P\_AM\_T Rev. G 2012/01/11 12 11 10 9 8 7 6 5 4 3 2 1

COB MFG	TYPE	DIM 'X'	DIM 'Y'	DIM 'Z'	DIM 'D'
CITIZEN	CLL040, CLL042, CLU044, CLU046, CLU048	28.0	28.0	0.90	24.5
LEXTAR	PB38H01.0	28.0	28.0	0.90	23.6
LUMILEDS	LUXEON 1211	28.0	28.0	1.00	21.0
SEOUL	ZC25, ZC40, ZC60	28.0	28.0	0.90	24.2
LG INNOTEK	40W/60W COB	28.0	28.0	0.82	24.5
VOSSLOH-SCHWABE	DMC12CC**D, DMC17CC**D	28.0	28.0	1.00	24.0
BRIDGELUX	V22	28.0	28.0	1.00	23.6



<b>ENTER DESCRIPTION</b> EC NO: SSL2017-0012 DRWNLZABJANOVSKI 2016/08/16 CHKD: APPR:GMEYER 2016/09/121 REV: C4	<b>QUALITY SYMBOLS</b> ▼=0 ▽=0	<b>GENERAL TOLERANCES (UNLESS SPECIFIED)</b> <table border="1"> <thead> <tr> <th></th> <th>mm</th> <th>INCH</th> </tr> </thead> <tbody> <tr> <td>4 PLACES</td> <td>± ---</td> <td>± ---</td> </tr> <tr> <td>3 PLACES</td> <td>± ---</td> <td>± ---</td> </tr> <tr> <td>2 PLACES</td> <td>± 0.13</td> <td>± ---</td> </tr> <tr> <td>1 PLACE</td> <td>± 0.25</td> <td>± ---</td> </tr> <tr> <td>0 PLACE</td> <td>± ---</td> <td>± ---</td> </tr> </tbody> </table>		mm	INCH	4 PLACES	± ---	± ---	3 PLACES	± ---	± ---	2 PLACES	± 0.13	± ---	1 PLACE	± 0.25	± ---	0 PLACE	± ---	± ---	<b>DIMENSION STYLE</b> <b>MM ONLY</b>	<b>SCALE</b> <b>2:1</b>	<b>DESIGN UNITS</b> <b>METRIC</b>	<b>THIRD ANGLE PROJECTION</b>
		mm	INCH																					
	4 PLACES	± ---	± ---																					
	3 PLACES	± ---	± ---																					
2 PLACES	± 0.13	± ---																						
1 PLACE	± 0.25	± ---																						
0 PLACE	± ---	± ---																						
<b>DRAWN BY</b> MCOLE <b>DATE</b> 2012/05/21 <b>CHECKED BY</b> MCOLE <b>DATE</b> 2012/06/18 <b>APPROVED BY</b> DMCGOWAN <b>DATE</b> 2012/06/22		<b>TITLE</b> <b>COB LED HOLDER</b> <b>28MM X 28MM SQUARE</b>																						
<b>ANGULAR</b> ±1/2° <b>DRAFT WHERE APPLICABLE MUST REMAIN WITHIN DIMENSIONS</b>		<b>MATERIAL NO.</b> <b>SEE CHART</b>		<b>DOCUMENT NO.</b> <b>SD-180416-104</b>		<b>SHEET NO.</b> <b>3 OF 3</b>																		
<b>THIS DRAWING CONTAINS INFORMATION THAT IS PROPRIETARY TO MOLEX INCORPORATED AND SHOULD NOT BE USED WITHOUT WRITTEN PERMISSION</b>																								