



Chipsmall Limited consists of a professional team with an average of over 10 year of expertise in the distribution of electronic components. Based in Hongkong, we have already established firm and mutual-benefit business relationships with customers from,Europe,America and south Asia,supplying obsolete and hard-to-find components to meet their specific needs.

With the principle of "Quality Parts,Customers Priority,Honest Operation,and Considerate Service",our business mainly focus on the distribution of electronic components. Line cards we deal with include Microchip,ALPS,ROHM,Xilinx,Pulse,ON,Everlight and Freescale. Main products comprise IC,Modules,Potentiometer,IC Socket,Relay,Connector.Our parts cover such applications as commercial,industrial, and automotives areas.

We are looking forward to setting up business relationship with you and hope to provide you with the best service and solution. Let us make a better world for our industry!



Contact us

Tel: +86-755-8981 8866 Fax: +86-755-8427 6832

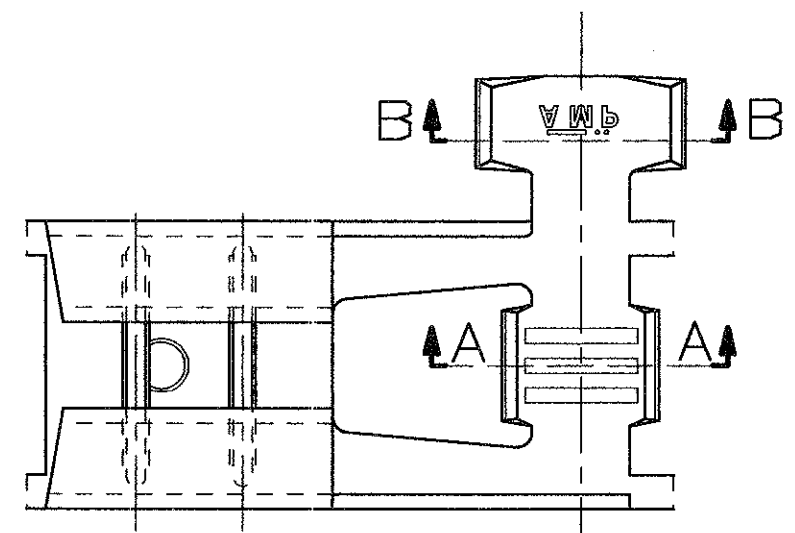
Email & Skype: info@chipsmall.com Web: www.chipsmall.com

Address: A1208, Overseas Decoration Building, #122 Zhenhua RD., Futian, Shenzhen, China

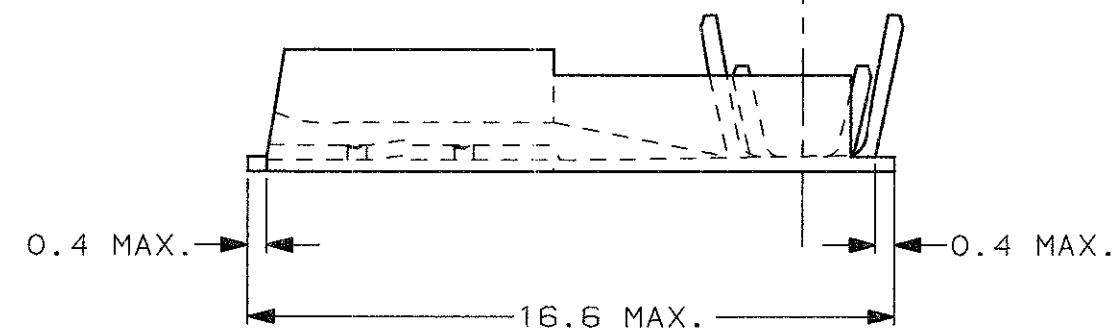
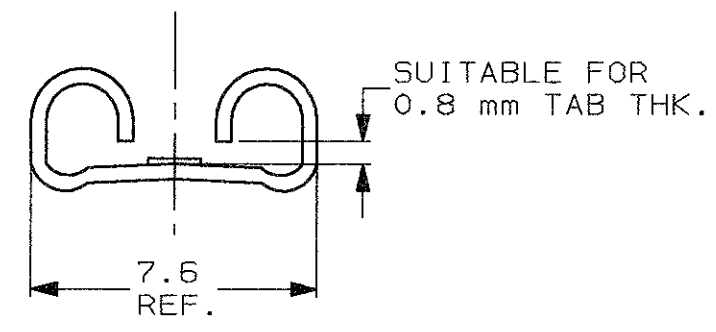


SCALA NON IMPEGNATIVA
(DO NOT SCALE)
DIMENSIONI IN mm
(DIMENSIONS IN mm)

METRIC

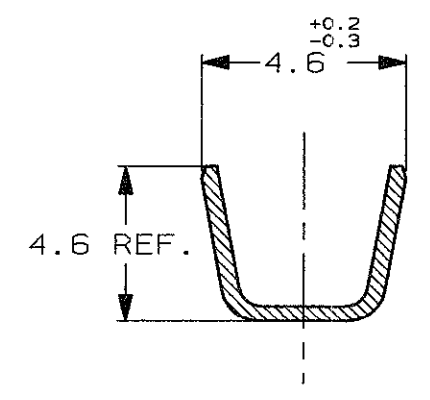
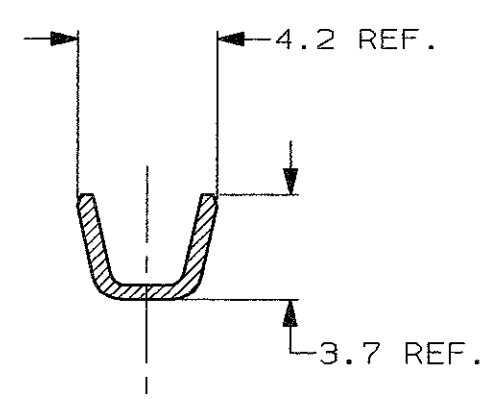


- 1) PER LA VERSIONE IN NASTRO
VEDERE DISEGNO 180388.
(FOR STRIP FORM VERSION SEE DRAWING 180388).
- 2) CONFEZIONAMENTO IN ACCORDO
ALLA SPECIFICA AMP 107-20201.
(PACKAGE ACCORDING TO AMP SPEC. 107-20201).



SECTION A-A

SECTION B-B



STAGNATO (TIN PLATED)	OTTONE (BRASS)	0-180430-2	L
NUDO (UNPLATED)	OTTONE (BRASS)	0-180430-1	L
FINITURA / COLORE (FINISH / COLOUR)	MATERIALE (MATERIAL)	NUMERO (AMP P/N)	REV

CUSTOMER DWG. FOR REFERENCE ONLY DISEGNO PER CLIENTE SOLO PER RIFERIMENTO

THIS DRAWING IS UNPUBLISHED RELEASE FOR PUBLICATION 19

© COPYRIGHT 19 BY AMP INCORPORATED, HARRISBURG, PA. ALL INTERNATIONAL RIGHTS RESERVED. AMP PRODUCTS MAY BE COVERED BY U.S. AND FOREIGN PATENT AND/OR PATENT PENDING

TOLLERANZE; SE NON DIVERSAMENTE SPECIFICATO (TOLERANCES; UNLESS OTHERWISE SPECIFIED)	DIAM. ISOLANTE (INS. DIA. RANGE)	RANGO FILO (WIRE RANGE)	SCALA (SCALE)
± 0.3	2.0-3.3	0.5-1.5	5:1

ANGOLI (ANGLES) ± 2°

AMP AMP ITALIA S.p.A.
Corso F.lli Cervi, 15
COLLENO (TORINO)

DIS. 21 JUN 2001 (DR.) H. YAALI DESCRIZIONE (DESCRIPTION) FASTON® Connector, .250" FLAG REC. CONTACT (LOOSE PIECE VERSION)

CONT. 21 JUN 2001 (CHK) C. TARTARI

REV.	REVISIONI (REVISION RECORD)	DIS. DATA (DR.)	APP. (APP.)
L	OBSOLETE PARTS & REDRAWN ET00-0161-01	H. Y. 04 JUL 2001	

LOC. SIZE NUMERO (DWG NO) REV. FOGLIO (SHEET)

I A3 C-180430 L 1 DI (OF) 1

DISTRIBUZIONE (PRINT DIST.)