



Chipsmall Limited consists of a professional team with an average of over 10 year of expertise in the distribution of electronic components. Based in Hongkong, we have already established firm and mutual-benefit business relationships with customers from,Europe,America and south Asia,supplying obsolete and hard-to-find components to meet their specific needs.

With the principle of “Quality Parts,Customers Priority,Honest Operation,and Considerate Service”,our business mainly focus on the distribution of electronic components. Line cards we deal with include Microchip,ALPS,ROHM,Xilinx,Pulse,ON,Everlight and Freescale. Main products comprise IC,Modules,Potentiometer,IC Socket,Relay,Connector.Our parts cover such applications as commercial,industrial, and automotives areas.

We are looking forward to setting up business relationship with you and hope to provide you with the best service and solution. Let us make a better world for our industry!



Contact us

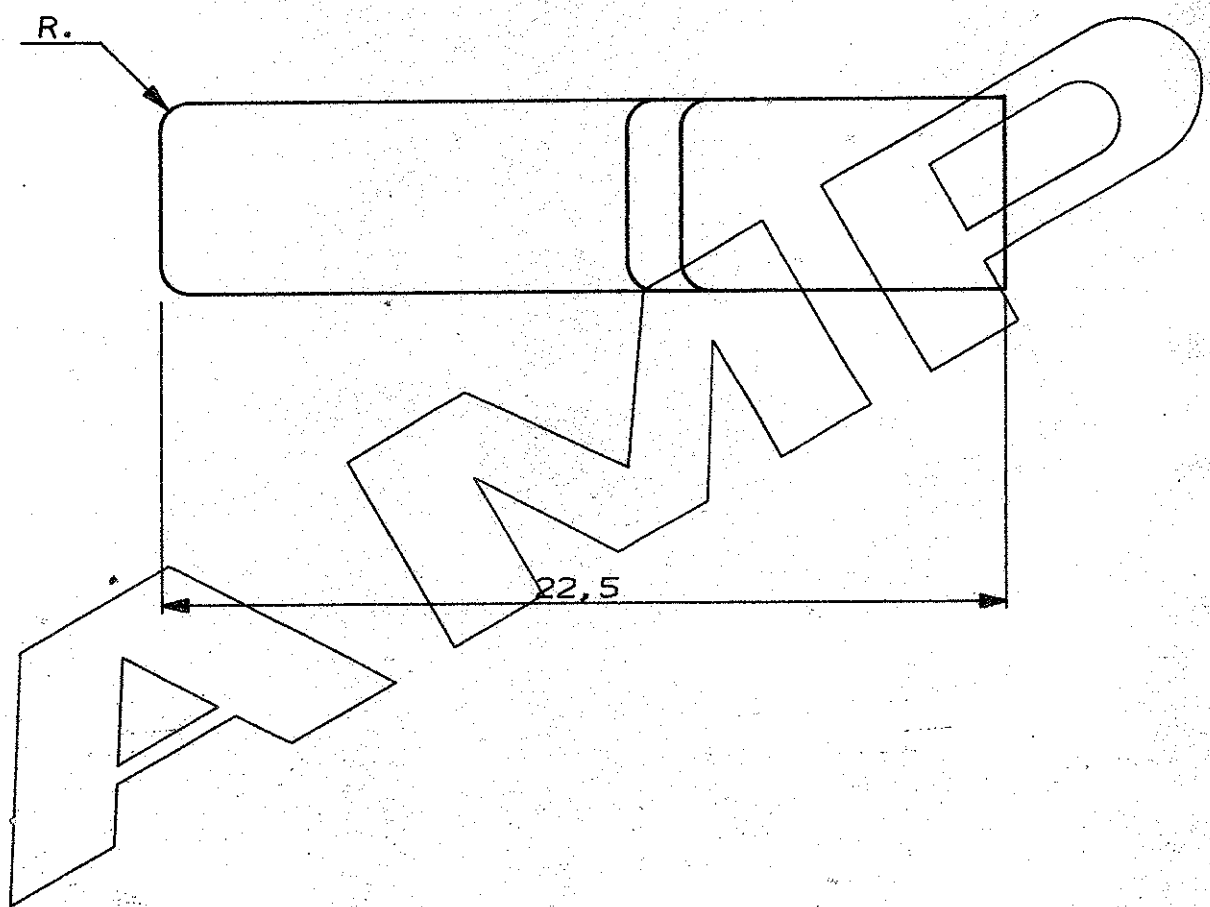
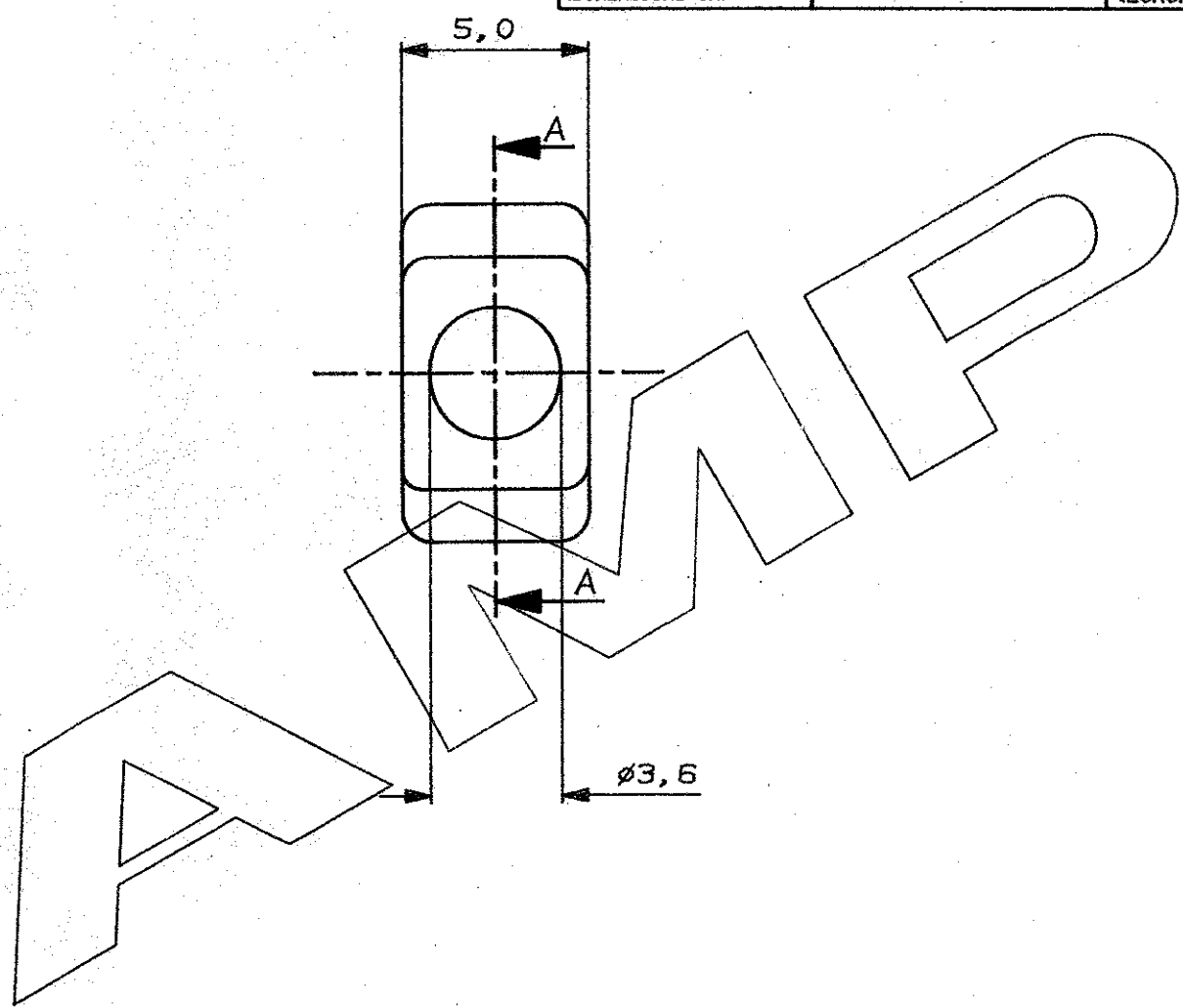
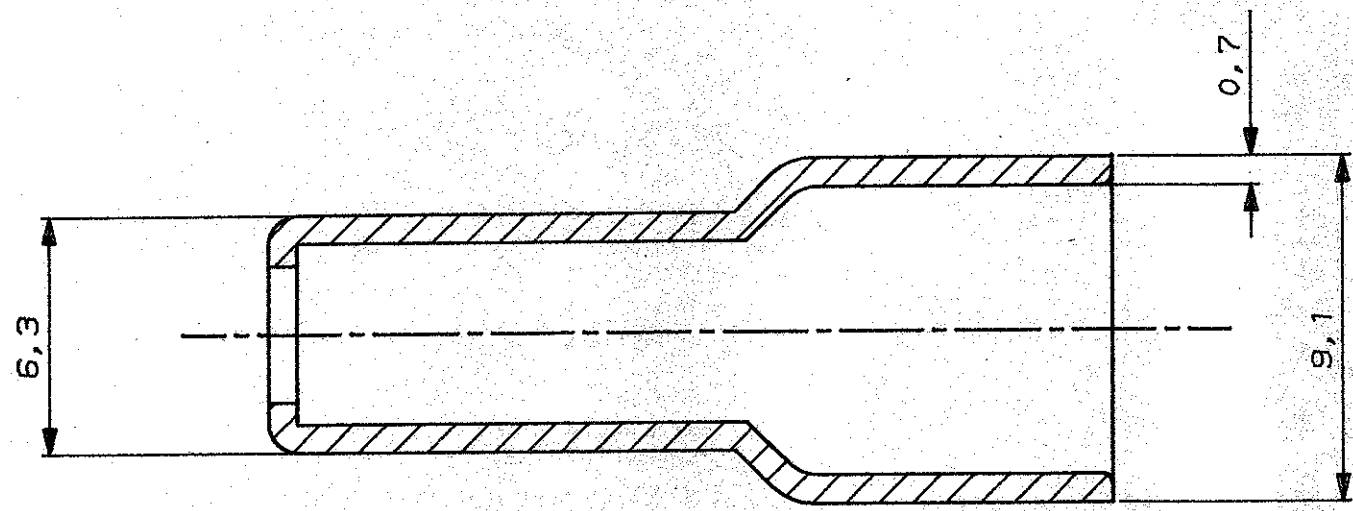
Tel: +86-755-8981 8866 Fax: +86-755-8427 6832

Email & Skype: info@chipsmall.com Web: www.chipsmall.com

Address: A1208, Overseas Decoration Building, #122 Zhenhua RD., Futian, Shenzhen, China



SEZIONE A-A



* = OBSOLETE

* VIOLA		180460-8
* NERO		180460-5
* GIALLO		180460-4
* BLU		180460-3
* VERDE		180460-2
* ROSSO		180460-1
NATURALE	POLYAMIDE 6.6	180460-0
FINITURA / COLORE (FINISH / COLOUR)	MATERIALE (MATERIAL)	NUMERO (PART NUMBER)

CUSTOMER DWG. FOR REFERENCE ONLY		DISEGNO PER CLIENTE SOLO PER RIFERIMENTO	
THIS DRAWING IS UNPUBLISHED		RELEASE FOR PUBLICATION 19	
© COPYRIGHT 1984 BY AMP INCORPORATED, HARRISBURG, PA. ALL INTERNATIONAL RIGHT RESERVED AMP PRODUCTS MAY BE COVERED BY U.S. AND FOREIGN PATENT AND/OR PATENT PENDING			
TOLLERANZE, SE NON DIVERSAMENTE SPECIFICATO (TOLERANCES, UNLESS OTHERWISE SPECIFIED)	DIAM. ISOLANTE (INS. DIA. RANGE)	RANGO FILO (WIRE RANGE)	SCALA (SCALED)
$\pm 0,4$	2,5 MAX.	//	5:1
G Revised ET00-0320-97	A.F. 08/08/87	ANGOLI (ANGLES) $\pm 2^\circ$	
D REVISIÓ PER 0102-94	AC 14/11/84	DIS. 29 APRILE 1988 (COR. D. Agostino S.)	
C Rivisto	EB 12/08/88	DESCRIZIONE (DESCRIPTION) INSULATING BOOT	
B REVISIONATO E RIDISEGNATO	APP. 12/08/88	LOC. SIZE NUMERO (CONS. NO.) IA3C-180460 G	
REVISIONI (REVISION RECORD)	DIS. DATA (COR.)	APP. (APP.)	REV. (REV.)
			FOGLIO (PAGE) 1 DI 1

DISTRIBUZIONE (PRINT DIST.)