



Chipsmall Limited consists of a professional team with an average of over 10 year of expertise in the distribution of electronic components. Based in Hongkong, we have already established firm and mutual-benefit business relationships with customers from,Europe,America and south Asia,supplying obsolete and hard-to-find components to meet their specific needs.

With the principle of “Quality Parts,Customers Priority,Honest Operation,and Considerate Service”,our business mainly focus on the distribution of electronic components. Line cards we deal with include Microchip,ALPS,ROHM,Xilinx,Pulse,ON,Everlight and Freescale. Main products comprise IC,Modules,Potentiometer,IC Socket,Relay,Connector.Our parts cover such applications as commercial,industrial, and automotives areas.

We are looking forward to setting up business relationship with you and hope to provide you with the best service and solution. Let us make a better world for our industry!



Contact us

Tel: +86-755-8981 8866 Fax: +86-755-8427 6832

Email & Skype: info@chipsmall.com Web: www.chipsmall.com

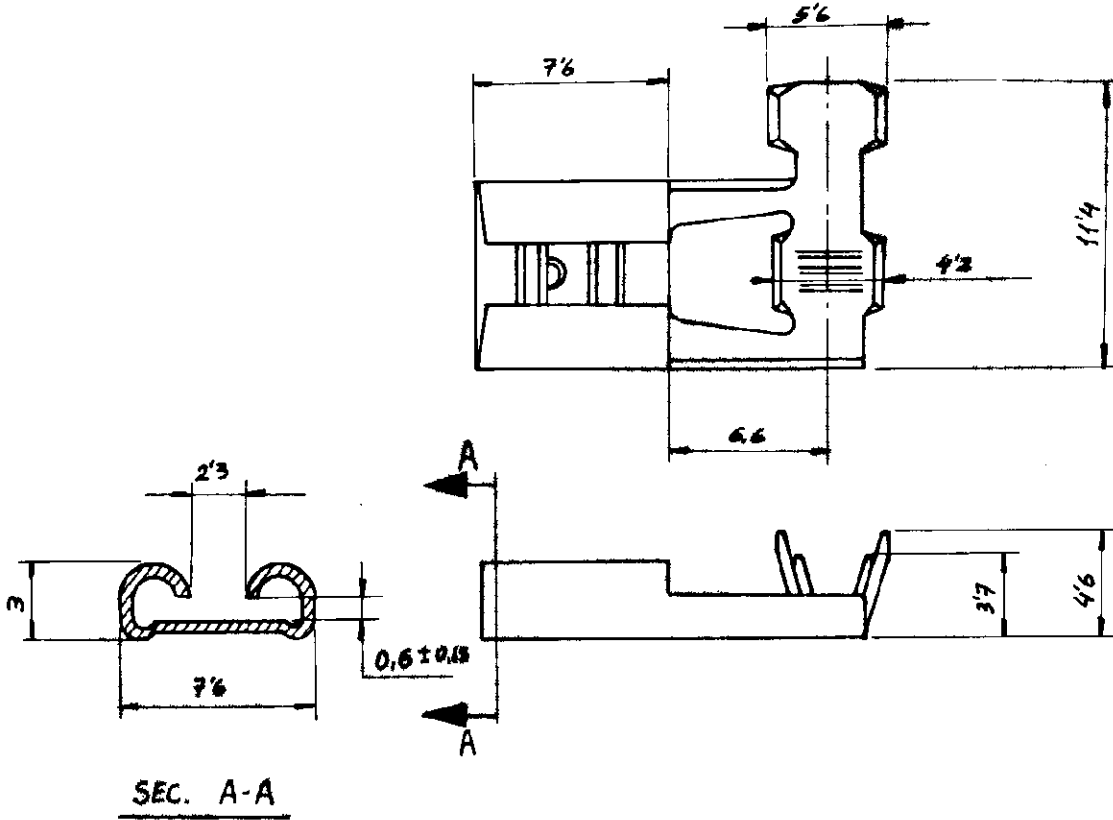
Address: A1208, Overseas Decoration Building, #122 Zhenhua RD., Futian, Shenzhen, China



DIBUJADO EN PROYECCIONES

AMERICANAS	<input checked="" type="checkbox"/>
EUROPEAS	<input type="checkbox"/>

NUMERO



RESTRINGIDO UNICABLES

TOL. GRAL: ± 0,4

180429-2	ESTAÑADO	LATON	180464-2
180429-1	-	LATON	180464-1
L.P.	ACABADO	MATERIAL	PN

PLANO DE CLIENTE SOLO PARA REFERENCIA

© 1993 POR AMP - ESPAÑOLA S. A.
 TODOS LOS DERECHOS RESERVADOS
 LOS PRODUCTOS AMP ESTAN CUBIERTOS POR
 PATENTES ACTUALES O PENDIENTES



AMP - ESPAÑOLA S. A.
 BARCELONA
 ESPAÑA

SAMA HILO 1-2'5 mm ²	SAMA AISLANTE φ 2'5-3'8 mm	PRIMER USO		
ESCALA 4:1	LOC AL	N.º A	180464	REV. 0

NOMBRE: RECEPT. FASTON 6'35 BANDERA

DIMENSIONES EN M. M.

DIB. J. J. L.	FECHA 02.02.93	DE.	FECHA
COMP. P. L.	FECHA 02.02.93	APR.	FECHA