



Chipsmall Limited consists of a professional team with an average of over 10 year of expertise in the distribution of electronic components. Based in Hongkong, we have already established firm and mutual-benefit business relationships with customers from,Europe,America and south Asia,supplying obsolete and hard-to-find components to meet their specific needs.

With the principle of “Quality Parts,Customers Priority,Honest Operation,and Considerate Service”,our business mainly focus on the distribution of electronic components. Line cards we deal with include Microchip,ALPS,ROHM,Xilinx,Pulse,ON,Everlight and Freescale. Main products comprise IC,Modules,Potentiometer,IC Socket,Relay,Connector.Our parts cover such applications as commercial,industrial, and automotives areas.

We are looking forward to setting up business relationship with you and hope to provide you with the best service and solution. Let us make a better world for our industry!



Contact us

Tel: +86-755-8981 8866 Fax: +86-755-8427 6832

Email & Skype: info@chipsmall.com Web: www.chipsmall.com

Address: A1208, Overseas Decoration Building, #122 Zhenhua RD., Futian, Shenzhen, China



PCV 4/ 3-G-7,62

Order No.: 1804690

The figure shows a 5-pos. version of the product

<http://eshop.phoenixcontact.de/phoenix/treeViewClick.do?UID=1804690>Header, Nominal current: 20 A, Nom. voltage: 400 V, Pitch: 7.62 mm,
Number of positions: 3, Color: green, Assembly: Soldering

Commercial data

EAN	4017918046132
Pack	50 pcs.
Customs tariff	85366990
Weight/Piece	0.00619 KG
Catalog page information	Page 371 (CC-2009)

Product notes

WEEE/RoHS-compliant since:
01/01/2003

<http://www.download.phoenixcontact.com>
Please note that the data given here has been taken from the online catalog. For comprehensive information and data, please refer to the user documentation. The General Terms and Conditions of Use apply to Internet downloads.

Technical data

Dimensions / positions

Pitch	7.62 mm
Dimension a	15.24 mm
Number of positions	3
Pin dimensions	1 x 0,8 mm
Hole diameter	1.3 mm

Technical data

Insulating material group	I
Rated surge voltage (III/3)	6 kV
Rated surge voltage (III/2)	6 kV
Rated surge voltage (II/2)	6 kV
Rated voltage (III/2)	630 V
Rated voltage (II/2)	630 V
Connection in acc. with standard	EN-VDE
Nominal current I_N	20 A
Nominal voltage U_N	400 V
Maximum load current	20 A
Insulating material	PA
Inflammability class acc. to UL 94	V0

Certificates / Approvals



Certification

BV, CSA, CUL, DNV, GL, GOST, LR, RS, UL

CSA

Nominal voltage U_N	300 V
Nominal current I_N	20 A

CUL

Nominal voltage U_N	300 V
Nominal current I_N	35 A

UL

Nominal voltage U_N	300 V
Nominal current I_N	35 A

Accessories

Item	Designation	Description
Assembly		
1827570	BF-PC 4	Mounting flange, is snapped onto the left and right of the headers, for screw connection with PC 4/...-STF-7.62

Marking		
1051993	B-STIFT	Marker pen, for manual labeling of unprinted Zack strips, smear-proof and waterproof, line thickness 0.5 mm
0804549	SK 7,62/3,8:FORTL.ZAHLEN	Marker card, printed horizontally, self-adhesive, 10-section marker strip, 12 identical decades marked 1-10, 11-20 etc. up to 91-99, sufficient for 120 terminal blocks
0805153	SK 7,62/3,8:SO	Marker card, special printing, self-adhesive, labeled acc. to customer requirements, 12 identical marker strips per card, max. 25-position labeling per strip, color: white
0803906	SK U/3,8 WH:UNBEDRUCKT	Unprinted marker cards, DIN A4 format, pitch as desired, self-adhesive, with 40 stamped marker strips, 185 mm strip length, can be labeled with the CMS system or manually with the M-PEN

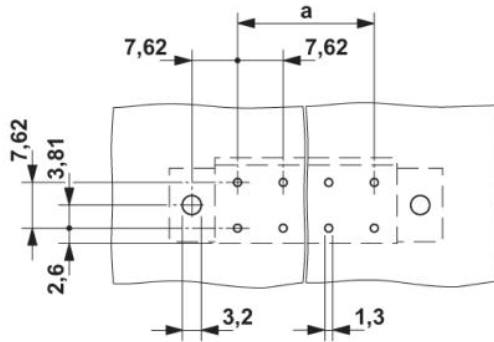
Plug/Adapter		
1600027	CP-HCC 4	Coding profile, Color: red

Additional products

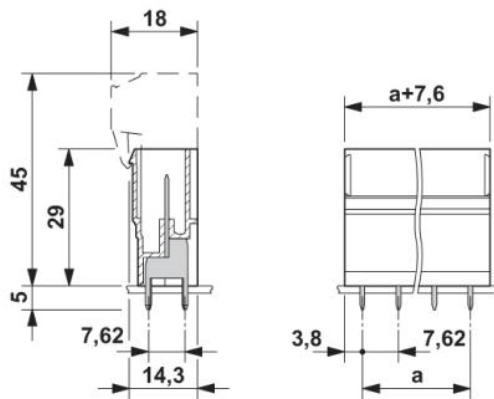
Item	Designation	Description
General		
1848902	PC 4 HV/ 3-ST-7,62	Plug component, Nominal current: 20 A, Nom. voltage: 800 V, Pitch: 7.62 mm, Number of positions: 3, Connection type: Screw connection, Color: green
1882382	PC 4 HV/ 3-STF-7,62	Plug component, Nominal current: 20 A, Nom. voltage: 800 V, Pitch: 7.62 mm, Number of positions: 3, Connection type: Screw connection, Color: green
1804917	PC 4/ 3-ST-7,62	Plug component, Nominal current: 20 A, Nom. voltage: 400 V, Pitch: 7.62 mm, Number of positions: 3, Connection type: Screw connection, Color: green
1828252	PC 4/ 3-STF-7,62	Plug component, Nominal current: 20 A, Nom. voltage: 400 V, Pitch: 7.62 mm, Number of positions: 3, Connection type: Screw connection, Color: green
1840188	PCC 4/ 3-ST-7,62	Plug component, Nominal current: 20 A, Nom. voltage: 400 V, Pitch: 7.62 mm, Number of positions: 3, Connection type: Crimp connection, Color: green

Diagrams/Drawings

Drilling plan/solder pad geometry



Dimensioned drawing



Address

PHOENIX CONTACT Inc., USA
586 Fulling Mill Road
Middletown, PA 17057, USA
Phone (800) 888-7388
Fax (717) 944-1625
<http://www.phoenixcon.com>



© 2010 Phoenix Contact
Technical modifications reserved;