



Chipsmall Limited consists of a professional team with an average of over 10 year of expertise in the distribution of electronic components. Based in Hongkong, we have already established firm and mutual-benefit business relationships with customers from,Europe,America and south Asia,supplying obsolete and hard-to-find components to meet their specific needs.

With the principle of "Quality Parts,Customers Priority,Honest Operation,and Considerate Service",our business mainly focus on the distribution of electronic components. Line cards we deal with include Microchip,ALPS,ROHM,Xilinx,Pulse,ON,Everlight and Freescale. Main products comprise IC,Modules,Potentiometer,IC Socket,Relay,Connector.Our parts cover such applications as commercial,industrial, and automotives areas.

We are looking forward to setting up business relationship with you and hope to provide you with the best service and solution. Let us make a better world for our industry!



## Contact us

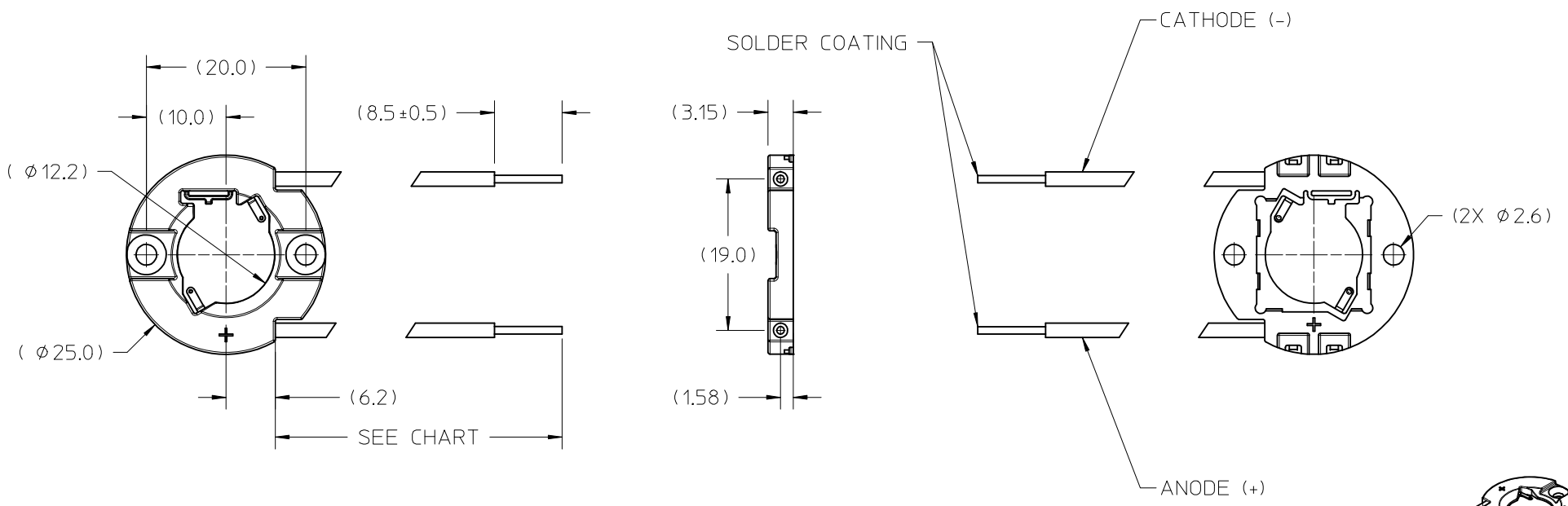
Tel: +86-755-8981 8866 Fax: +86-755-8427 6832

Email & Skype: info@chipsmall.com Web: www.chipsmall.com

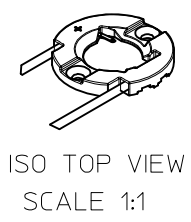
Address: A1208, Overseas Decoration Building, #122 Zhenhua RD., Futian, Shenzhen, China



PART NUMBER	DESCRIPTION	ANODE (+) WIRE COLOR	CATHODE (-) WIRE COLOR	WIRE LENGTH
180555-0001	HOLDER ASSEMBLY W/O TUBING	WHITE	YELLOW	110±5
180555-0002	HOLDER ASSEMBLY W/O TUBING	RED	BLACK	254±5



- NOTES:
1. MATERIALS: HOUSING: GLASS FILLED POLYESTER (PBT), COLOR: WHITE, UL94V-0; TERMINAL: COPPER ALLOY WIRE: UL AWM STYLE 3266, 125°C RATED TEMPERATURE. INSULATION: XL-PE. CONDUCTOR: 20 AWG STRANDED COPPER.
  2. FINISHES: TERMINAL CONTACT: GOLD OVER NICKEL
  3. ALL DIMENSIONS IN PARENTHESES (XX.XX) ARE FOR REFERENCE ONLY
  4. MOUNT HOLDER USING M2.5 SCREWS (2), 0.1 NEWTON METERS MIN; 0.2 NEWTON METERS MAX TORQUE
  5. THIS PRODUCT IS ELV AND ROHS COMPLIANT



<b>ENTER DESCRIPTION</b> EC NO: SSL2015-0052 DRAWN BY: DRW/MCOLE CHKD: 2014/11/25 APPR: GMEYER 2014/12/03	<b>QUALITY SYMBOLS</b> ▽/0 ▽/0 ▽/0	<b>GENERAL TOLERANCES (UNLESS SPECIFIED)</b>		<b>DIMENSION STYLE</b> <b>MM ONLY</b>		<b>SCALE</b> 2:1	<b>DESIGN UNITS</b> METRIC	<b>THIRD ANGLE PROJECTION</b>
		4 PLACES ± --- ± ---	DRAWN BY: MCOLE DATE: 2013/09/23	<b>TITLE</b> COB LED HOLDER ASSEMBLY 13.35 MM X 13.35 MM				
		3 PLACES ± --- ± ---	CHECKED BY: GMEYER DATE: 2013/12/11					
		2 PLACES ± 0.13 ± ---	APPROVED BY: DMCGOWAN DATE: 2013/12/12	<b>DOCUMENT NO.</b> SD-180555-001				
1 PLACE ± 0.25 ± ---	<b>MATERIAL NO.</b> SEE CHART	<b>SHEET NO.</b> 1 OF 1						
0 PLACE ± --- ± ---	<b>ANGULAR ± 1/2°</b> <b>DRAFT WHERE APPLICABLE</b> <b>MUST REMAIN WITHIN DIMENSIONS</b>	<b>THIS DRAWING CONTAINS INFORMATION THAT IS PROPRIETARY TO MOLEX INCORPORATED AND SHOULD NOT BE USED WITHOUT WRITTEN PERMISSION</b>						