



Chipsmall Limited consists of a professional team with an average of over 10 year of expertise in the distribution of electronic components. Based in Hongkong, we have already established firm and mutual-benefit business relationships with customers from,Europe,America and south Asia,supplying obsolete and hard-to-find components to meet their specific needs.

With the principle of “Quality Parts,Customers Priority,Honest Operation,and Considerate Service”,our business mainly focus on the distribution of electronic components. Line cards we deal with include Microchip,ALPS,ROHM,Xilinx,Pulse,ON,Everlight and Freescale. Main products comprise IC,Modules,Potentiometer,IC Socket,Relay,Connector.Our parts cover such applications as commercial,industrial, and automotives areas.

We are looking forward to setting up business relationship with you and hope to provide you with the best service and solution. Let us make a better world for our industry!



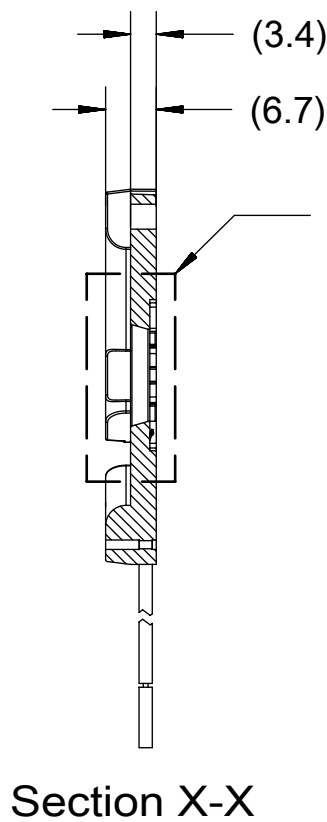
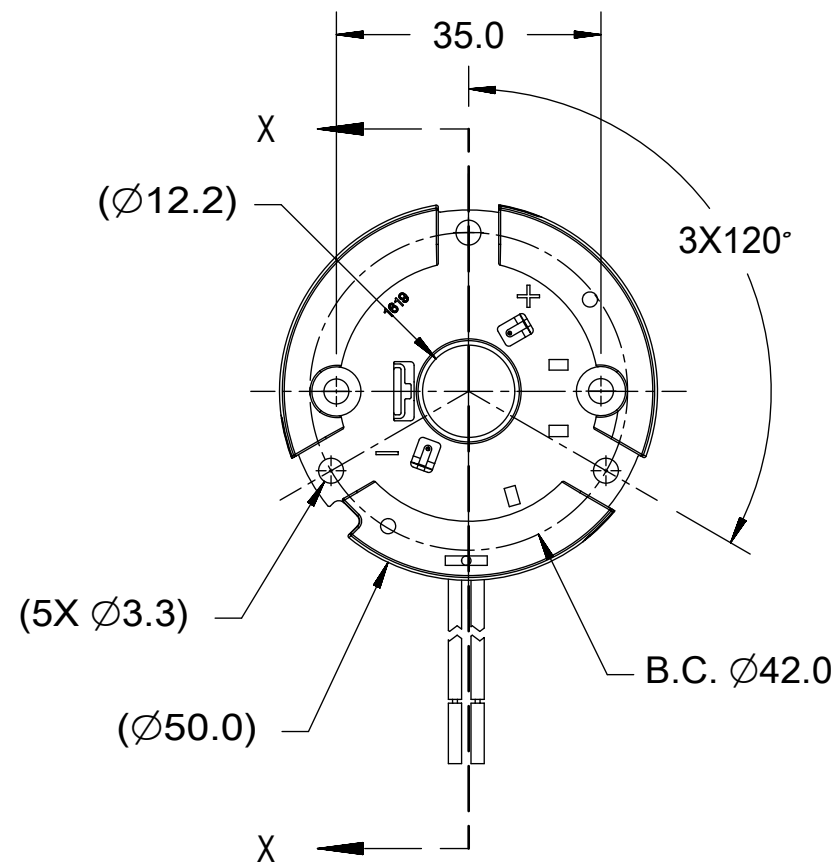
Contact us

Tel: +86-755-8981 8866 Fax: +86-755-8427 6832

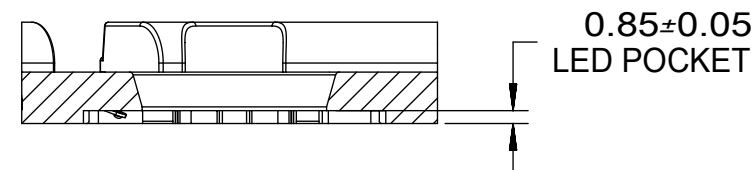
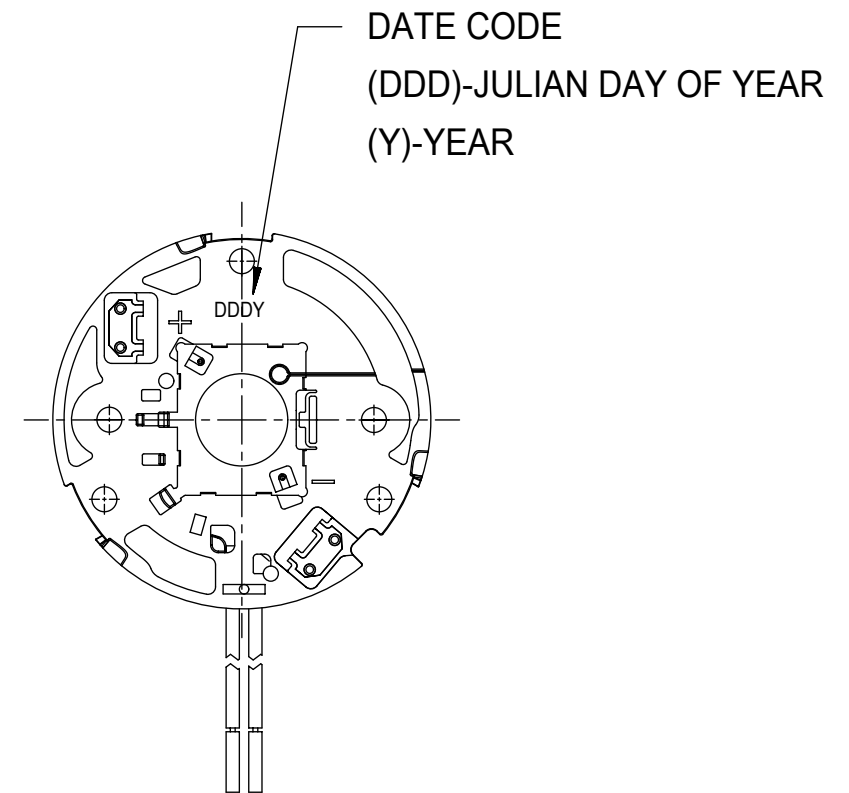
Email & Skype: info@chipsmall.com Web: www.chipsmall.com

Address: A1208, Overseas Decoration Building, #122 Zhenhua RD., Futian, Shenzhen, China

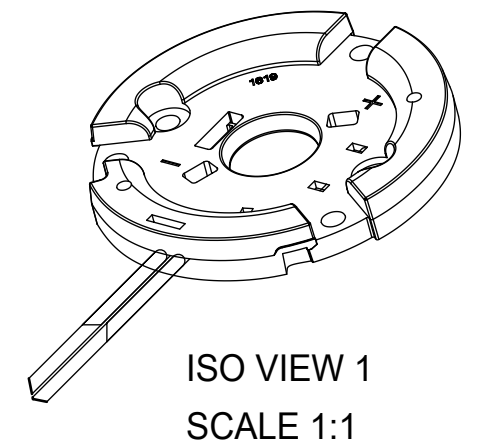




SEE DETAIL 1



DETAIL 1
Scale 2:1



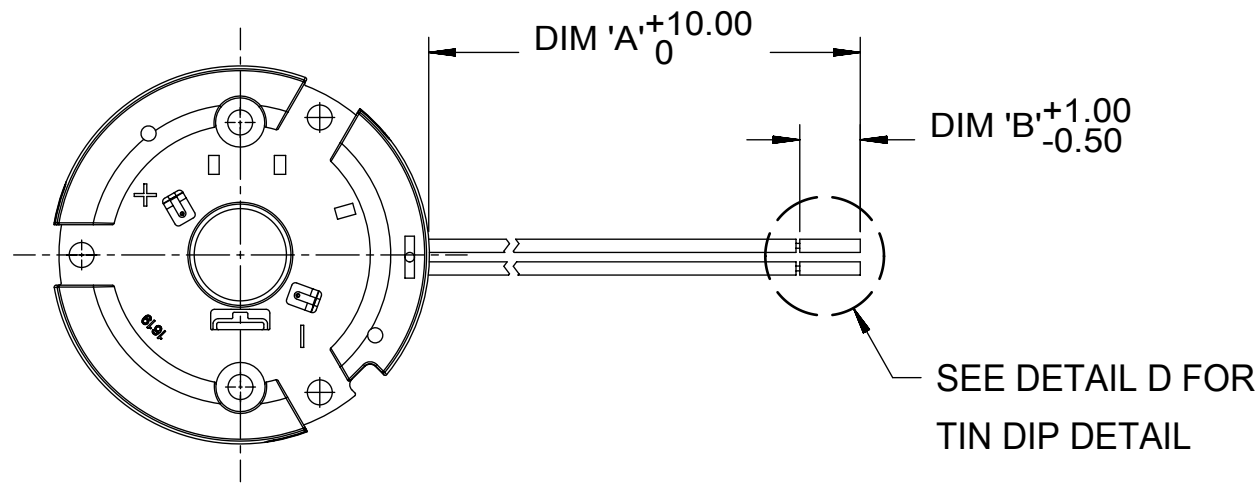
NOTES:

1. MATERIALS: HOUSING: POLYESTER (PBT), GLASS FILLED, UL94 V-0, COLOR: WHITE; TERMINALS: COPPER ALLOY. OPTIONAL: HEAT SHRINK TUBING
2. PLATING: TERMINAL CONTACT : SELECT GOLD (Au) OVER NICKEL (Ni).
3. WIRE SPECIFICATION: UL 3266, 125C, 300V, 20AWG
4. PRODUCT SPECIFICATION: PS-180555-002
5. PACKAGING SPECIFICATION: PK-180559-013 AND PK-180559-014.
6. APPLICATION SPECIFICATION: AS-180555-200.
7. DESIGNED TO BE USED WITH LUMILEDS COB 1202/1203.
8. MOUNT HOLDER UTILIZING M3 SCREWS, TORQUE: 0.4 MINIMUM NEWTON METERS, 0.8 NEWTON METERS MAX.
9. UL 8754 RECOGNITION PENDING. FILE NUMBER: TBD
10. THIS PRODUCT IS ELV AND ROHS COMPLIANT
11. ALL DIMENSIONS IN PARENTHESIS (XX.XX) ARE FOR REFERENCE ONLY.

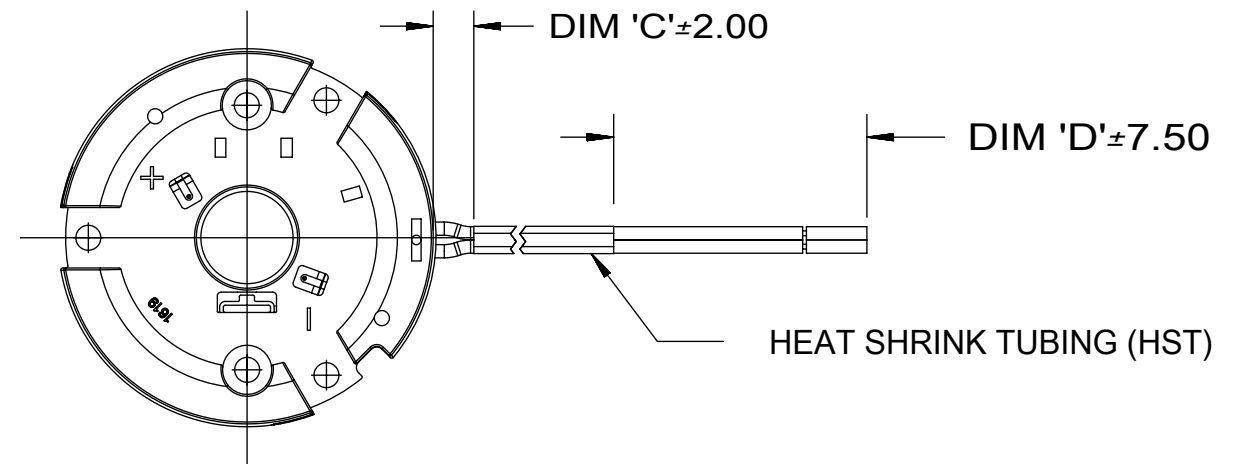
THIS DRAWING CONTAINS INFORMATION THAT IS PROPRIETARY TO MOLEX ELECTRONIC TECHNOLOGIES, LLC AND SHOULD NOT BE USED WITHOUT WRITTEN PERMISSION										
QUALITY SYMBOLS ▽ = 0 ▽ = 0 ▽ = 0 ▼ = 0 ▽ = 0 ⊠ = 0 ■ = 0 ▽ = 0	EC NO:	2016/09/08	GENERAL TOLERANCES (UNLESS SPECIFIED)	DIMENSION UNITS	SCALE					
	DRWN:	LZABJANOVSKI	ANGULAR TOL ± 0.5 °	MM	1:1					
	CHKD:	GMEYER	4 PLACES ±	DRWN BY	DATE	SLIMRAY COB HOLDER ASSEMBLY 16MM X 19MM				
	APPR:	GMEYER	3 PLACES ±	MDEVITO001	2015/02/20					
	REV	A3	2 PLACES ± 0.13	CHK'D BY	DATE	PRODUCT CUSTOMER DRAWING				
			1 PLACE ± 0.25	GMEYER	2015/04/15					
			0 PLACES ±	APPR BY	DATE	SERIES	MATERIAL NUMBER	CUSTOMER		
			DRAFT WHERE APPLICABLE MUST REMAIN WITHIN DIMENSIONS	GMEYER	2015/04/15	180555	SEE CHART	GENERAL MARKET		
				DRAWING SIZE	THIRD ANGLE PROJECTION	DOCUMENT NUMBER		DOC TYPE	DOC PART	SHEET NUMBER
				B		SD-180555-131		PSD	000	1 OF 3

RELEASE STATUS	RELEASE DATE
----------------	--------------

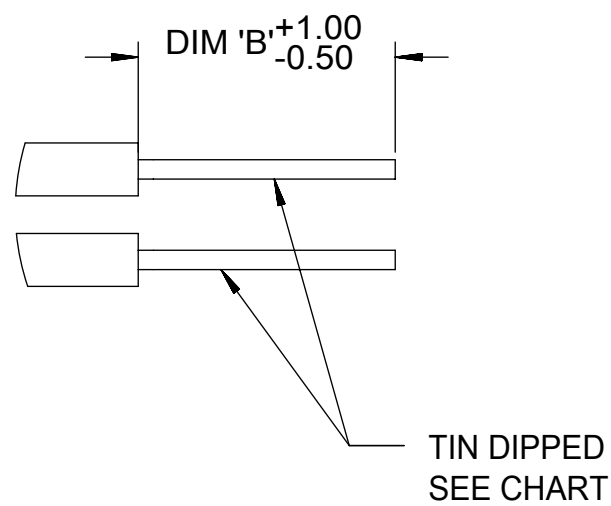
MOLEX PART NUMBER	DESCRIPTION	WIRE LENGTH	WIRE TYPE	FINISH	HEAT SHRINK TUBING	DIM. 'A'	DIM. 'B'	DIM. 'C'	DIM. 'D'
180555-1031	COB HOLDER W/O TUBING	600	STRANDED	TIN DIPPED	NO	600	8.5	X	X
180555-1033	COB HOLDER WITH HST	600	STRANDED	TIN DIPPED	YES (BLK)	600	8.5	5	22.5
180555-1034	COB HOLDER W/O TUBING	250	STRANDED	TIN DIPPED	NO	250	8.5	X	X
180555-1038	COB HOLDER WITH HST	600	STRANDED	TIN DIPPED	YES (WHT)	600	8.5	5	22.5



COB HOLDER WITHOUT HEAT SHRINK TUBING



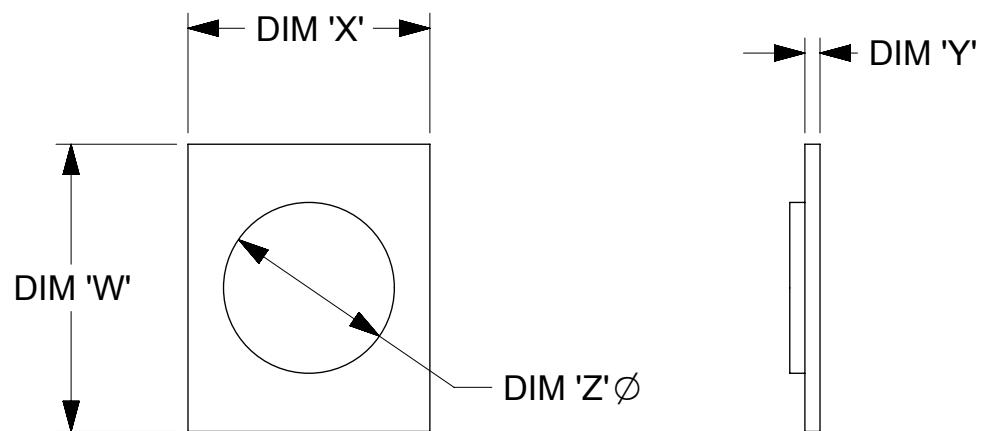
COB HOLDER WITH HEAT SHRINK TUBING



DETAIL D
Scale 4:1

THIS DRAWING CONTAINS INFORMATION THAT IS PROPRIETARY TO MOLEX ELECTRONIC TECHNOLOGIES, LLC AND SHOULD NOT BE USED WITHOUT WRITTEN PERMISSION												
QUALITY SYMBOLS 	EC NO: 108665 DRWN: LZABJANOVSKI CHK'D: APPR: GMEYER	2016/09/08 2016/09/21	GENERAL TOLERANCES (UNLESS SPECIFIED)		DIMENSION UNITS	SCALE	 SLIMRAY COB HOLDER ASSEMBLY 16MM X 19MM					
			ANGULAR TOL ± 0.5 °		MM	1 : 1						
			4 PLACES ±	3 PLACES ±	DRWN BY	DATE						
			2 PLACES ± 0.13	1 PLACE ± 0.25	MDEVITO001	2015/02/20						
			0 PLACES ±	DRAFT WHERE APPLICABLE MUST REMAIN WITHIN DIMENSIONS		CHK'D BY	DATE	GMEYER	2015/04/15	PRODUCT CUSTOMER DRAWING		
			DRAWING SIZE		THIRD ANGLE PROJECTION	APPR BY	DATE	GMEYER	2015/04/15			
			B				SERIES	MATERIAL NUMBER	CUSTOMER	180555 SEE CHART GENERAL MARKET		
			A3		REV		DOCUMENT NUMBER		DOC TYPE			
							SD-180555-131		PSD	000	2 OF 3	

COB MFG	TYPE	DIM 'W'	DIM 'X'	DIM 'Y'	DIM 'Z'
LUMILEDS	LUXEON 1202/1203	19.0	16.0	1.0	11.3
NICHIA	NFC*L036B*	19.0	16.0	1.0	10.7



COB LED

QUALITY SYMBOLS	THIS DRAWING CONTAINS INFORMATION THAT IS PROPRIETARY TO MOLEX ELECTRONIC TECHNOLOGIES, LLC AND SHOULD NOT BE USED WITHOUT WRITTEN PERMISSION											
▽ = 0	EC NO: 108665 DRWN: LZABJANOVSKI CHK'D: APPR: GMEYER	2016/09/08 2016/09/21	GENERAL TOLERANCES (UNLESS SPECIFIED)		DIMENSION UNITS	SCALE						
▽ = 0			ANGULAR TOL ± 0.5 °		MM	NTS						
▽ = 0			4 PLACES ±	DRWN BY DATE		MDEVITO001					2015/02/20	
▽ = 0			3 PLACES ±		CHK'D BY DATE		GMEYER	2015/04/15	SLIMRAY COB HOLDER ASSEMBLY 16MM X 19MM			
▽ = 0			2 PLACES ± 0.13		APPR BY DATE		GMEYER	2015/04/15				
▽ = 0			1 PLACE ± 0.25		DRAWING SIZE		B	THIRD ANGLE PROJECTION	PRODUCT CUSTOMER DRAWING			
▽ = 0			0 PLACES ±		DRAFT WHERE APPLICABLE MUST REMAIN WITHIN DIMENSIONS							
□ = 0			A3		REV		3		SERIES	MATERIAL NUMBER	CUSTOMER	
■ = 0			A3		REV		3		180555	SEE CHART	GENERAL MARKET	
▽ = 0			A3		REV		3		DOCUMENT NUMBER		DOC TYPE	DOC PART
▽ = 0	A3		REV		3		SD-180555-131		PSD	000	3 OF 3	

RELEASE STATUS	P1	RELEASE DATE	21.09.2016	20:40:44
----------------	----	--------------	------------	----------