



Chipsmall Limited consists of a professional team with an average of over 10 year of expertise in the distribution of electronic components. Based in Hongkong, we have already established firm and mutual-benefit business relationships with customers from,Europe,America and south Asia,supplying obsolete and hard-to-find components to meet their specific needs.

With the principle of “Quality Parts,Customers Priority,Honest Operation,and Considerate Service”,our business mainly focus on the distribution of electronic components. Line cards we deal with include Microchip,ALPS,ROHM,Xilinx,Pulse,ON,Everlight and Freescale. Main products comprise IC,Modules,Potentiometer,IC Socket,Relay,Connector.Our parts cover such applications as commercial,industrial, and automotives areas.

We are looking forward to setting up business relationship with you and hope to provide you with the best service and solution. Let us make a better world for our industry!



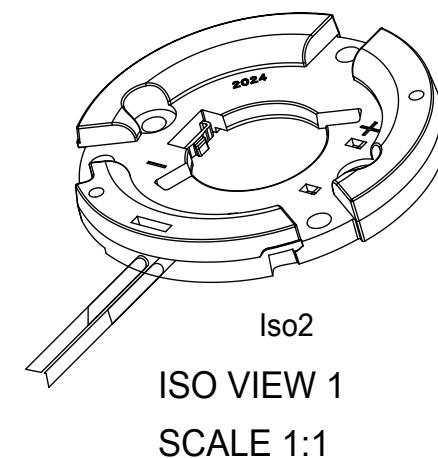
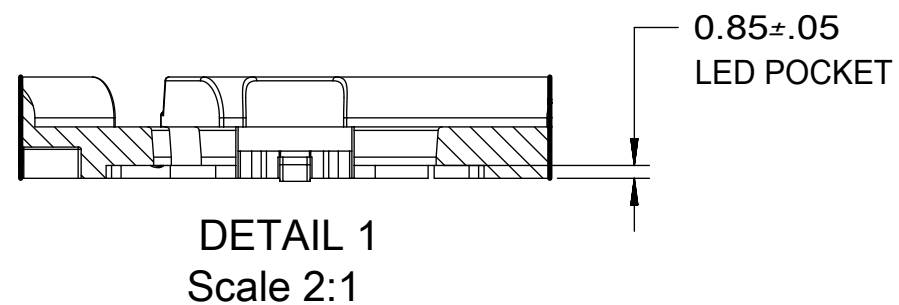
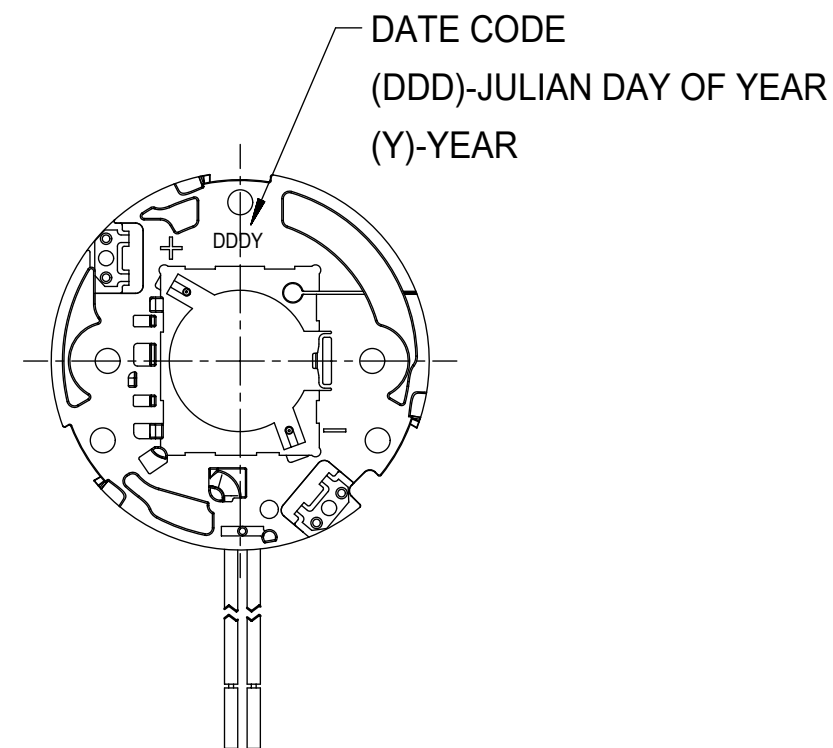
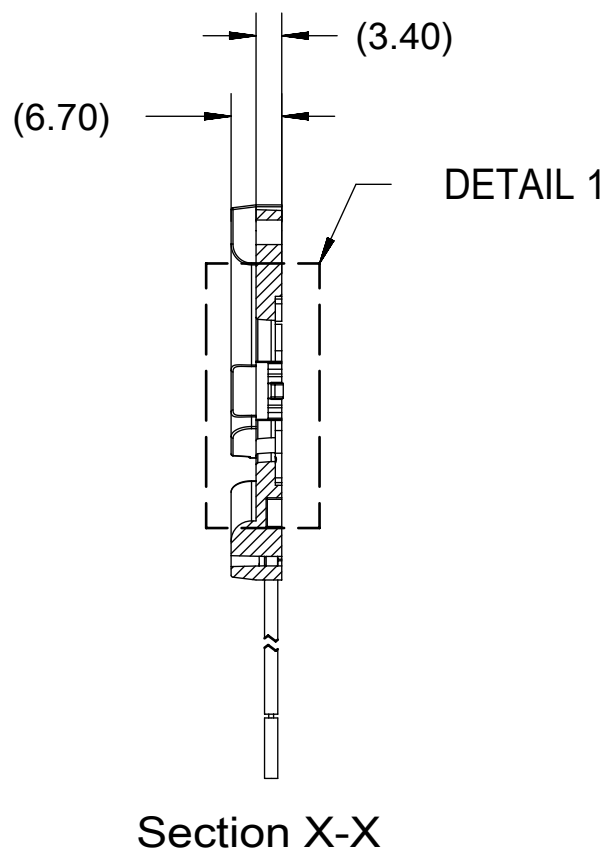
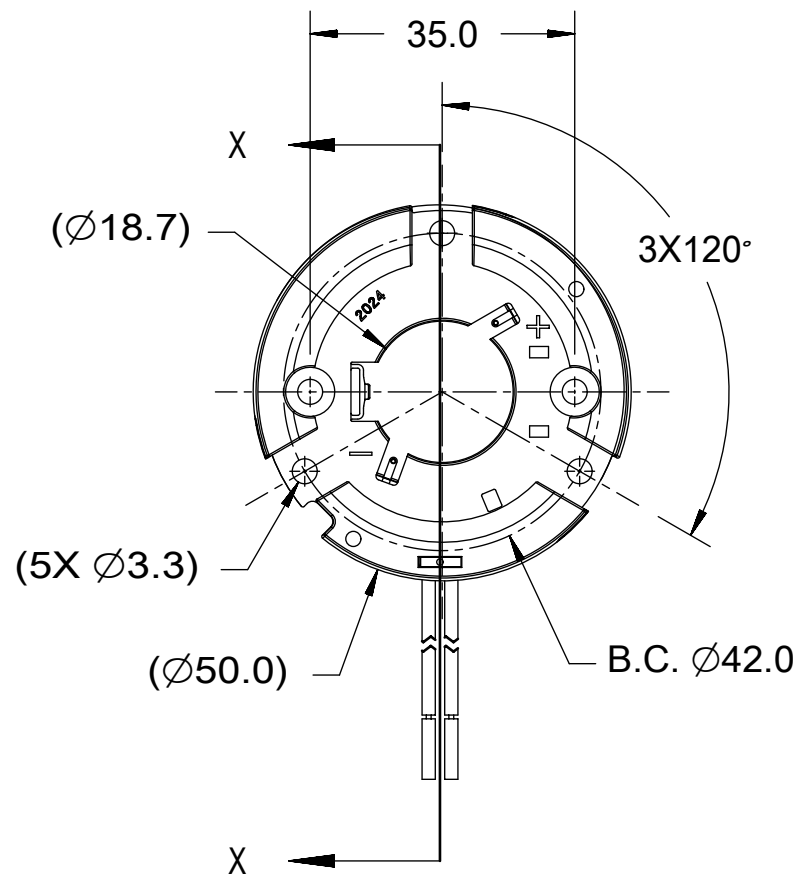
Contact us

Tel: +86-755-8981 8866 Fax: +86-755-8427 6832

Email & Skype: info@chipsmall.com Web: www.chipsmall.com

Address: A1208, Overseas Decoration Building, #122 Zhenhua RD., Futian, Shenzhen, China





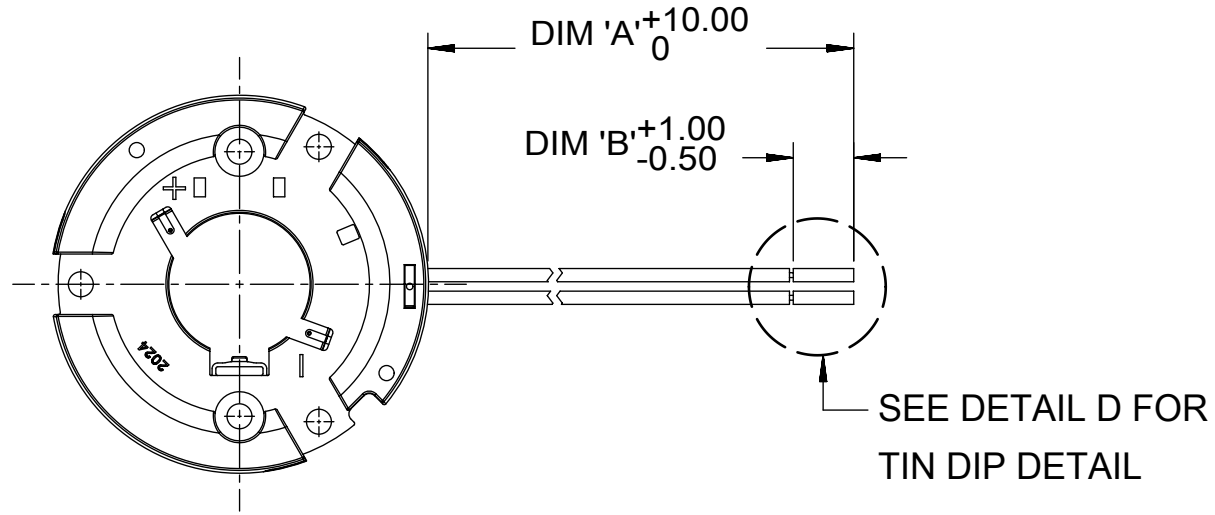
NOTES:

1. MATERIALS: HOUSING: POLYESTER (PBT), GLASS FILLED, UL94 V-0, COLOR: WHITE; TERMINALS: COPPER ALLOY. OPTIONAL: HEAT SHRINK TUBING
2. PLATING: TERMINAL CONTACT : SELECT GOLD (Au) OVER NICKEL (Ni).
3. WIRE SPECIFICATION: UL 3266, 125C, 300V, 20AWG
4. PRODUCT SPECIFICATION: PS-180555-002
5. PACKAGING SPECIFICATION: PK-180559-013 AND PK-180559-014.
6. APPLICATION SPECIFICATION: AS-180555-200.
7. DESIGNED TO BE USED WITH LUMILEDS COB 1204/1205/1208.
8. MOUNT HOLDER UTILIZING M3 SCREWS, TORQUE: 0.4 MINIMUM NEWTON METERS, 0.8 NEWTON METERS MAX.
9. UL 8754 RECOGNITION PENDING. FILE NUMBER: TBD
10. THIS PRODUCT IS ELV AND ROHS COMPLIANT
11. ALL DIMENSIONS IN PARENTHESIS (XX.XX) ARE FOR REFERENCE ONLY.

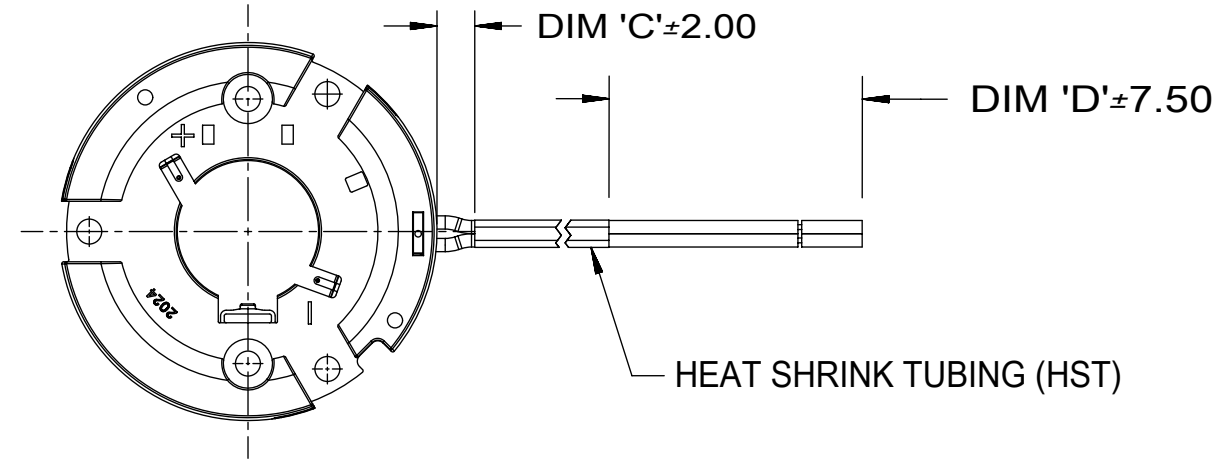
THIS DRAWING CONTAINS INFORMATION THAT IS PROPRIETARY TO MOLEX ELECTRONIC TECHNOLOGIES, LLC AND SHOULD NOT BE USED WITHOUT WRITTEN PERMISSION												
QUALITY SYMBOLS ▽ = 0 ▽ = 0 ▽ = 0 ▼ = 0 ▽ = 0 ⊠ = 0 ■ = 0 ▽ = 0	EC NO: 108665 DRWN: LZABJANOVSKI CHKD: APPR: GMEYER	2016/09/08 2016/09/21	GENERAL TOLERANCES (UNLESS SPECIFIED)		DIMENSION UNITS	SCALE						
			ANGULAR TOL ± 0.5 °		MM	1:1						
			4 PLACES ±	DRWN BY DATE		MDEVITO001						2015/06/11
			3 PLACES ±	CHK'D BY DATE		GMEYER						2015/06/12
2 PLACES ± 0.25		APPR BY DATE		PRODUCT CUSTOMER DRAWING								
1 PLACE ± 0.13		DRAWING SIZE		THIRD ANGLE PROJECTION	SERIES		MATERIAL NUMBER		CUSTOMER			
0 PLACES ±		B			180555	SEE CHART		GENERAL MARKET				
DRAFT WHERE APPLICABLE MUST REMAIN WITHIN DIMENSIONS		A4		DOCUMENT NUMBER		DOC TYPE	DOC PART	SHEET NUMBER				
		REV		SD-180555-141		PSD	000	1 OF 3				

RELEASE STATUS	RELEASE DATE
----------------	--------------

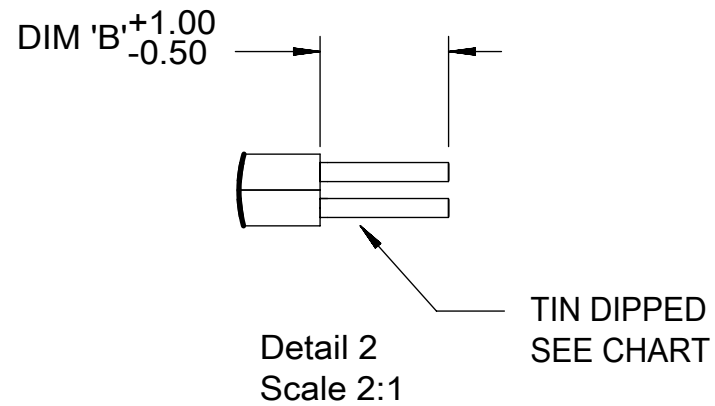
MOLEX PART NUMBER	DESCRIPTION	WIRE LENGTH	WIRE TYPE	FINISH	HEAT SHRINK TUBING	DIM. 'A'	DIM. 'B'	DIM. 'C'	DIM. 'D'
180555-1041	COB HOLDER W/O TUBING	600	STRANDED	TIN DIPPED	NO	600	8.5	X	X
180555-1043	COB HOLDER WITH HST	600	STRANDED	TIN DIPPED	YES (BLK)	600	8.5	5	22.5
180555-1044	COB HOLDER W/O TUBING	250	STRANDED	TIN DIPPED	NO	250	8.5	X	X
180555-1045	COB HOLDER W/O TUBING	700	STRANDED	TIN DIPPED	NO	700	8.5	X	X
180555-1048	COB HOLDER WITH HST	600	STRANDED	TIN DIPPED	YES (WHT)	600	8.5	5	22.5



COB HOLDER WITHOUT HEAT SHRINK TUBING



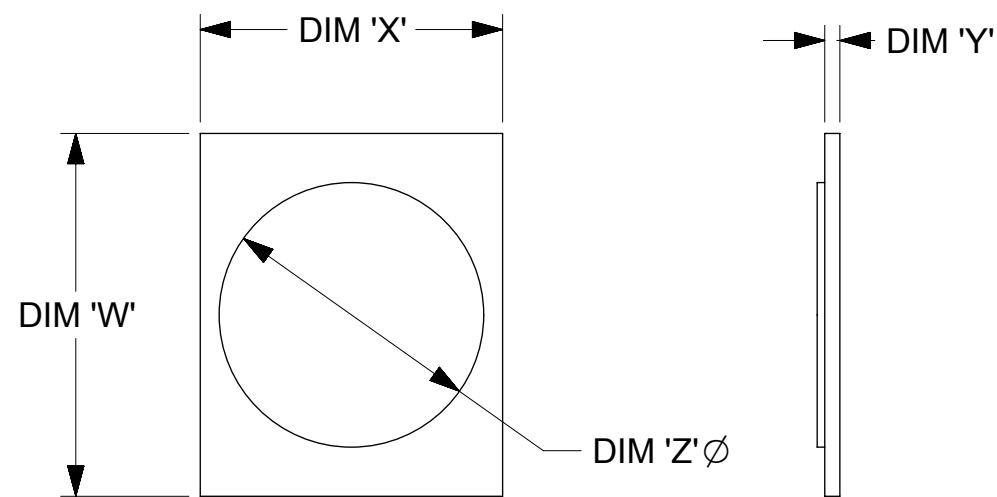
COB HOLDER WITH HEAT SHRINK TUBING



THIS DRAWING CONTAINS INFORMATION THAT IS PROPRIETARY TO MOLEX ELECTRONIC TECHNOLOGIES, LLC AND SHOULD NOT BE USED WITHOUT WRITTEN PERMISSION									
QUALITY SYMBOLS	EC NO: 108665 DRWN: LZABJANOVSKI CHKD: APPR: GMEYER	2016/09/08 2016/09/21	GENERAL TOLERANCES (UNLESS SPECIFIED)		DIMENSION UNITS	SCALE			
			4 PLACES	±	MM	1:1			
▽ = 0	DRAFT WHERE APPLICABLE MUST REMAIN WITHIN DIMENSIONS	A4	ANGULAR TOL ± 0.5 °	DRWN BY	DATE	SLIMRAY COB HOLDER ASSEMBLY 20MM X 24MM			
▽ = 0			3 PLACES	±	MDEVITO001				2015/06/11
▽ = 0			2 PLACES	± 0.25	CHK'D BY	DATE	PRODUCT CUSTOMER DRAWING		
▼ = 0			1 PLACE	± 0.13	GMEYER	2015/06/12			
▽ = 0			0 PLACES	±	APPR BY	DATE	SERIES	MATERIAL NUMBER	CUSTOMER
⊠ = 0			DRAWING SIZE		THIRD ANGLE PROJECTION		180555	SEE CHART	GENERAL MARKET
■ = 0	B				DOCUMENT NUMBER	DOC TYPE	DOC PART	SHEET NUMBER	
▽ = 0	3				SD-180555-141	PSD	000	2 OF 3	

RELEASE STATUS	RELEASE DATE
----------------	--------------

COB MFG	TYPE	DIM 'W'	DIM 'X'	DIM 'Y'	DIM 'Z'
LUMILEDS	LUXEON 1204/1205	24.0	20.0	1.0	15.5
LUMILEDS	LUXEON 1208	24.0	20.0	1.0	17.5
EVERLIGHT	EAHP2024W**	24.0	20.0	1.0	17.5



COB LED

QUALITY SYMBOLS	THIS DRAWING CONTAINS INFORMATION THAT IS PROPRIETARY TO MOLEX ELECTRONIC TECHNOLOGIES, LLC AND SHOULD NOT BE USED WITHOUT WRITTEN PERMISSION											
▽ = 0	EC NO: 108665 DRWN: LZABJANOVSKI CHK'D: APPR: GMEYER	2016/09/08 2016/09/21	GENERAL TOLERANCES (UNLESS SPECIFIED)		DIMENSION UNITS	SCALE						
▽ = 0			ANGULAR TOL ± 0.5 °		MM	NTS						
▽ = 0			4 PLACES ±	DRWN BY DATE		MDEVITO001					2015/06/11	
▼ = 0			DRAFT WHERE APPLICABLE MUST REMAIN WITHIN DIMENSIONS		3 PLACES ±	CHK'D BY DATE		SLIMRAY COB HOLDER ASSEMBLY 20MM X 24MM				
▽ = 0					2 PLACES ± 0.25	GMEYER						2015/06/12
☒ = 0					1 PLACE ± 0.13	APPR BY DATE		PRODUCT CUSTOMER DRAWING				
■ = 0					0 PLACES ±	DRAWING SIZE						THIRD ANGLE PROJECTION
▽ = 0			A4	REV	B			SERIES	MATERIAL NUMBER	CUSTOMER		
								180555	SEE CHART	GENERAL MARKET		
								DOCUMENT NUMBER		DOC TYPE	DOC PART	SHEET NUMBER
						SD-180555-141		PSD	000	3 OF 3		

RELEASE STATUS	RELEASE DATE
----------------	--------------