



Chipsmall Limited consists of a professional team with an average of over 10 year of expertise in the distribution of electronic components. Based in Hongkong, we have already established firm and mutual-benefit business relationships with customers from,Europe,America and south Asia,supplying obsolete and hard-to-find components to meet their specific needs.

With the principle of “Quality Parts,Customers Priority,Honest Operation,and Considerate Service”,our business mainly focus on the distribution of electronic components. Line cards we deal with include Microchip,ALPS,ROHM,Xilinx,Pulse,ON,Everlight and Freescale. Main products comprise IC,Modules,Potentiometer,IC Socket,Relay,Connector.Our parts cover such applications as commercial,industrial, and automotives areas.

We are looking forward to setting up business relationship with you and hope to provide you with the best service and solution. Let us make a better world for our industry!



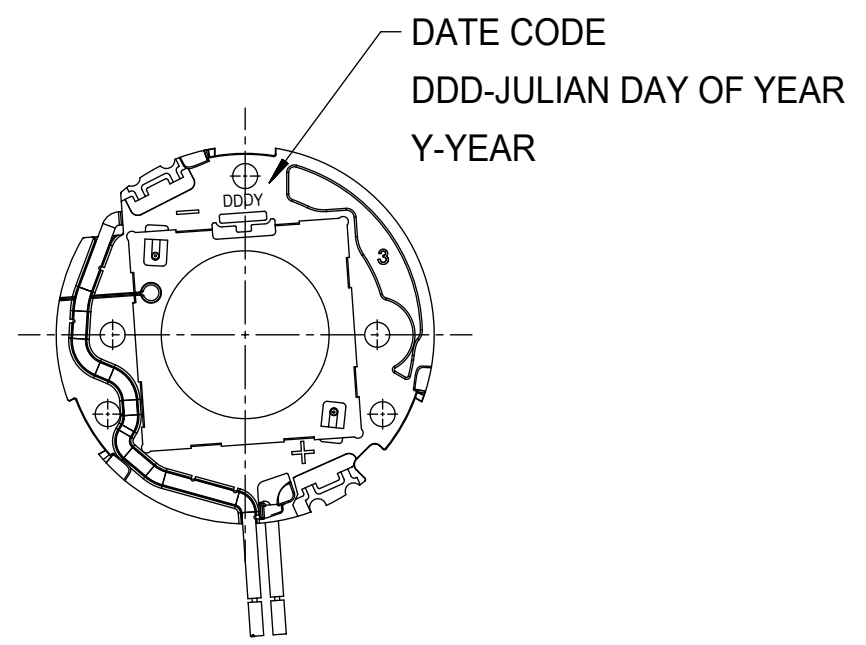
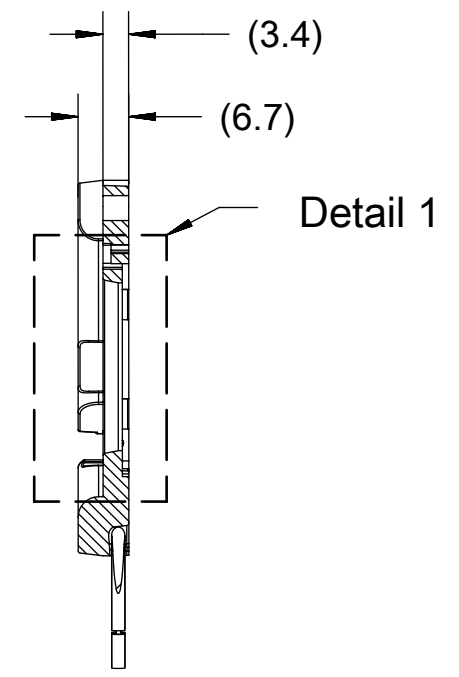
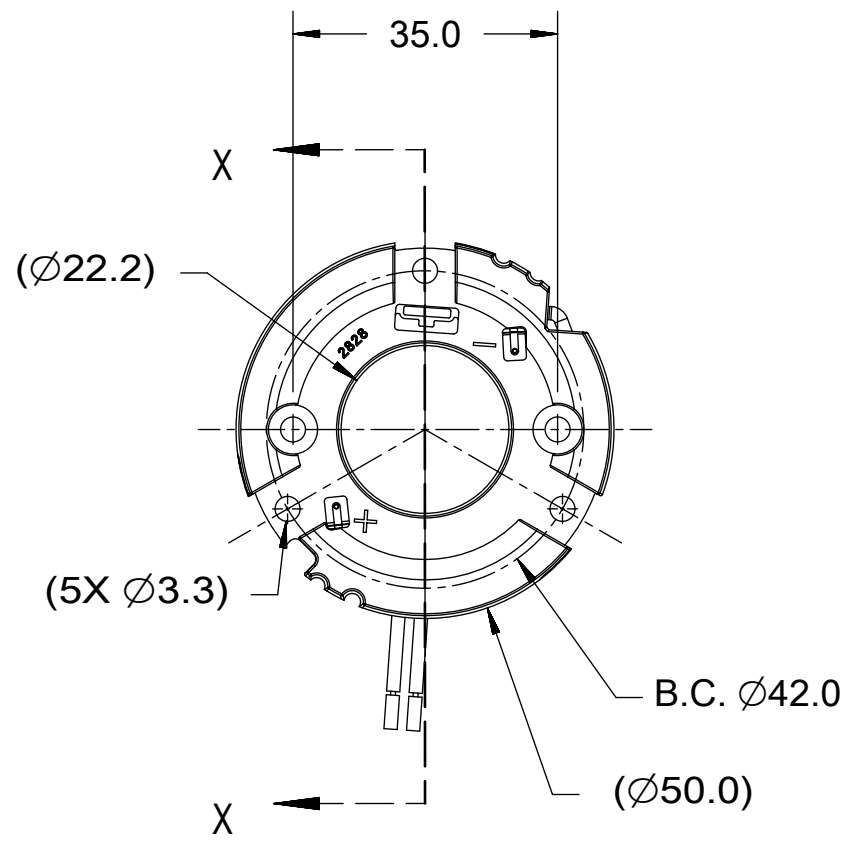
Contact us

Tel: +86-755-8981 8866 Fax: +86-755-8427 6832

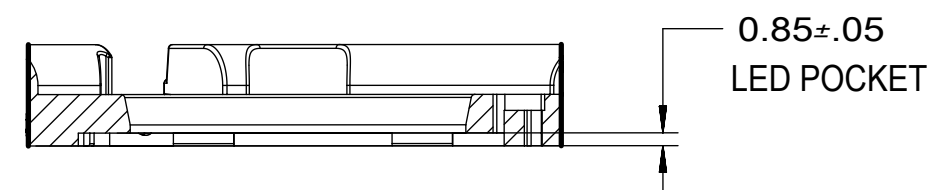
Email & Skype: info@chipsmall.com Web: www.chipsmall.com

Address: A1208, Overseas Decoration Building, #122 Zhenhua RD., Futian, Shenzhen, China

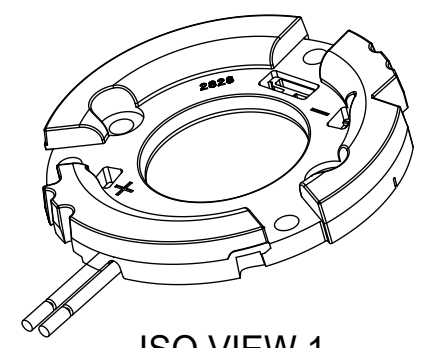




Section X-X



Detail 1
Scale 2:1



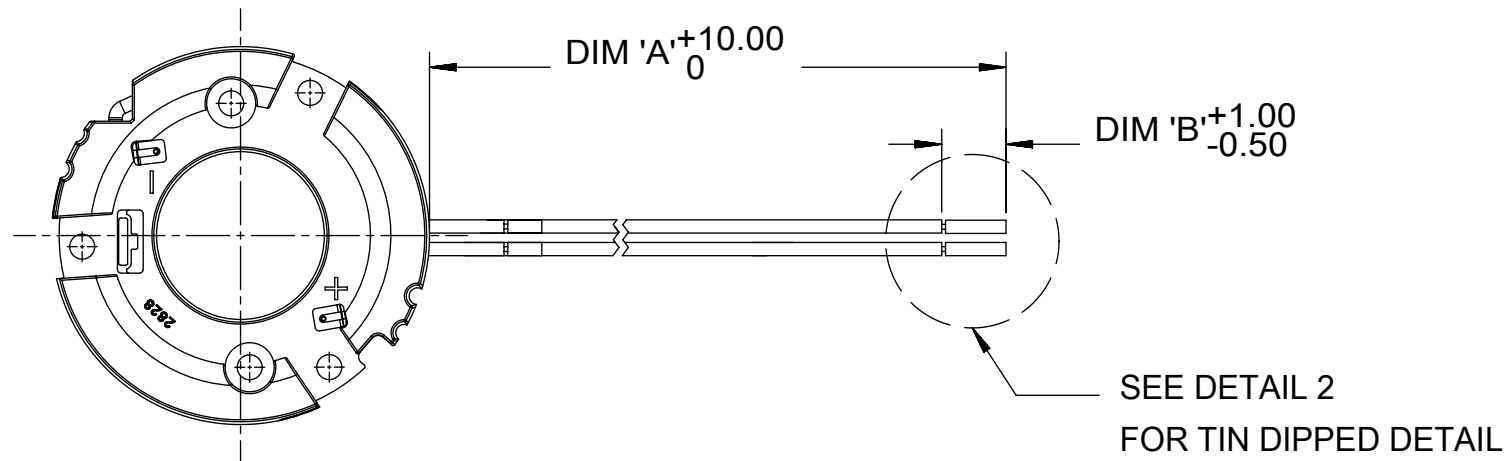
ISO VIEW 1
SCALE 1:1

- NOTES:
1. MATERIALS: HOUSING: POLYESTER (PBT), GLASS FILLED, UL94 V-0, COLOR: WHITE; TERMINALS: COPPER ALLOY. OPTIONAL: HEAT SHRINK TUBING
 2. PLATING: TERMINAL CONTACT : SELECT GOLD (Au) OVER NICKEL (Ni).
 3. WIRE SPECIFICATION: UL 3266, 125C, 300V, 20AWG
 4. PRODUCT SPECIFICATION: PS-180555-002
 5. PACKAGING SPECIFICATION: PK-180559-013 AND PK-180559-014.
 6. APPLICATION SPECIFICATION: AS-180555-200.
 7. DESIGNED TO BE USED WITH LUMILEDS COB 1211.
 8. MOUNT HOLDER UTILIZING M3 SCREWS, TORQUE: 0.4 MINIMUM NEWTON METERS, 0.8 NEWTON METERS MAX.
 9. UL 8754 RECOGNITION PENDING. FILE NUMBER: TBD
 10. THIS PRODUCT IS ELV AND ROHS COMPLIANT
 11. ALL DIMENSIONS IN PARENTHESIS (XX.XX) ARE FOR REFERENCE ONLY.

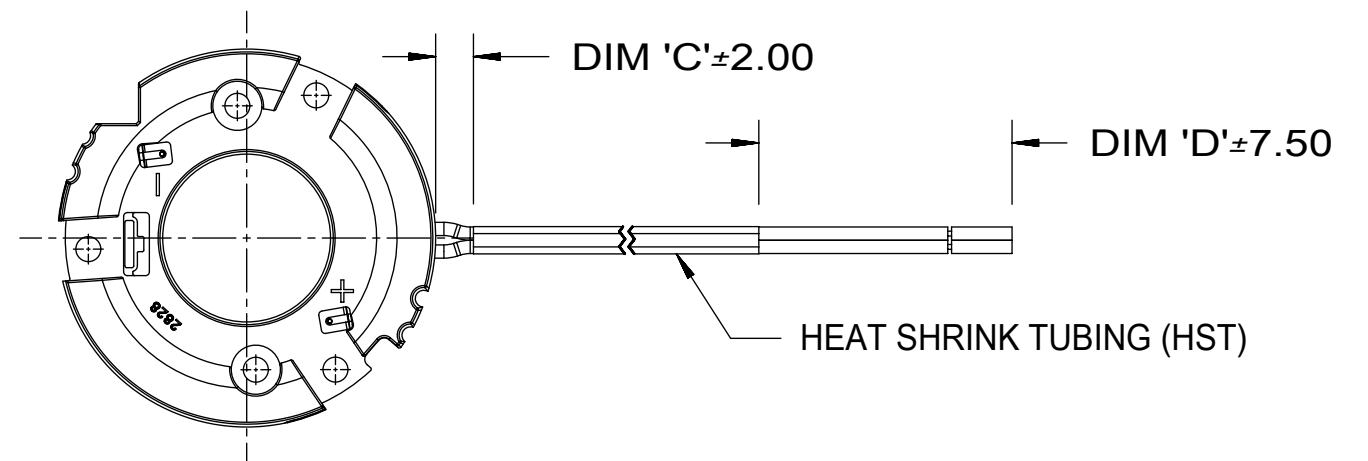
THIS DRAWING CONTAINS INFORMATION THAT IS PROPRIETARY TO MOLEX ELECTRONIC TECHNOLOGIES, LLC AND SHOULD NOT BE USED WITHOUT WRITTEN PERMISSION											
QUALITY SYMBOLS ▽ = 0 ▽ = 0 ▽ = 0 ▼ = 0 ▽ = 0 ⊠ = 0 ■ = 0 ▽ = 0	EC NO: 108665 DRWN: LZABJANOVSKI CHKD: APPR: GMEYER	2016/09/08 2016/09/21	GENERAL TOLERANCES (UNLESS SPECIFIED)		DIMENSION UNITS	SCALE					
			ANGULAR TOL ± 0.5 °		MM	1:1					
			4 PLACES ±	DRWN BY	DATE						
			3 PLACES ±	MDEVITO001	2015/02/25						
			2 PLACES ± 0.13	CHK'D BY	DATE	SLIMRAY COB HOLDER 28MM X 28MM ASSEMBLY					
			1 PLACE ± 0.25	GMEYER	2015/04/15						
			0 PLACES ±	APPR BY	DATE	PRODUCT CUSTOMER DRAWING					
			DRAFT WHERE APPLICABLE MUST REMAIN WITHIN DIMENSIONS		GMEYER				2015/04/15		
			DRAWING SIZE		THIRD ANGLE PROJECTION		SERIES	MATERIAL NUMBER	CUSTOMER		
			B				180555	SEE CHART	GENERAL MARKET		
				DOCUMENT NUMBER	DOC TYPE	DOC PART	SHEET NUMBER				
				A3	SD-180555-151	PSD	000	1 OF 3			

RELEASE STATUS	RELEASE DATE
----------------	--------------

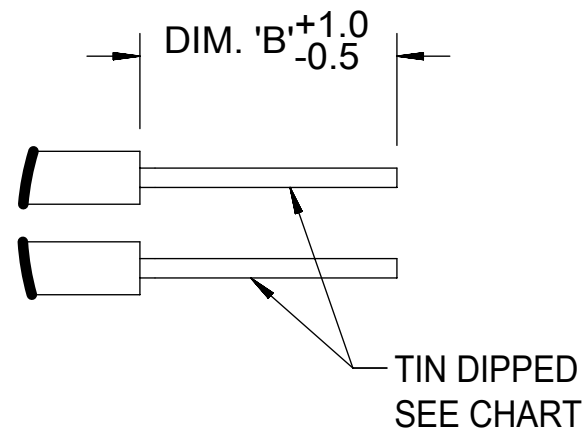
MOLEX PART NUMBER	DESCRIPTION	WIRE LENGTH	WIRE TYPE	FINISH	HEAT SHRINK TUBING	DIM. 'A'	DIM. 'B'	DIM. 'C'	DIM. 'D'
180555-1051	COB HOLDER W/O TUBING	600	STRANDED	TIN DIPPED	NO	600	8.5	X	X
180555-1053	COB HOLDER WITH HST	600	STRANDED	TIN DIPPED	YES (BLK)	600	8.5	5	22.5
180555-1054	COB HOLDER W/O TUBING	250	STRANDED	TIN DIPPED	NO	250	8.5	X	X
180555-1055	COB HOLDER W/O TUBING	700	STRANDED	TIN DIPPED	NO	700	8.5	X	X
180555-1058	COB HOLDER WITH HST	600	STRANDED	TIN DIPPED	YES (WHT)	600	8.5	5	22.5



COB HOLDER WITHOUT HEAT SHRINK TUBING



COB HOLDER WITH HEAT SHRINK TUBING



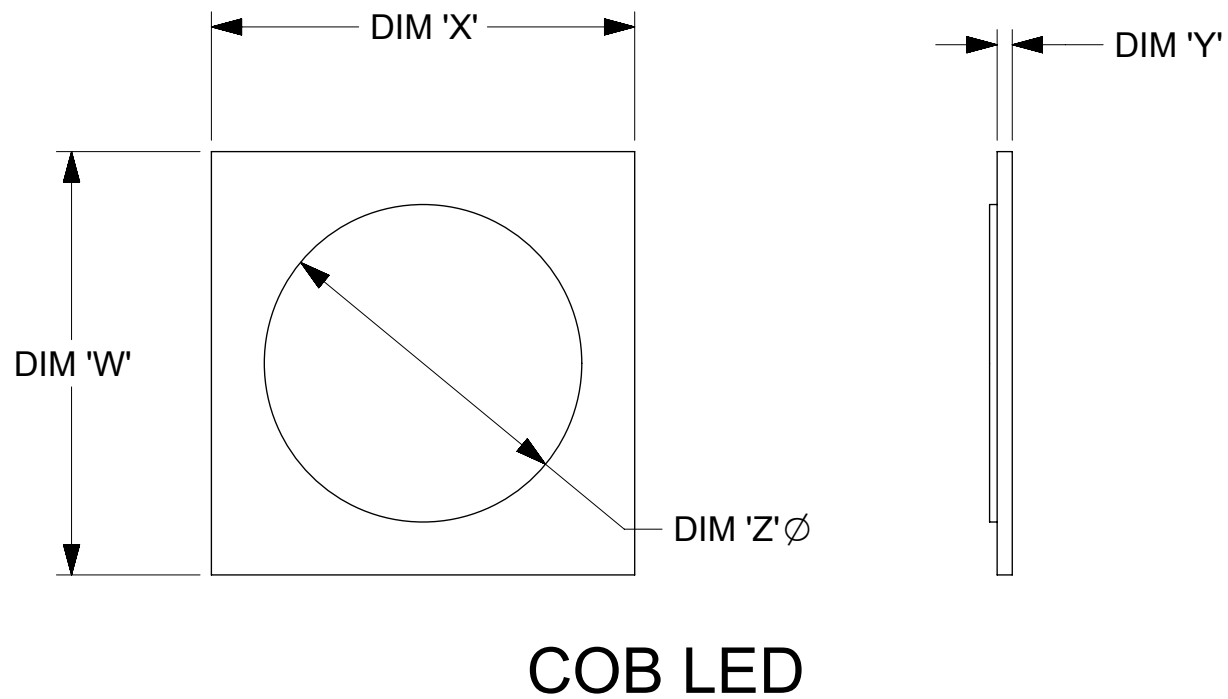
DETAIL 2

SCALE 4:1

QUALITY SYMBOLS	THIS DRAWING CONTAINS INFORMATION THAT IS PROPRIETARY TO MOLEX ELECTRONIC TECHNOLOGIES, LLC AND SHOULD NOT BE USED WITHOUT WRITTEN PERMISSION										
▽ = 0	EC NO: 108665 DRWN: LZABJANOVSKI CHKD: REV APPR: GMEYER	2016/09/08 2016/09/21	GENERAL TOLERANCES (UNLESS SPECIFIED)		DIMENSION UNITS	SCALE					
▽ = 0			ANGULAR TOL ± 0.5 °		MM	1:1					
▽ = 0			4 PLACES ±	DRWN BY	DATE						
▼ = 0					3 PLACES ±	CHK'D BY	DATE	SLIMRAY COB HOLDER 28MM X 28MM ASSEMBLY			
▽ = 0					2 PLACES ± 0.13	GMEYER	2015/04/15				
▽ = 0					1 PLACE ± 0.25	APPR BY	DATE	PRODUCT CUSTOMER DRAWING			
☒ = 0			0 PLACES ±	GMEYER	2015/04/15	SERIES	MATERIAL NUMBER	CUSTOMER			
■ = 0			DRAFT WHERE APPLICABLE MUST REMAIN WITHIN DIMENSIONS		DRAWING SIZE	THIRD ANGLE PROJECTION		180555	SEE CHART	GENERAL MARKET	
▽ = 0	A3				B			DOCUMENT NUMBER	DOC TYPE	DOC PART	SHEET NUMBER
								SD-180555-151	PSD	000	2 OF 3

RELEASE STATUS	RELEASE DATE
----------------	--------------

COB MFG	TYPE	DIM 'W'	DIM 'X'	DIM 'Y'	DIM 'Z'
LUMILEDS	LUXEON 1211	28.0	28.0	1.0	21.0



COB LED

QUALITY SYMBOLS 	THIS DRAWING CONTAINS INFORMATION THAT IS PROPRIETARY TO MOLEX ELECTRONIC TECHNOLOGIES, LLC AND SHOULD NOT BE USED WITHOUT WRITTEN PERMISSION										
	EC NO: 108665 DRWN: LZABJANOVSKI CHK'D: APPR: GMEYER	2016/09/08 2016/09/21	GENERAL TOLERANCES (UNLESS SPECIFIED)		DIMENSION UNITS	SCALE					
			ANGULAR TOL ± 0.5 °		MM	NTS					
			4 PLACES ±	DRWN BY		DATE		SLIMRAY COB HOLDER 28MM X 28MM ASSEMBLY			
			3 PLACES ±	MDEVITO001		2015/02/25					
			2 PLACES ± 0.13	CHK'D BY		DATE					
	1 PLACE ± 0.25	GMEYER		2015/04/15		PRODUCT CUSTOMER DRAWING					
	0 PLACES ±	APPR BY		DATE							
	DRAFT WHERE APPLICABLE MUST REMAIN WITHIN DIMENSIONS		GMEYER		2015/04/15		SERIES	MATERIAL NUMBER	CUSTOMER		
			DRAWING SIZE		THIRD ANGLE PROJECTION		180555	SEE CHART	GENERAL MARKET		
		B				DOCUMENT NUMBER		DOC TYPE	DOC PART	SHEET NUMBER	
		A3				SD-180555-151		PSD	000	3 OF 3	

RELEASE STATUS	RELEASE DATE
----------------	--------------