



Chipsmall Limited consists of a professional team with an average of over 10 year of expertise in the distribution of electronic components. Based in Hongkong, we have already established firm and mutual-benefit business relationships with customers from,Europe,America and south Asia,supplying obsolete and hard-to-find components to meet their specific needs.

With the principle of "Quality Parts,Customers Priority,Honest Operation,and Considerate Service",our business mainly focus on the distribution of electronic components. Line cards we deal with include Microchip,ALPS,ROHM,Xilinx,Pulse,ON,Everlight and Freescale. Main products comprise IC,Modules,Potentiometer,IC Socket,Relay,Connector.Our parts cover such applications as commercial,industrial, and automotives areas.

We are looking forward to setting up business relationship with you and hope to provide you with the best service and solution. Let us make a better world for our industry!



Contact us

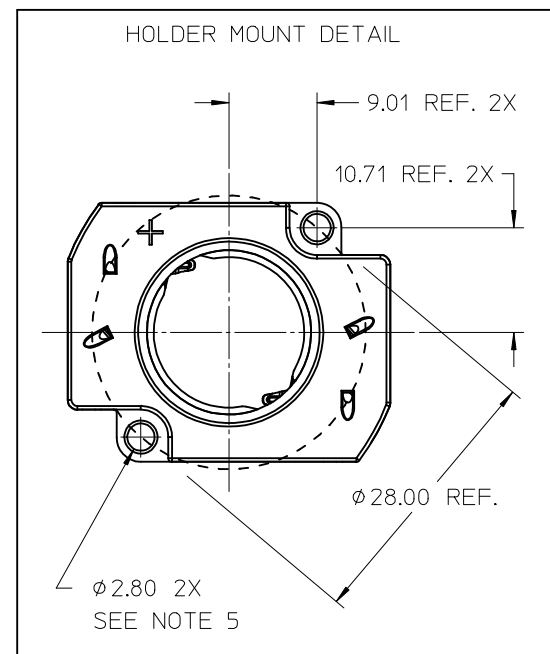
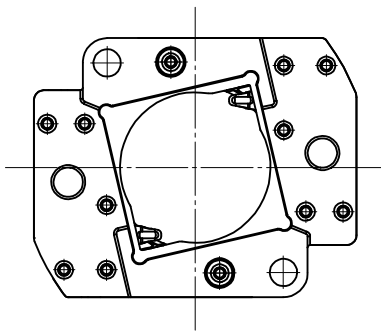
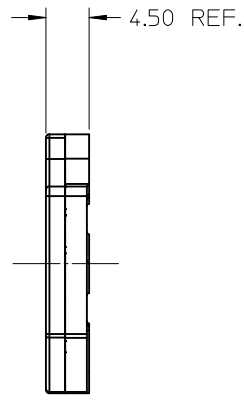
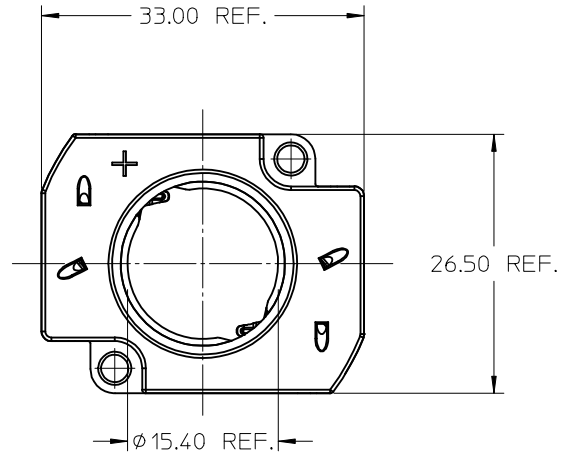
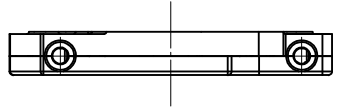
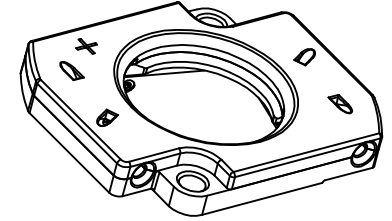
Tel: +86-755-8981 8866 Fax: +86-755-8427 6832

Email & Skype: info@chipsmall.com Web: www.chipsmall.com

Address: A1208, Overseas Decoration Building, #122 Zhenhua RD., Futian, Shenzhen, China



10	9	8	7	6	5	4	3	2	1
PART NUMBER	DESCRIPTION								
180560-0001	CXA15 LED HOLDER								



- NOTES:
- MATERIALS:
 - TOP HOUSING: WHITE COLOR PBT 30% GF UL94V-0
 - BOTTOM HOUSING: WHITE COLOR PBT 30% GF UL94V-0
 - WIRE TRAP TERMINALS: COPPER ALLOY
 - FINISH: SELECTIVE GOLD OVER NICKEL
 - THIS PRODUCT IS ELV AND ROHS COMPLIANT
 - APPLICABLE WIRE GAUGE - 18 OR 20 AWG
 - SOLID WIRE IS RECOMMENDED
 - IF STRANDED WIRE IS USED, PRE-TINNED IS RECOMMENDED
 - 11.0mm±1.0mm STRIP LENGTH IS RECOMMENDED
 - MOUNT HOLDER USING M2.5 SCREWS (2), 0.8 NEWTON METERS MAXIMUM TORQUE

ENTER DESCRIPTION EC NO: SSL2013-0113 DRAWN BY: JAKLIC 2013/04/09 CHKD: JAKLIC APPR: DMCGOWAN 2013/04/09 REV: 2	QUALITY SYMBOLS 	GENERAL TOLERANCES (UNLESS SPECIFIED)		DIMENSION STYLE MM ONLY		SCALE 2:1	DESIGN UNITS METRIC	THIRD ANGLE PROJECTION			
		4 PLACES ± --- ± --- 3 PLACES ± --- ± --- 2 PLACES ± 0.13 ± --- 1 PLACE ± 0.25 ± --- 0 PLACE ± --- ± ---	mm INCH ± --- ± --- ± --- ± --- ± --- ± --- ± --- ± ---	DRAWN BY FJAKLIC	DATE 2012/08/10	TITLE CXA15 HOLDER ASSEMBLY					
		DRAFT WHERE APPLICABLE MUST REMAIN WITHIN DIMENSIONS		CHECKED BY DATE	APPROVED BY DMCGOWAN	DATE 2012/08/17	MATERIAL NO. 1805600001				
		THIS DRAWING CONTAINS INFORMATION THAT IS PROPRIETARY TO MOLEX INCORPORATED AND SHOULD NOT BE USED WITHOUT WRITTEN PERMISSION									