



Chipsmall Limited consists of a professional team with an average of over 10 year of expertise in the distribution of electronic components. Based in Hongkong, we have already established firm and mutual-benefit business relationships with customers from,Europe,America and south Asia,supplying obsolete and hard-to-find components to meet their specific needs.

With the principle of “Quality Parts,Customers Priority,Honest Operation,and Considerate Service”,our business mainly focus on the distribution of electronic components. Line cards we deal with include Microchip,ALPS,ROHM,Xilinx,Pulse,ON,Everlight and Freescale. Main products comprise IC,Modules,Potentiometer,IC Socket,Relay,Connector.Our parts cover such applications as commercial,industrial, and automotives areas.

We are looking forward to setting up business relationship with you and hope to provide you with the best service and solution. Let us make a better world for our industry!



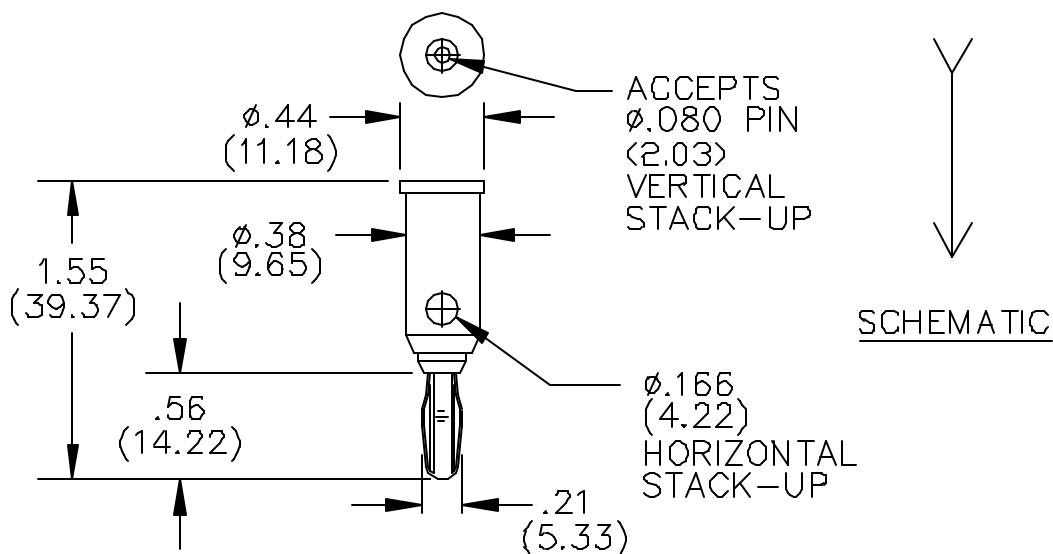
## Contact us

Tel: +86-755-8981 8866 Fax: +86-755-8427 6832

Email & Skype: info@chipsmall.com Web: www.chipsmall.com

Address: A1208, Overseas Decoration Building, #122 Zhenhua RD., Futian, Shenzhen, China





## FEATURES:

- Permits pin tip cords to be used with equipment having banana jacks.

## MATERIALS:

Upper Conn.: Pin Jack

Material: Spring – Beryllium Copper per QQ-C-533, Berylco 25, Cond. H.T.

Finish: Gold plated per MIL-G-45204, Type II, Class 00 over electroless nickel per MIL-C-26074, 200/300 microinches

Insulation: ABS molded to pin jack and banana plug body.

Marking: “1809” “POMONA ELECTRONICS CALIF.”

Lower Conn.: Standard Banana Plug

Material: Spring – Beryllium Copper per QQ-C-533, Berylco 25, Cond. HT.

Plug Body – Brass per QQ-B-626,

Alloy 360, ½ Hard

Finish: Nickel plated per QQ-N-290, Class 2, 200/300 micro-inches.

## RATINGS:

Operating Voltage: 2500 WVDC

Operating Temperature: +50°C. (+122°F.) Max.

Current: 5 Amperes

## ORDERING INFORMATION: Model 1809-\*

\*= Color, -0 Black, -2 Red

Ordering Example: 1809-2 Adapter Color is Red

Other colors available on special request.

All dimensions are in inches. Tolerances (except noted): .xx = ±.02" (.51 mm), .xxx = ± .005" (.127 mm).

All specifications are to the latest revisions. Specifications are subject to change without notice.

Registered trademarks are the property of their respective companies. Made in USA