



Chipsmall Limited consists of a professional team with an average of over 10 year of expertise in the distribution of electronic components. Based in Hongkong, we have already established firm and mutual-benefit business relationships with customers from,Europe,America and south Asia,supplying obsolete and hard-to-find components to meet their specific needs.

With the principle of "Quality Parts,Customers Priority,Honest Operation,and Considerate Service",our business mainly focus on the distribution of electronic components. Line cards we deal with include Microchip,ALPS,ROHM,Xilinx,Pulse,ON,Everlight and Freescale. Main products comprise IC,Modules,Potentiometer,IC Socket,Relay,Connector.Our parts cover such applications as commercial,industrial, and automotives areas.

We are looking forward to setting up business relationship with you and hope to provide you with the best service and solution. Let us make a better world for our industry!



Contact us

Tel: +86-755-8981 8866 Fax: +86-755-8427 6832

Email & Skype: info@chipsmall.com Web: www.chipsmall.com

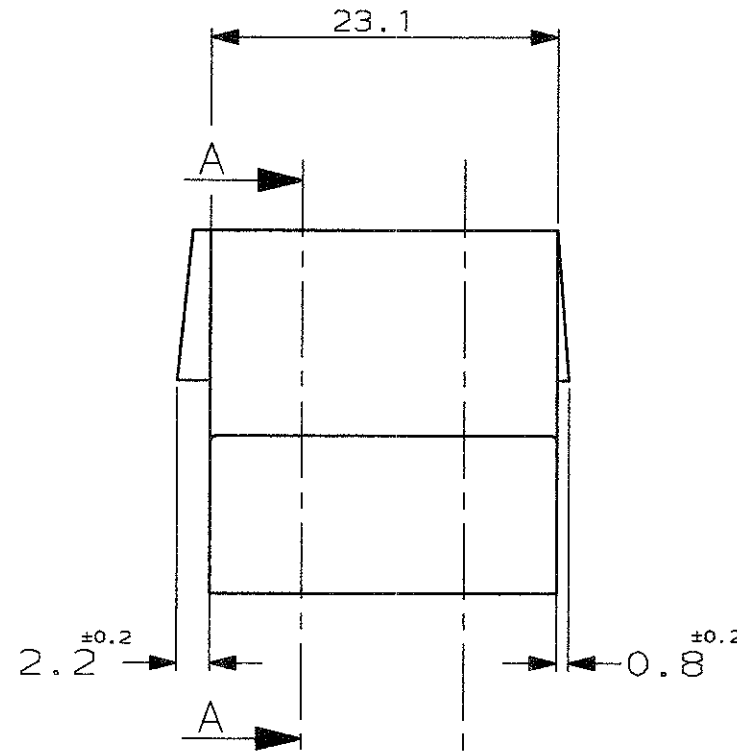
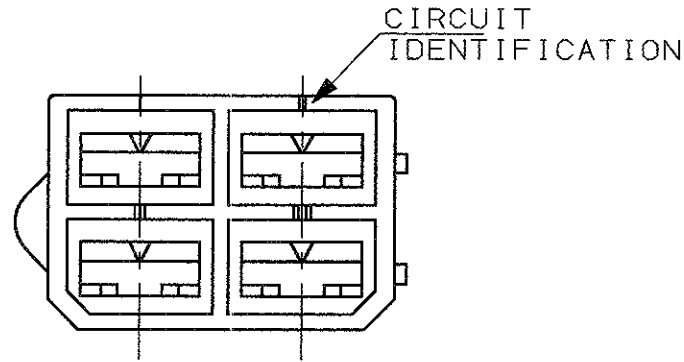
Address: A1208, Overseas Decoration Building, #122 Zhenhua RD., Futian, Shenzhen, China



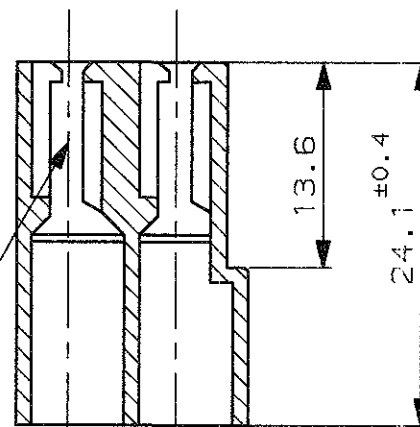
SCALA NON IMPEGNATIVA
(DO NOT SCALE)
DIMENSIONI IN mm
(DIMENSIONS IN mm)

METRIC

PROIEZIONE EUROPEA
(EUROPEAN PROJECTION)

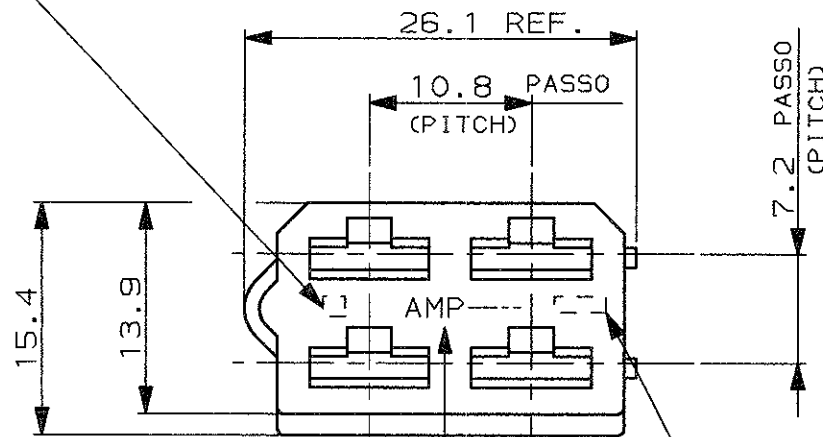


SEZIONE A-A
(SECTION A-A)



TIPICA CAVITA' PER TERMINALE AMP FASTIN-FASTON SR. 6.35mm.
(TYPICAL CAVITY FOR AMP FASTIN-FASTON .250 SR.)

NUMERO DI IMPRONTA STAMPO, FACOLTATIVO
(MOULD CAVITY IDENTIFICATION NO., OPTIONAL)



MARCHIO DI FABBRICA
(AMP TRADE MARK)

CODICE AMP, FACOLTATIVO
(AMP PART NUMBER, OPTIONAL)

- 1 PRODOTTI SOLO PER AMP GIAPPONE.
(RESTRICTED FOR AMP JAPAN).
- 2 NON PRODOTTO DALL'AMP ITALIA.
(NOT PRODUCED BY AMP ITALY).
- 3 OBSOLETE PARTS: OBSOLETE CIS STREAMLINING
PER D.RENAUD/D.SINISI

OBSOLETE	1	NEUTRO (CLEAR)	PA 6.6 (PA 6.6 UNFILLED)	9-180900-0
	2	NERO (BLACK)	PA 6.6 UL 94 V-0 (PA 6.6 F.R. 94 V-0)	5-180900-0
	2	NERO (BLACK)	PA 6.6 (PA 6.6 UNFILLED)	4-180900-0
	2	NERO (BLACK)	PA 6.6 (PA 6.6 UNFILLED)	3-180900-0
OBSOLETE	2	ROSSO (RED)	PP	2-180900-0
	2	NEUTRO (CLEAR)	ABS	1-180900-0
	3	GRIGIO (GRAY)		180900-7
OBSOLETE		NERO (BLACK)		180900-5
	2	VERDE (GREEN)	PA 6.6 (PA 6.6 UNFILLED)	180900-2
		ROSSO (RED)		180900-1
		NEUTRO (CLEAR)		180900-0
	NOTE (NOTES)	COLORE (COLOUR)	MATERIALE (MATERIAL)	NUMERO (PART NUMBER)

CUSTOMER DWG. FOR REFERENCE ONLY
DISEGNO PER CLIENTE SOLO PER RIFERIMENTO

THIS DRAWING IS UNPUBLISHED. RELEASE FOR PUBLICATION 19

TOLLERANZE; SE NON DIVERSAMENTE SPECIFICATO
(TOLERANCES, UNLESS OTHERWISE SPECIFIED)
±0.3

ANGOLI (ANGLES) ± 2°

DIS. A. MORETTI (DR.) 1 FEB '80

DESCRIZIONE (DESCRIPTION) 4 WAY FASTIN-FASTON RECEPTACLE HOUSING .250 Sr.

AZ4	REVISED PER ECO-11-005140	RK	01 APR 11	CONT. R. ROGGERO (CHK) 4 FEB '80	LOC. I	SIZE A3	NUMERO (DWG NO) C-180900	REV. AZ4	FOGLIO (SHEET) 1 DI (OF) 1
REV. (REV. LTR.)	REVISIONI (REVISION RECORD)	DIS. (DR)	DATA (DATE)	APP. (APP.)					

DISTRIBUZIONE (PRINT DIST.)