



Chipsmall Limited consists of a professional team with an average of over 10 year of expertise in the distribution of electronic components. Based in Hongkong, we have already established firm and mutual-benefit business relationships with customers from,Europe,America and south Asia,supplying obsolete and hard-to-find components to meet their specific needs.

With the principle of “Quality Parts,Customers Priority,Honest Operation,and Considerate Service”,our business mainly focus on the distribution of electronic components. Line cards we deal with include Microchip,ALPS,ROHM,Xilinx,Pulse,ON,Everlight and Freescale. Main products comprise IC,Modules,Potentiometer,IC Socket,Relay,Connector.Our parts cover such applications as commercial,industrial, and automotives areas.

We are looking forward to setting up business relationship with you and hope to provide you with the best service and solution. Let us make a better world for our industry!



Contact us

Tel: +86-755-8981 8866 Fax: +86-755-8427 6832

Email & Skype: info@chipsmall.com Web: www.chipsmall.com

Address: A1208, Overseas Decoration Building, #122 Zhenhua RD., Futian, Shenzhen, China

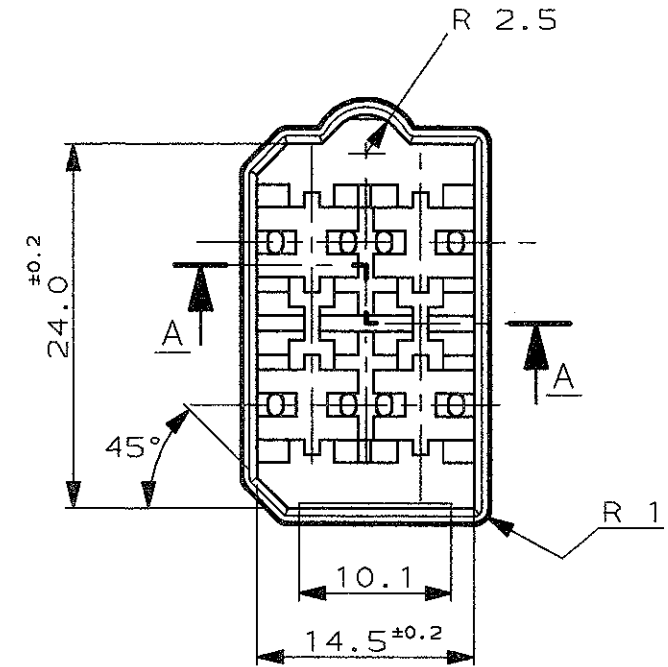
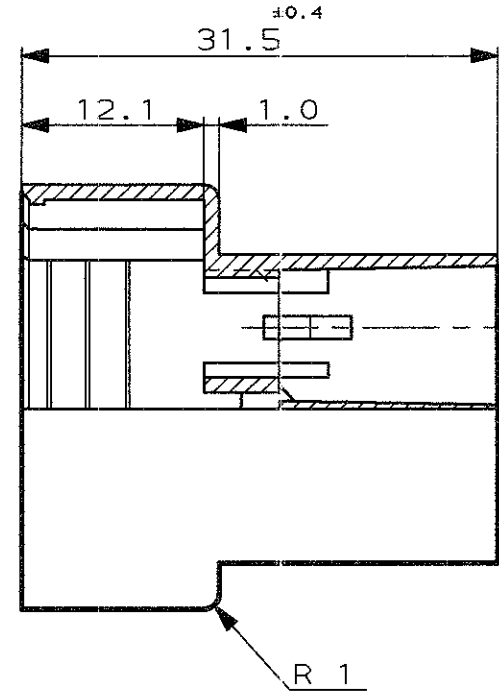
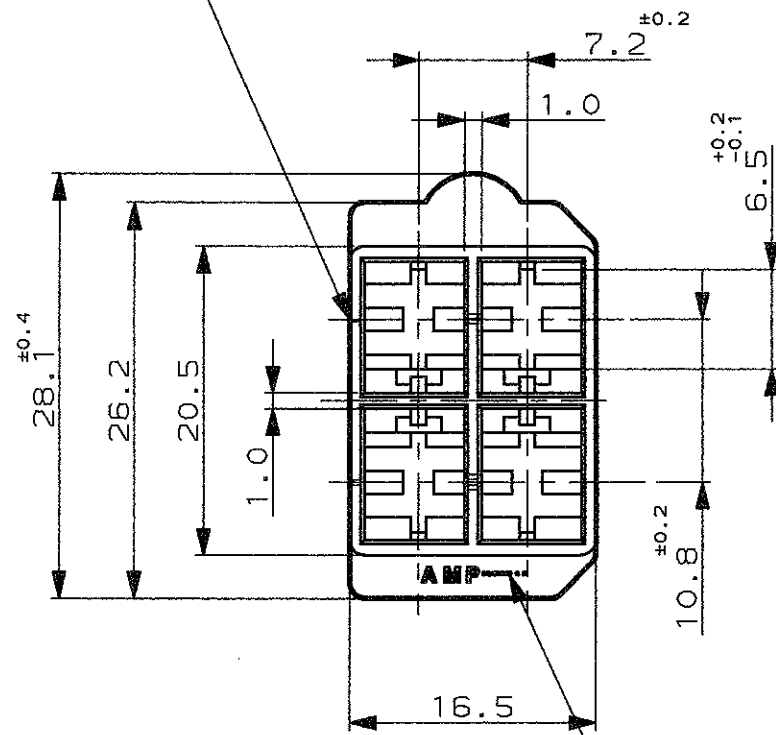


SCALA NON IMPEGNATIVA
(DO NOT SCALE)
DIMENSIONI IN
(DIMENSIONS IN) mm

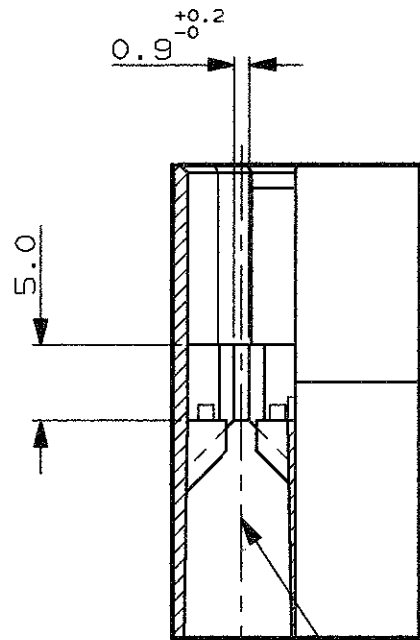
METRIC

PROIEZIONE EUROPEA
(EUROPEAN PROJECTION)

IDENTIFICAZIONE N. DI VIA
(CIRCUIT IDENTIFICATION No.)



SEZIONE A-A
(SECTION A-A)



MARCHIO DI FABBRICA
(AMP TRADE MARK)

- 1) NON PRODOTTO DALL' TE ITALIA
(NON MANUFACTURED BY TE ITALY)
- 2) PRODOTTO SOLO PER TE GIAPPONE
(RESTRICTED FOR TE JAPAN)
- 3) SPECIFICA DI PRODOTTO : 108-20020
(PRODUCT SPEC.: 108-20020)
- 4) SPECIFICA DI APPLICAZIONE PER RIF. : 114-2025
(APPLICATION SPEC. AS REF : 114-2025)
- 5) OBSOLETE PARTS: OBSOLETE CIS STREAMLINING PER D.RENAUD/D.SINISI

TIPICA CAVITA' PER TERMINALE AMP
FASTIN-FASTON .250"sr. (ES: P/N 1-280081-2)
(TYPICAL CAVITY FOR AMP TERMINAL
FASTIN-FASTON .250"sr, e.g. P/N 1-280081-2)

| NOTE (NOTES) | COLORE (COLOUR) | MATERIALE (MATERIAL) | NUMERO (PART NUMBER) |
|---------------|-----------------|----------------------|-------------------------------------|
| 5 OBSOLETE | 2 | BIANCO (WHITE) | PA 6.6 (PA 6.6 UNFILLED) |
| | 1 | NATURALE (CLEAR) | PA 6.6 (PA 6.6 UNFILLED) |
| | 1 | NERO (BLACK) | PA 6.6 (PA 6.6 UNFILLED) |
| 5 OBSOLETE | 1 | NERO (BLACK) | PA 6.6 (PA 6.6 UNFILLED FLAME RET.) |
| | 1 | NERO (BLACK) | ABS |
| 5 OBSOLETE | 1 | ARANCIONE (ORANGE) | PA 6.6 (PA 6.6 UNFILLED) |
| | 1 | NERO (BLACK) | PA 6.6 (PA 6.6 UNFILLED) |
| 5 OBSOLETE | 1 | GIALLO (YELLOW) | PA 6.6 (PA 6.6 UNFILLED) |
| | 1 | BLU (BLUE) | PA 6.6 (PA 6.6 UNFILLED) |
| 5 OBSOLETE | 1 | ROSSO (RED) | PA 6.6 (PA 6.6 UNFILLED) |
| | 1 | NATURALE (CLEAR) | PA 6.6 (PA 6.6 UNFILLED) |
| | | | 180901-0 |

CUSTOMER DWG. FOR REFERENCE ONLY DISEGNO PER CLIENTE SOLO PER RIFERIMENTO

THIS DRAWING IS UNPUBLISHED RELEASE FOR PUBLICATION 19

© COPYRIGHT 19 BY TE INCORPORATED, HARRISBURG, PA. ALL INTERNATIONAL RIGHT RESERVED. TE PRODUCTS MAY BE COVERED BY U.S. AND FOREIGN PATENT AND/OR PATENT PENDING

TOLLERANZE: SE NON DIVERSAMENTE SPECIFICATO
(TOLERANCES, UNLESS OTHERWISE SPECIFIED)

DIAM. ISOLANTE (INS. DIA. RANGE) RANGO FILO (WIRE RANGE) SCALA (SCALE)

± 0.3 - 2:1

ANGOLI (ANGLES) ± 2°

TE TE Connectivity

| | | | | | | | |
|------|--------------------------------------|----------|-------------|-------------|------------|---------------------------|--------------------|
| AW5 | ECR-10-022530 | KK | 11FEB11 | DIS. (DR.) | 15MAY01 | DESCRIZIONE (DESCRIPTION) | BLOCCHETTO A 4 VIE |
| AW4 | REV PER ECO-10-000445 | KK | JAN10 | CONT. (CHK) | - | FASTIN-ON TAB SERIE .250" | |
| AW3 | REDRAWN W/O CHANGES PER ET00-0129-01 | | 28-5 2001 | LOC. (APP.) | 15MAY01 | LOC. SIZE | I A3 |
| REV. | REVISIONI (REVISION RECORD) | BTS (DR) | DATA (DATE) | APP. (APP.) | C. TARTARI | NUMERO (CNG NO) | C-180901 |
| | | | | REV. | AW5 | FOGLIO (SHEET) | 1 OF 1 |

DISTRIBUZIONE (PRINT DIST.)