



Chipsmall Limited consists of a professional team with an average of over 10 year of expertise in the distribution of electronic components. Based in Hongkong, we have already established firm and mutual-benefit business relationships with customers from,Europe,America and south Asia,supplying obsolete and hard-to-find components to meet their specific needs.

With the principle of "Quality Parts,Customers Priority,Honest Operation,and Considerate Service",our business mainly focus on the distribution of electronic components. Line cards we deal with include Microchip,ALPS,ROHM,Xilinx,Pulse,ON,Everlight and Freescale. Main products comprise IC,Modules,Potentiometer,IC Socket,Relay,Connector.Our parts cover such applications as commercial,industrial, and automotives areas.

We are looking forward to setting up business relationship with you and hope to provide you with the best service and solution. Let us make a better world for our industry!



## Contact us

Tel: +86-755-8981 8866 Fax: +86-755-8427 6832

Email & Skype: info@chipsmall.com Web: www.chipsmall.com

Address: A1208, Overseas Decoration Building, #122 Zhenhua RD., Futian, Shenzhen, China



THIS DRAWING IS UNPUBLISHED.  
 QUESTO DISEGNO NON DEVE ESSERE DIVULGATO O RIPRODOTTO

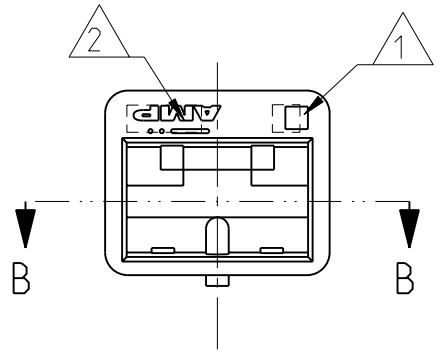
RELEASED FOR PUBLICATION  
 E' CONSENTITA LA DIVULGAZIONE

2009

ALL RIGHTS RESERVED.  
 TUTTI I DIRITTI SONO RISERVATI

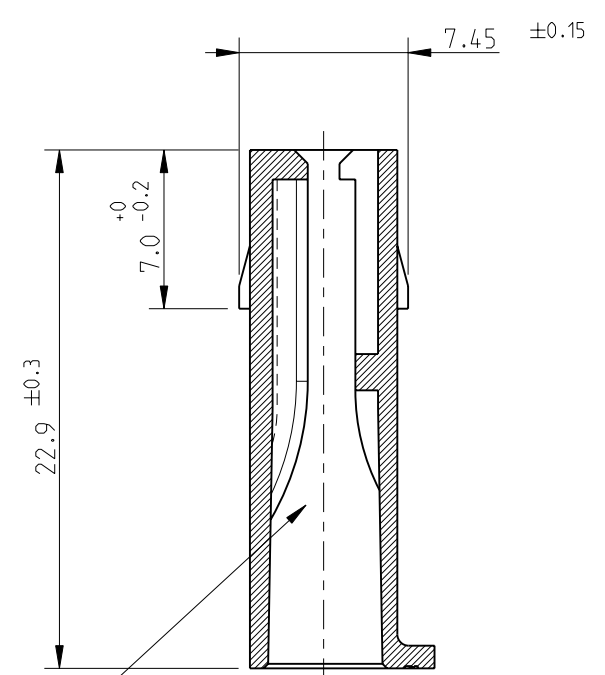
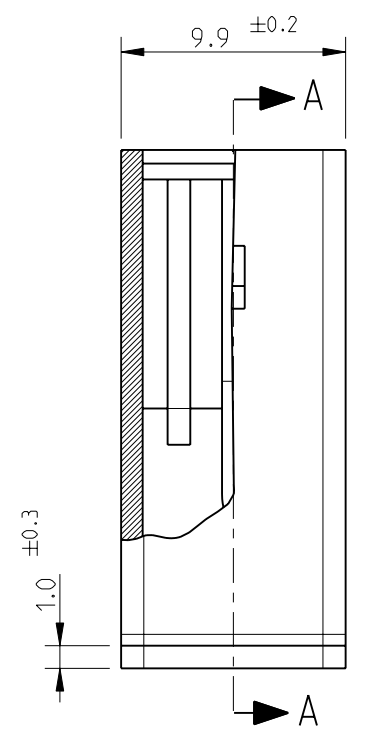
© COPYRIGHT 2009

LOC	DIST	REVISIONS					
		P	LTR	DESCRIPTION	DATE	DWN	APVD
1	-		AB2	ADDED P/N, ET00-0211-04	19/10/04	H.Y.	G.T.
			AB3	REVISED PER ECO-09-026346	26NOV09	KK	AEG
			AB4	ECR-10-022530	05FEB11	KK	HMR

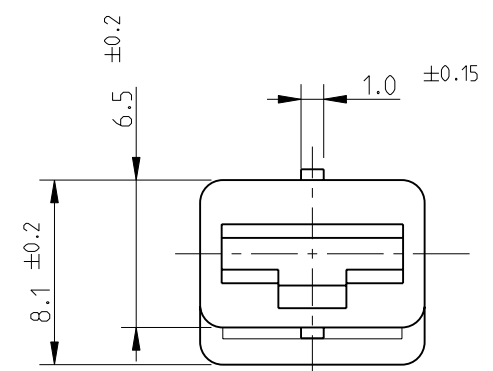


SEZ. PARZIALE B-B  
 PARTIAL SECT. B-B

SEZ. A-A  
 SECT. A-A



TIPICA CAVITA' PER TERMINALE AMP  
 FASTIN-FASTON SR.6.35mm.  
 (TYPICAL CAVITY FOR AMP  
 FASTIN-FASTON .250 SR.)



- 1 NUMERO DI IMPRONTA STAMPO  
(MOULD CAVITY IDENTIFICATION NO.)
- 2 MARCHIO DI FABBRICA AMP  
(AMP TRADE MARK)
- 3 VERSIONE IN ACCORDO ALLA IEC 60695-2-11, IEC 60335-1 (GLOW WIRE)  
(VERSION ACCORDING TO IEC 60695-2-11, IEC 60335-1, GLOW WIRE)
- 4 OBSOLETE PARTS: OBSOLETE CIS STREAMLINING PER D.RENAUD/D.SINISI

NOTE	COLORE (COLOUR)	MATERIALE (MATERIAL)	NUMERO (PART NUMBER)
	3 NATURALE (NATURAL)	PA6 UNFILLED	1-180905-0
4 OBSOLETE	ARANCIO (ORANGE)	PA 6.6 (PA 6.6 UNFILLED)	<del>180905-9</del>
	VIOLETTO (VIOLET)		<del>180905-8</del>
OBSOLETE	GRIGIO (GRAY)		180905-7
	MARRONE (BROWN)		180905-6
	NERO (BLACK)		<del>180905-5</del>
	BLU (BLUE)		180905-3
	VERDE (GREEN)		180905-2
	ROSSO (RED)		180905-1
	NATURALE (NATURAL)		180905-0

THIS DRAWING IS A CONTROLLED DOCUMENT.

DWN F.BORIN 22JUN98  
 CHK C.TARTARI 22JUN98  
 APVD -  
 PRODUCT SPEC 108-20020  
 APPLICATION SPEC -  
 WEIGHT -

**STE** TE Connectivity

NAME FASTIN-FASTON™ CONNECTOR .250 SRS. FEMALE HOUSING, 1 POS.

SIZE A3 CAGE CODE 00779 DRAWING NO. C-180905 RESTRICTED TO -

MATERIAL SEE TABLE FINISH -

CUSTOMER DRAWING DISEGNO PER CLIENTE SOLO PER RIFERIMENTO SCALE 3:1 SHEET 1 OF 1 REX AB4