



Chipsmall Limited consists of a professional team with an average of over 10 year of expertise in the distribution of electronic components. Based in Hongkong, we have already established firm and mutual-benefit business relationships with customers from,Europe,America and south Asia,supplying obsolete and hard-to-find components to meet their specific needs.

With the principle of “Quality Parts,Customers Priority,Honest Operation,and Considerate Service”,our business mainly focus on the distribution of electronic components. Line cards we deal with include Microchip,ALPS,ROHM,Xilinx,Pulse,ON,Everlight and Freescale. Main products comprise IC,Modules,Potentiometer,IC Socket,Relay,Connector.Our parts cover such applications as commercial,industrial, and automotives areas.

We are looking forward to setting up business relationship with you and hope to provide you with the best service and solution. Let us make a better world for our industry!



Contact us

Tel: +86-755-8981 8866 Fax: +86-755-8427 6832

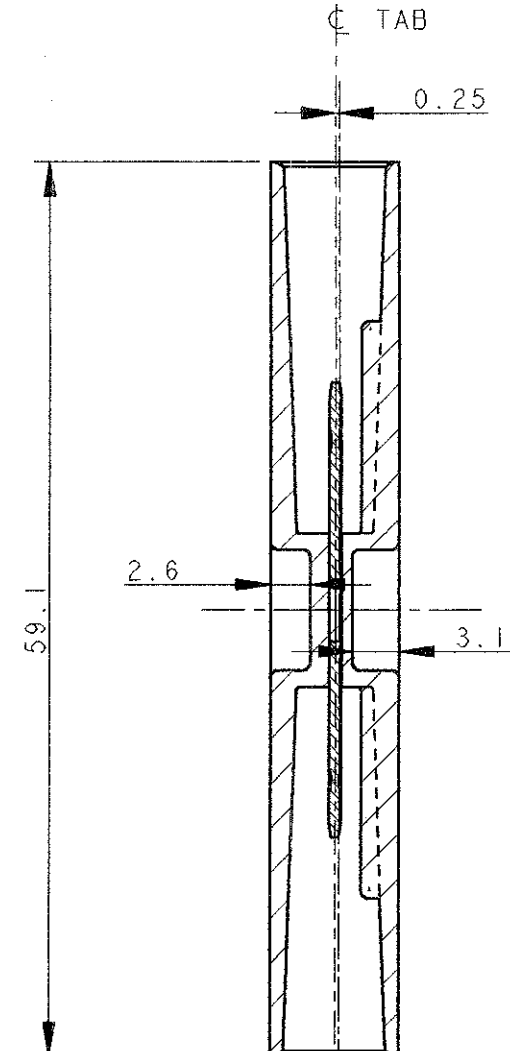
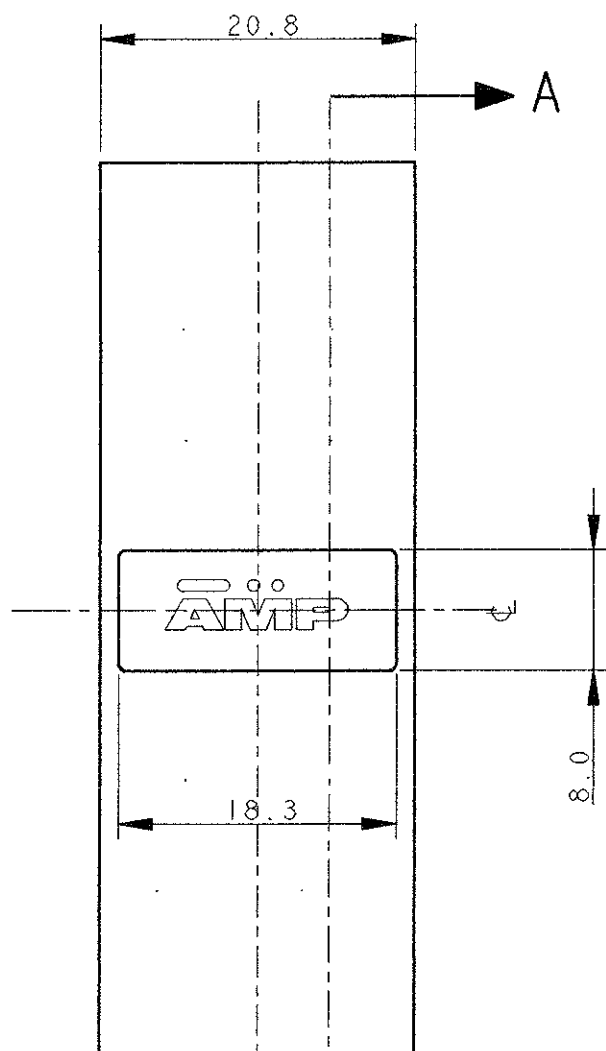
Email & Skype: info@chipsmall.com Web: www.chipsmall.com

Address: A1208, Overseas Decoration Building, #122 Zhenhua RD., Futian, Shenzhen, China

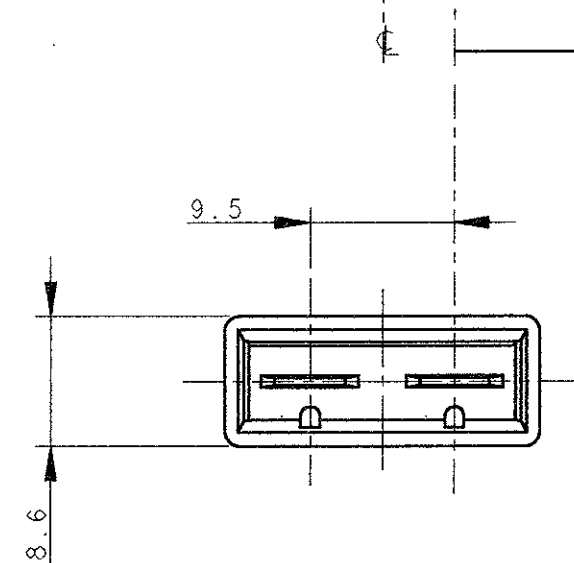


LOC	DIST
1	-

REVISIONS				
P	LTR	DESCRIPTION	DATE	APVD
S1		REVISED PER EC ET00-0172-99	17MAY99	ST
S2		REVISED PER ECO-09-026346	26NOV09	KK AEG



SECTION A - A



- 1 "GLOW WIRE" TEST ACCORDING TO IEC 695-2-1
- 2 OBSOLETE PARTS: OBSOLETE CIS STREAMLINING PER D.RENAUD/D.SINISI

2 OBSOLETE	NEUTRO (CLEAR)	PA 6.6 NATURALE	180909-2 1	DI
	NEUTRO (CLEAR)	(PA 6.6 UNFILLED)	180909-0	DI
	COLORE (COLOUR)	MATERIALE (MATERIAL)	NUMERO DISEGNO AMP (AMP PART NUMBER)	REV.

<small>THIS DRAWING IS A CONTROLLED DOCUMENT FOR AMP INCORPORATED. IT IS SUBJECT TO CHANGE AND THE CONTROLLING ENGINEERING ORGANIZATION SHOULD BE CONTACTED FOR THE LATEST REVISION.</small>		DWN R. FABRIS 12MAY99	AMP Italia S.p.A. C.so F.lli Cervi 15 Collegno (TO)
DIMENSIONS: mm 		CHK C. TARTARI	
TOLERANCES UNLESS OTHERWISE SPECIFIED: 0 PLC ±- 1 PLC ±0.4 2 PLC ±- 3 PLC ±- 4 PLC ±- ANGLES ±1° 0'		APVD	NAME FASTON CONNECTOR, .250" SR DOUBLE CIGARETTE
MATERIAL VED. TABELLA (SEE TABLE)		PRODUCT SPEC	SIZE A3
FINISH		APPLICATION SPEC	CAGE CODE 00779
CUSTOMER DRAWING		WEIGHT	DRAWING NO C-180909
		SCALE 2:1	SHEET 1 OF 1 REV S2