



Chipsmall Limited consists of a professional team with an average of over 10 year of expertise in the distribution of electronic components. Based in Hongkong, we have already established firm and mutual-benefit business relationships with customers from,Europe,America and south Asia,supplying obsolete and hard-to-find components to meet their specific needs.

With the principle of “Quality Parts,Customers Priority,Honest Operation,and Considerate Service”,our business mainly focus on the distribution of electronic components. Line cards we deal with include Microchip,ALPS,ROHM,Xilinx,Pulse,ON,Everlight and Freescale. Main products comprise IC,Modules,Potentiometer,IC Socket,Relay,Connector.Our parts cover such applications as commercial,industrial, and automotives areas.

We are looking forward to setting up business relationship with you and hope to provide you with the best service and solution. Let us make a better world for our industry!



Contact us

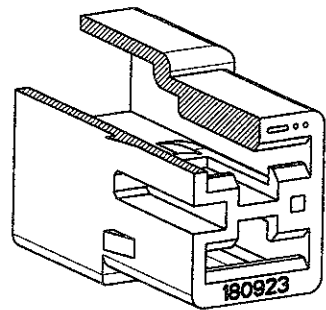
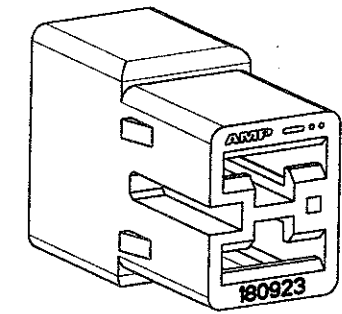
Tel: +86-755-8981 8866 Fax: +86-755-8427 6832

Email & Skype: info@chipsmall.com Web: www.chipsmall.com

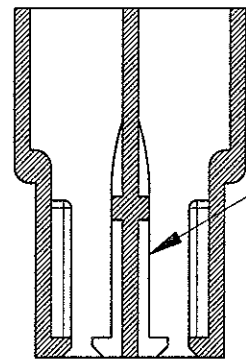
Address: A1208, Overseas Decoration Building, #122 Zhenhua RD., Futian, Shenzhen, China



P	LTR	DESCRIPTION	DATE	DWN	APVD
		AG4 REVISED PER ECO-11-005140	01APR11	RK	HMR



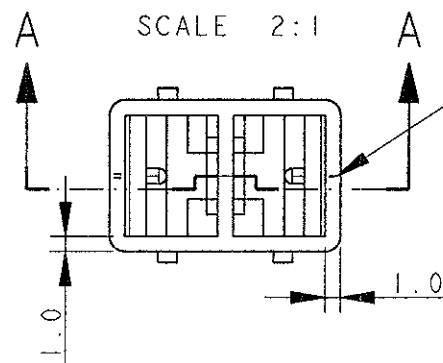
SECTION A-A



TIPICA CAVITA' PER TERMINALE TE AMP
FASTIN-FASTON SR. 6.35 mm
(TYPICAL CAVITY FOR TE AMP
FASTIN-FASTON .250" SR.)

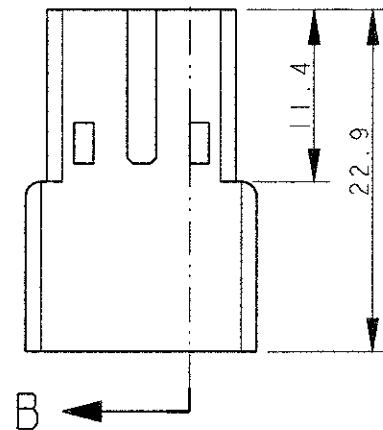
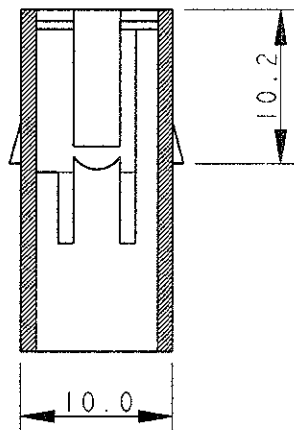
- 1 RISERVATO PER TE AMP GERMANY (RESTRICTED FOR TE AMP GERMANY)
- 2 RISERVATO PER TE AMP DE FRANCE (RESTRICTED FOR TE AMP DE FRANCE)
- 3 FOR FOREIGN PRODUCTION ONLY
- 4 NON DISPONIBILE DA TE AMP ITALIA (NO MORRE AVAILABLE FROM TE AMP ITALIA)
- 5 OBSOLETE PARTS: OBSOLETE CIS STREAMLINING PER D.RENAUD/D.SINISI

SCALE 2:1



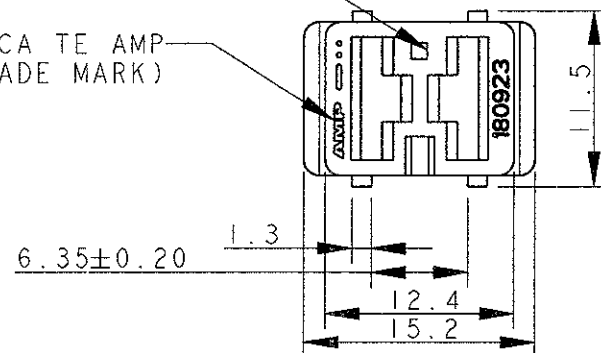
CIRCUIT IDENTIFICATION

SECTION B-B



NUMERO DI IMPRONTA STAMPO
(MOULD CAVITY IDENTIFICATION NO.)

MARCHIO DI FABBRICA TE AMP
(TE AMP TRADE MARK)



5	OBSOLETE	3	4	COLORE (COLOUR)	MATERIALE (MATERIAL)	NUMERO (P/N)	REV	
				NATURALE (NATURAL)	PA 6.6 (PA 6.6 UNFILLED)	9-180923-0	AG	
				NATURALE (NATURAL)	PA 6.6 UL 94 V-0 (PA 6.6 UNFILLED UL 94 V-0)	4-180923-0	AG	
				NATURALE (NATURAL)	PA 6.6 (PA 6.6 UNFILLED)	3-180923-0	AG	
				NATURALE (NATURAL)	ZYTEL E103 HSLC	2-180923-0	AG	
				ARANCIO (ORANGE)	PA 6.6 (PA 6.6 UNFILLED)	0-180923-9	AG	
				VIOLETTO (VIOLET)		0-180923-8	AG	
				NERO (BLACK)		0-180923-5	AG	
				GIALLO (YELLOW)		0-180923-4	AG	
				BLU (BLUE)		0-180923-3	AG	
				VERDE (GREEN)		0-180923-2	AG	
				ROSSO (RED)		0-180923-1	AG	
				NATURALE (NATURAL)		0-180923-0	AG	
				NOTE				

DIMENSIONS: mm 		TOLERANCES UNLESS OTHERWISE SPECIFIED: 0 PLC ± 1 PLC ±0.3 2 PLC ± 3 PLC ± 4 PLC ± ANGLES ±2° FINISH		DWN H. YAALI 31 JUL 2002 CHK C. TARTARI APVD PRODUCT SPEC 108-20020 APPLICATION SPEC		TE Connectivity	
MATERIAL SEE TABLE		WEIGHT 1.5 g		NAME FASTIN-FASTON™ Connector, .250" srs. RECEPTACLE HOUSING 2 POSITIONS		RESTRICTED TO	
CUSTOMER DRAWING		SCALE 2:1		SIZE A3 CAGE CODE 00779 DRAWING NO. C-180923		SHEET 1 OF 1 REV AG4	