



Chipsmall Limited consists of a professional team with an average of over 10 year of expertise in the distribution of electronic components. Based in Hongkong, we have already established firm and mutual-benefit business relationships with customers from,Europe,America and south Asia,supplying obsolete and hard-to-find components to meet their specific needs.

With the principle of “Quality Parts,Customers Priority,Honest Operation,and Considerate Service”,our business mainly focus on the distribution of electronic components. Line cards we deal with include Microchip,ALPS,ROHM,Xilinx,Pulse,ON,Everlight and Freescale. Main products comprise IC,Modules,Potentiometer,IC Socket,Relay,Connector.Our parts cover such applications as commercial,industrial, and automotives areas.

We are looking forward to setting up business relationship with you and hope to provide you with the best service and solution. Let us make a better world for our industry!



Contact us

Tel: +86-755-8981 8866 Fax: +86-755-8427 6832

Email & Skype: info@chipsmall.com Web: www.chipsmall.com

Address: A1208, Overseas Decoration Building, #122 Zhenhua RD., Futian, Shenzhen, China

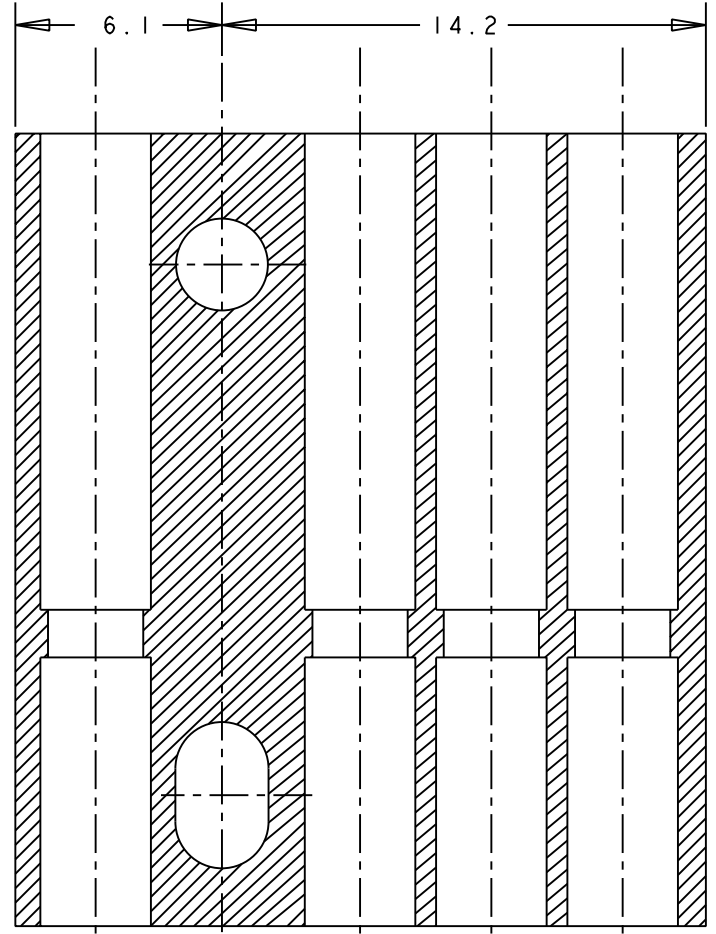


THIS DRAWING IS UNPUBLISHED. RELEASED FOR PUBLICATION

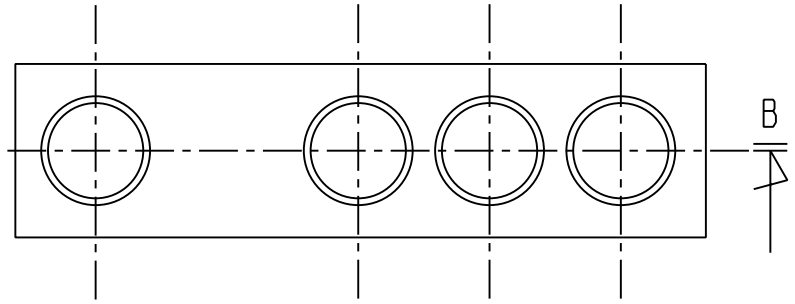
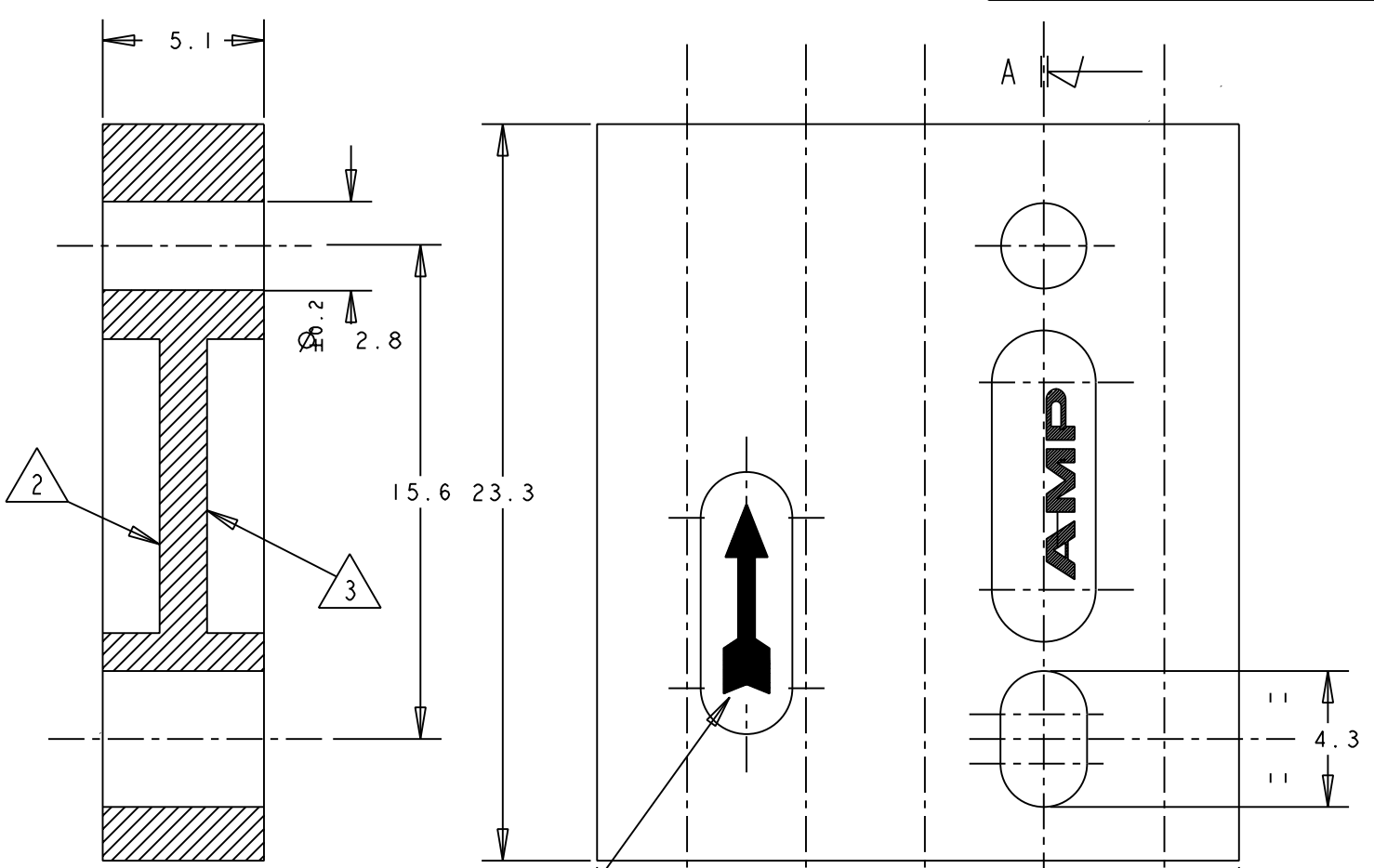
© COPYRIGHT ALL RIGHTS RESERVED.

LOC	DIST	REVISIONS		
P	LTR	DESCRIPTION	DATE	APVD

SECT. B-B



SECT A-A



REV.	REVISIONI (REVISION RECORD)	DIS. DATA (DR)	DATE (DATE)
01	ECR-10-022530	KK	14 JUN 11
0	REDRAWN WITHOUT CHANGE	C.C.	2008
H	ADDED DASH 2	C.C.	19-10-1993
G	REV. PER ECN 1270	R.C.	DEC. '72
F	REV. PER ECN 1033	R.R.	DEC. '70
E	CHANGED YELLOW & BLACK MATERIAL	R.R.	JAN. '66
D	WAS 1A-5-5006	C.C.	SEP. '65
C	ADDED PART NUMB.	R.P.	SEP. '65
B	CHANGED COLOR AND MATERIAL CODE	R.R.	SEP. '65
A	REVISED-REDRAWN	R.P.	FEB. '65

NOTES:

- 1 AN HALOWED ARROW MOULDED ON SHOWED LOCATION, INDICATES CONTACT INSERTION DIRECTION DURING CUSTOMER ASSEMBLY OPERATION
- 2 MANUF. CODE, CHARACTERS RAISED ON SHOWED LOCATION
- 3 PART NUMBER, CHARACTER RAISED ON SHOWED LOCATION
- 4 PRODUCT MANUFACTURED BY GERMANY
- 5 PRODUCTS MANUFACTURED BY TALY

OBSOLETE

FINITURA / COLORE	MATERIALE	NUMERO
4 BLACK	POLYC. 30% GLASS FILLED	180934-2
5 GREEN	POLYC. 20% GLASS FILLED	180934-1
BLACK	POLYCARBONATE NATURAL	180934-5

THIS DRAWING IS A CONTROLLED DOCUMENT.

DWN 06-09-1993 C. CORDOLA
CHK 06-09-1993 C. MARTINS
APVD

PRODUCT SPEC
APPLICATION SPEC
WEIGHT

STE TE Connectivity

NAME
4 POS. MDM CONNECTOR FOR PIN CTC TYPE II & III+ SIZE I6-LONG.

SIZE A3 CAGE CODE C-180934 DRAWING NO RESTRICTED TO

CUSTOMER DRAWING SCALE NO SHEET 1 OF 1 REV 01