



Chipsmall Limited consists of a professional team with an average of over 10 year of expertise in the distribution of electronic components. Based in Hongkong, we have already established firm and mutual-benefit business relationships with customers from,Europe,America and south Asia,supplying obsolete and hard-to-find components to meet their specific needs.

With the principle of “Quality Parts,Customers Priority,Honest Operation,and Considerate Service”,our business mainly focus on the distribution of electronic components. Line cards we deal with include Microchip,ALPS,ROHM,Xilinx,Pulse,ON,Everlight and Freescale. Main products comprise IC,Modules,Potentiometer,IC Socket,Relay,Connector.Our parts cover such applications as commercial,industrial, and automotives areas.

We are looking forward to setting up business relationship with you and hope to provide you with the best service and solution. Let us make a better world for our industry!



Contact us

Tel: +86-755-8981 8866 Fax: +86-755-8427 6832

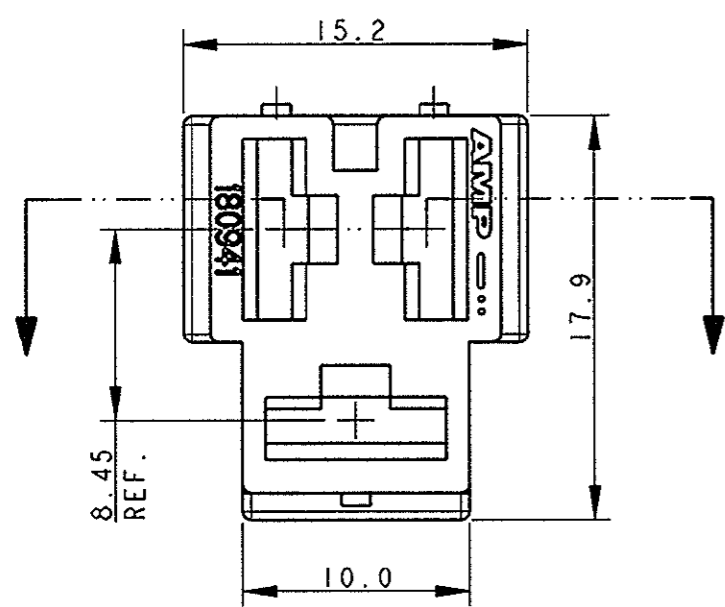
Email & Skype: info@chipsmall.com Web: www.chipsmall.com

Address: A1208, Overseas Decoration Building, #122 Zhenhua RD., Futian, Shenzhen, China

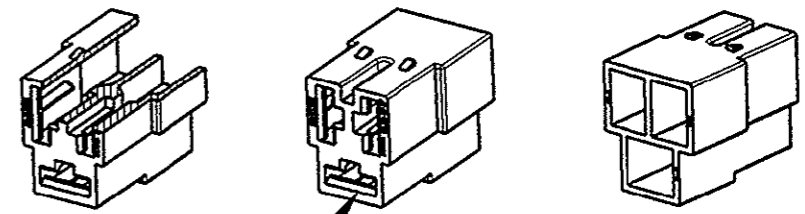
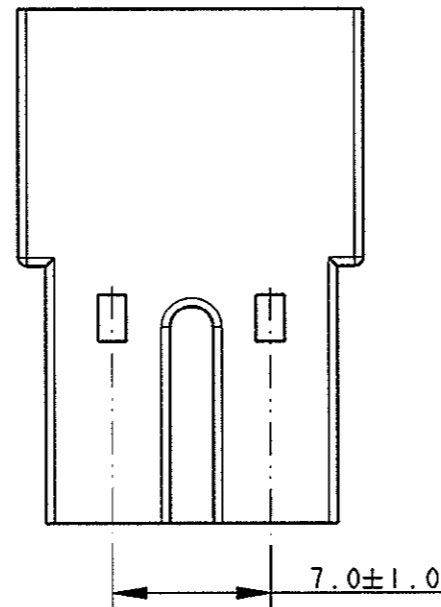
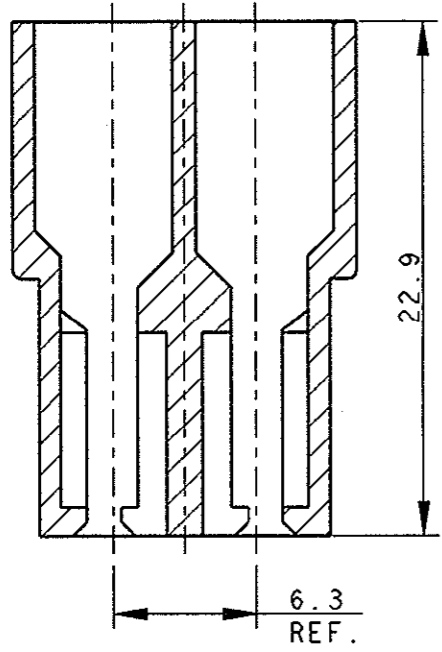


THIS DRAWING IS UNPUBLISHED. RELEASED FOR PUBLICATION
 © COPYRIGHT ALL RIGHTS RESERVED.

LOC	DIST	REVISIONS			
P	LTR	DESCRIPTION	DATE	DWN	APVD
1	-	P7	REVISED PER ECO-11-005140	30MAR11	RK HMR



SECTION A - A

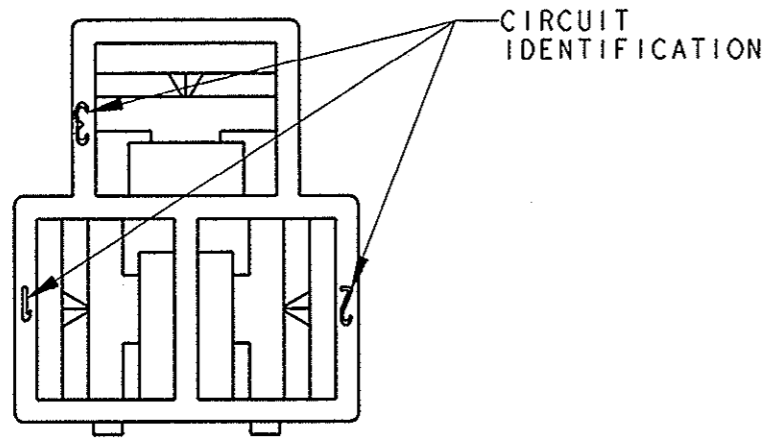


TIPICA CAVITA' PER TERMINALE TE AMP
 FASTIN-FASTON SR. 6.35 mm
 (TYPICAL CAVITY FOR TE AMP CONTACT
 FASTIN-FASTON .250" SRS.)

SCALE 1:1

- 1 PA 6.6 UNFILLED, UL 94-V2.
- 2 PA 6 UNFILLED, GLOW WIRE TEST AT 750°C
- 3 NON ANCORA RILASCIATO IN PRODUZIONE (NOT YET RELEASED FOR PRODUCTION)
- 4 OBSOLETE PARTS: OBSOLETE CIS STREAMLINING PER D.RENAUD/D.SINISI

4 OBSOLETE	NATURALE (NATURAL)	2	2-180941-0	P
	NATURALE (NATURAL)		1-180941-0	O
4 OBSOLETE	ARANCIONE (ORANGE)	1	0-180941-9	O
	VIOLA (VIOLET)		0-180941-8	O
	MARRONE (BROWN)		0-180941-6	P
	NERO (BLACK)		0-180941-5	P
4 OBSOLETE	GIALLO (YELLOW)	1	0-180941-4	O
	BLU (BLUE)		0-180941-3	O
	VERDE (GREEN)		0-180941-2	O
	ROSSO (RED)		0-180941-1	P
	NATURALE (NATURAL)		0-180941-0	P
NOTE	COLORE (COLOUR)	MATERIALE (MATERIAL)	PART NUMBER	REV



DWN H. YAALI 24JUL2002			
CHK C. TARTARI			
APVD -		NAME	
PRODUCT SPEC		FASTIN-FASTON* Connector,	
108-20020		.250" sr. REC HOUSING	
APPLICATION SPEC		3 WAY	
MATERIAL SEE TABLE		SIZE	RESTRICTED TO
FINISH -		A3	-
WEIGHT 2.3 g		CAGE CODE	00779
CUSTOMER DRAWING		DRAWING NO	C=180941
SCALE 3:1		SHEET	OF
REV P7			