



Chipsmall Limited consists of a professional team with an average of over 10 year of expertise in the distribution of electronic components. Based in Hongkong, we have already established firm and mutual-benefit business relationships with customers from,Europe,America and south Asia,supplying obsolete and hard-to-find components to meet their specific needs.

With the principle of “Quality Parts,Customers Priority,Honest Operation,and Considerate Service”,our business mainly focus on the distribution of electronic components. Line cards we deal with include Microchip,ALPS,ROHM,Xilinx,Pulse,ON,Everlight and Freescale. Main products comprise IC,Modules,Potentiometer,IC Socket,Relay,Connector.Our parts cover such applications as commercial,industrial, and automotives areas.

We are looking forward to setting up business relationship with you and hope to provide you with the best service and solution. Let us make a better world for our industry!



Contact us

Tel: +86-755-8981 8866 Fax: +86-755-8427 6832

Email & Skype: info@chipsmall.com Web: www.chipsmall.com

Address: A1208, Overseas Decoration Building, #122 Zhenhua RD., Futian, Shenzhen, China



4

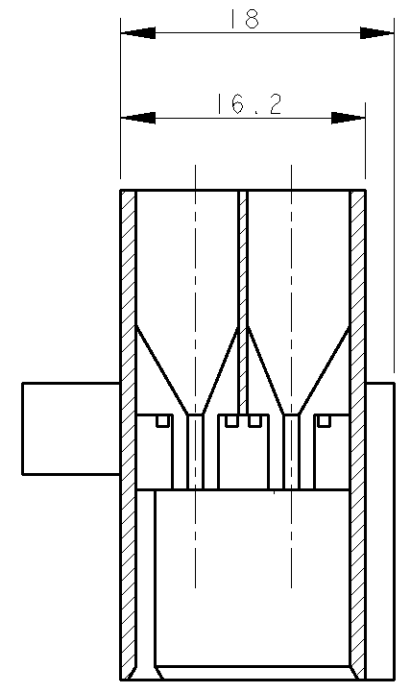
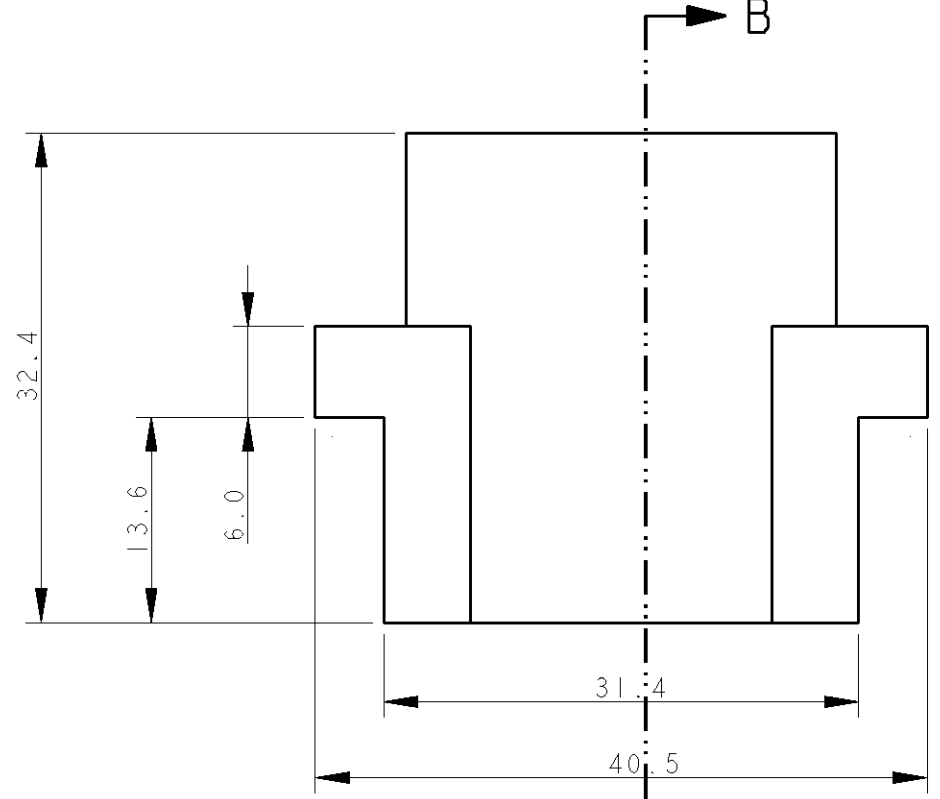
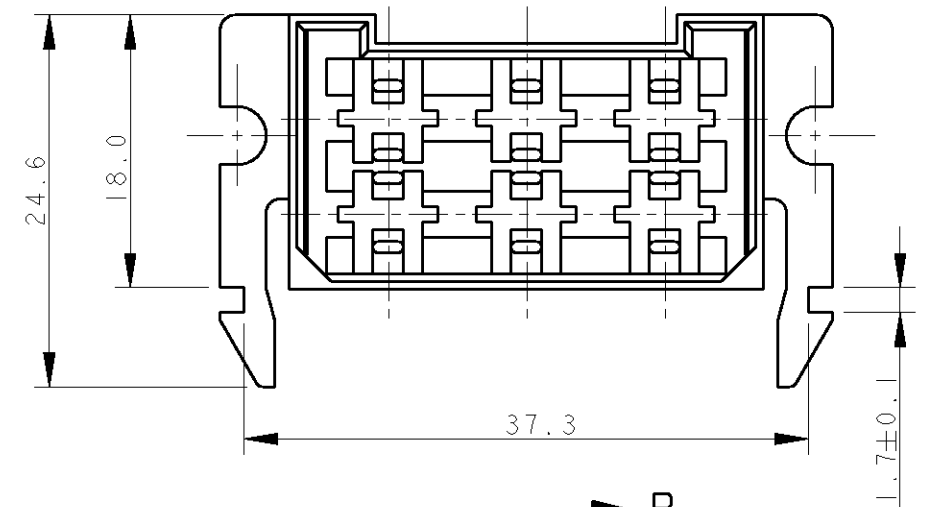
3

2

1

THIS DRAWING IS UNPUBLISHED. RELEASED FOR PUBLICATION .19
 © COPYRIGHT 19 BY AMP INCORPORATED. ALL RIGHTS RESERVED.

LOC	DIST	REVISIONS					
		P	LTR	DESCRIPTION	DATE	DWN	APVD
	-		AD3	CORRECTED NOTE 1	10OCT06	HY	GT
			AD4	REVISED PER - ECO-09-026346	26NOV09	KK	AEG



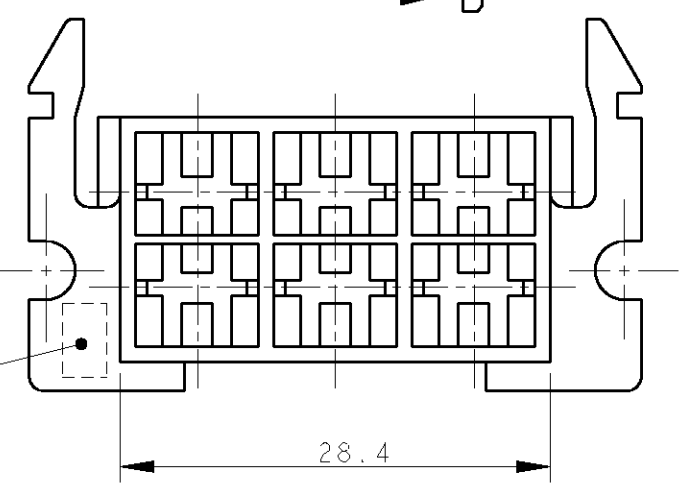
SECTION B - B

⚠ MATERIALE CON GWFI A 850°C
 "GWFI AT 850°C MATERIAL"
 ⚠ OBSOLETE PARTS: OBSOLETE CIS STREAMLINING
 PER D.RENAUD/D.SINISI

OBSOLETE
 ⚠ 2

NERO (BLACK)	⚠	180948-9	AD
NEUTRO (CLEAR)	⚠	180948-8	AD
GRIGIO (GRAY)	POLYAMIDE 6.6 (PA 6.6)	180948-7	AD
GIALLO (YELLOW)		180948-4	AD
ROSSO (RED)		180948-1	AD
NEUTRO (CLEAR)		180948-0	AD
COLORE (COLOUR)		MATERIALE (MATERIAL)	NUMERO DISEGNO AMP (AMP PART NUMBER)

AMP TRADEMARK,
 OPTIONAL POSITION



<small>THIS DRAWING IS A CONTROLLED DOCUMENT FOR AMP INCORPORATED. IT IS SUBJECT TO CHANGE AND THE CONTROLLING ENGINEERING ORGANIZATION SHOULD BE CONTACTED FOR THE LATEST REVISION.</small>		DWN R. FABRIS 16APR99 CHK C. TARTARI APVD - PRODUCT SPEC 108-20020 APPLICATION SPEC - WEIGHT -	AMP AMP Italia S.p.A. C.so F.lli Cervi 15 Collegno (TO)
DIMENSIONS: mm 	TOLERANCES UNLESS OTHERWISE SPECIFIED: 0 PLC ± 1 PLC ±0.4 2 PLC ± 3 PLC ± 4 PLC ± ANGLES ±0.2 MATERIAL SEE TABLE FINISH -	NAME FASTIN-FASTON, .250" Sr. CONNETTORE PORTA MASCHI A 6 VIE con lancette di aggancio (6 WAY FASTIN-FASTON TAB HOUSING WITH LOCKING EARS, .250" SR.)	SIZE A3 CAGE CODE 00779 DRAWING NO. C-180948 SCALE 2:1 SHEET 1 OF 2 REV AD4
		CUSTOMER DRAWING	

(*) TRADEMARK OF AMP INCORPORATED

THIS DRAWING IS UNPUBLISHED.

RELEASED FOR PUBLICATION .19

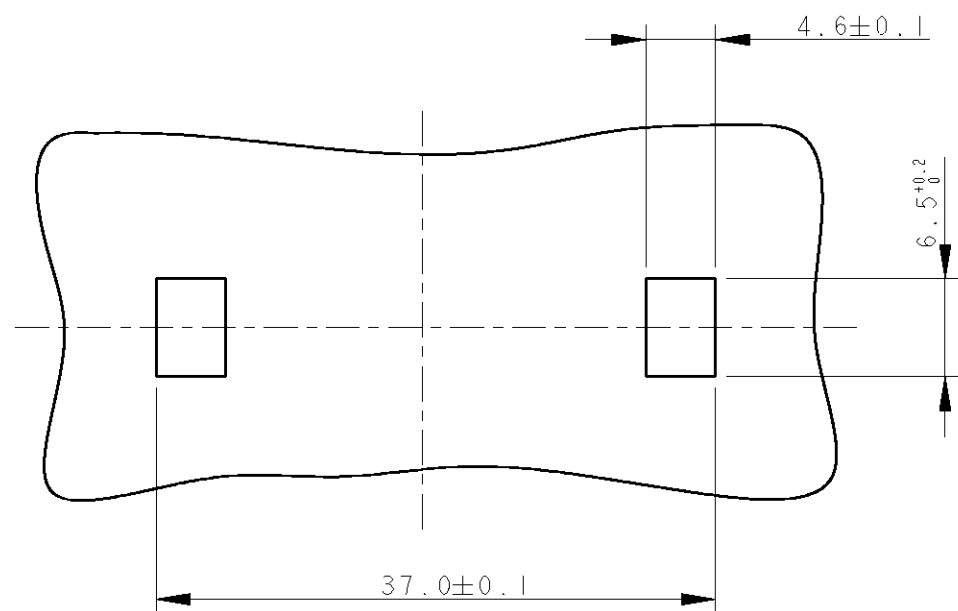
.19

© COPYRIGHT 19

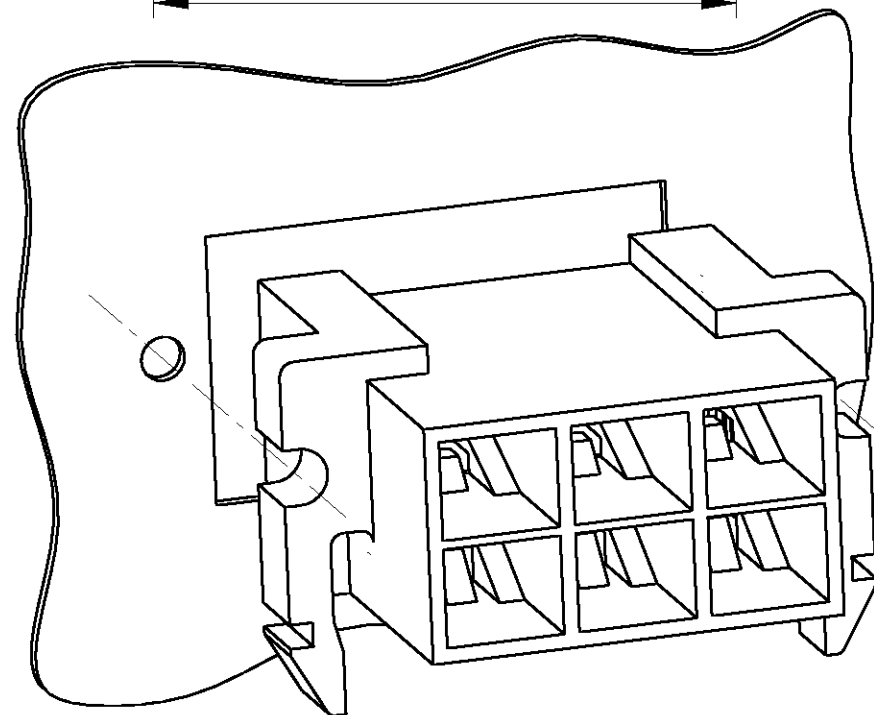
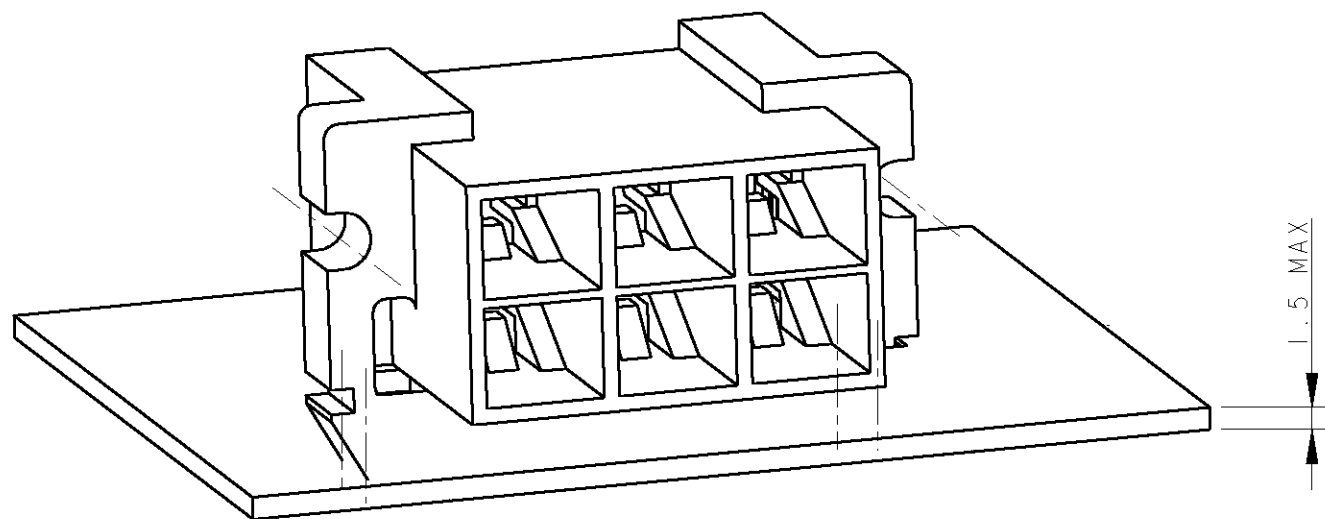
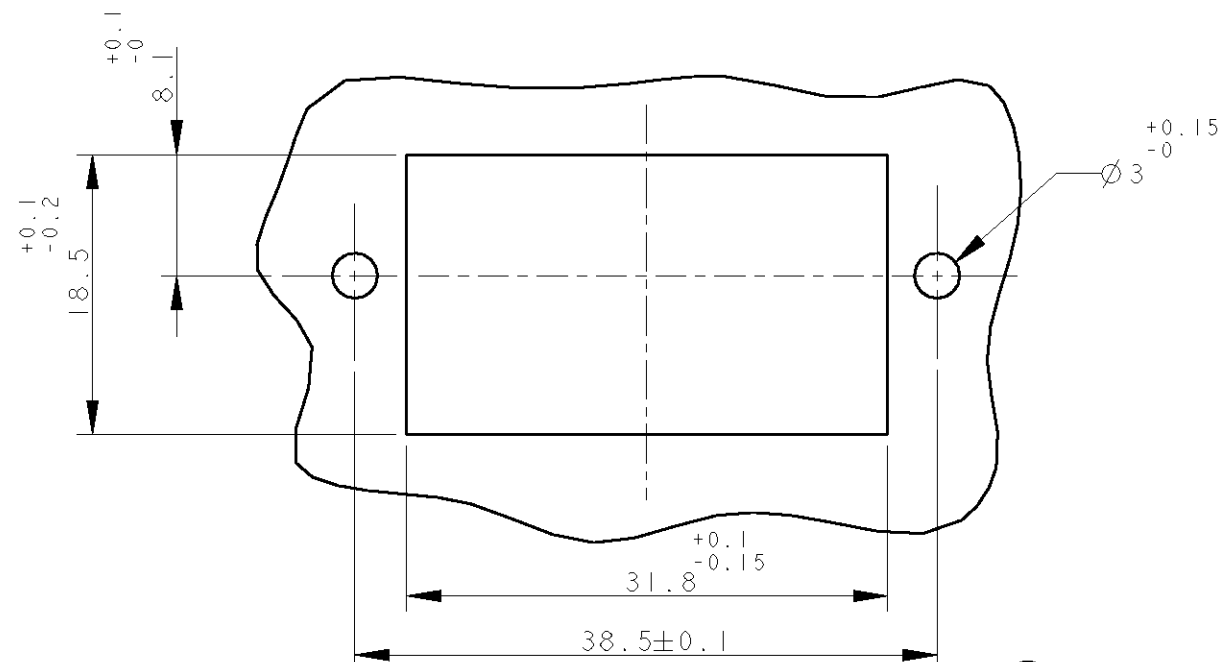
BY AMP INCORPORATED. ALL RIGHTS RESERVED.

LOC		DIST		REVISIONS			
P	LTR	DESCRIPTION		DATE	DWN	APVD	
		SEE SHEET 1 OF 2					

QUOTE DI MONTAGGIO PER DIMA PERPENDICOLARE
(MOUNTING DIMENSIONS FOR FASTENING HSG PERPENDICULAR WITH PANEL)



QUOTE DI MONTAGGIO PER DIMA PARALLELA
(MOUNTING DIMENSIONS FOR FASTENING HSG IN PARALLEL WITH THE PANEL)



THIS DRAWING IS A CONTROLLED DOCUMENT FOR AMP INCORPORATED. IT IS SUBJECT TO CHANGE AND THE CONTROLLING ENGINEERING ORGANIZATION SHOULD BE CONTACTED FOR THE LATEST REVISION.		DWN	AMP Italia S.p.A.	
DIMENSIONS: mm		CHK	C.so F.lli Cervi 15 Collegno (TO)	
TOLERANCES UNLESS OTHERWISE SPECIFIED: 0 PLC ± 1 PLC ± 2 PLC ± 3 PLC ± 4 PLC ± ANGLES ±		APVD	NAME FASTIN-FASTON, .250" Sr. DIME DI MONTAGGIO PER CONNETTORE PORTA MASCHI A 6 VIE (MOUNTING DIMENSIONS FOR 6 WAY FASTIN-FASTON TAB HOUSING P/N 180948)	
MATERIAL		PRODUCT SPEC	SIZE	CAGE CODE
FINISH		APPLICATION SPEC	A3	00779
		WEIGHT	DRAWING NO C-180948	
		CUSTOMER DRAWING	SCALE 2:1	SHEET 2 OF 2
			REV AD4	