



Chipsmall Limited consists of a professional team with an average of over 10 year of expertise in the distribution of electronic components. Based in Hongkong, we have already established firm and mutual-benefit business relationships with customers from,Europe,America and south Asia,supplying obsolete and hard-to-find components to meet their specific needs.

With the principle of "Quality Parts,Customers Priority,Honest Operation,and Considerate Service",our business mainly focus on the distribution of electronic components. Line cards we deal with include Microchip,ALPS,ROHM,Xilinx,Pulse,ON,Everlight and Freescale. Main products comprise IC,Modules,Potentiometer,IC Socket,Relay,Connector.Our parts cover such applications as commercial,industrial, and automotives areas.

We are looking forward to setting up business relationship with you and hope to provide you with the best service and solution. Let us make a better world for our industry!



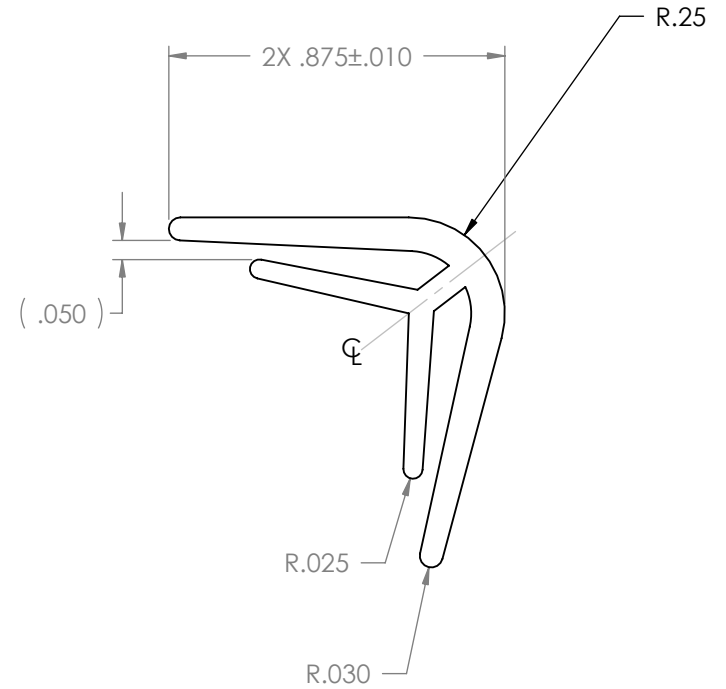
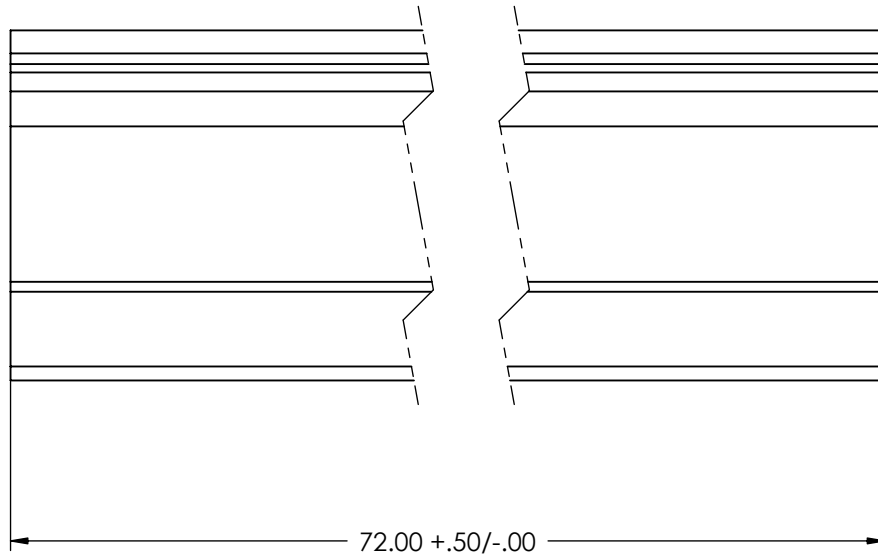
Contact us

Tel: +86-755-8981 8866 Fax: +86-755-8427 6832

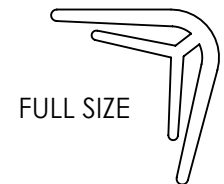
Email & Skype: info@chipsmall.com Web: www.chipsmall.com

Address: A1208, Overseas Decoration Building, #122 Zhenhua RD., Futian, Shenzhen, China





CS_ COLOR
(CONTACT FACTORY FOR AVAIL. COLORS)



INVENTORS

HellermannTyton®

ALL PROPRIETARY RIGHTS IN THE SUBJECT MATTER SHOWN ON THIS DRAWING ARE EXCLUSIVE PROPERTY OF HELLERMANN TYTON

name	date	city, state

REVISION

D	level	01
A	by	AAC
W	date	03/08/2002
I	ECN #	003041
N	part level	--

DIMENSIONS

FOOTNOTES	.xxxx = ±.0005
	.xxx = ±.005
	.xx = ±.01
	.x = ±.03
	∠ = ±0.5°
	unless otherwise specified
units	inches

PART

number	CS_	phase	Production
name	CORNER STRIP		
material	PVC		

DRAWING

format	AH	CAD	SW 2007	scale	2:1
version N	computer file name		previous drawing number		
	DT2016001CST_01				
drawn	AAC	checked	MEF	approved	
	03/08/02	checked	03/08/2002	approved	
type	CUSTOMER	sheet 1 of 1			
number	DT2016001CST				