



Chipsmall Limited consists of a professional team with an average of over 10 year of expertise in the distribution of electronic components. Based in Hongkong, we have already established firm and mutual-benefit business relationships with customers from,Europe,America and south Asia,supplying obsolete and hard-to-find components to meet their specific needs.

With the principle of “Quality Parts,Customers Priority,Honest Operation,and Considerate Service”,our business mainly focus on the distribution of electronic components. Line cards we deal with include Microchip,ALPS,ROHM,Xilinx,Pulse,ON,Everlight and Freescale. Main products comprise IC,Modules,Potentiometer,IC Socket,Relay,Connector.Our parts cover such applications as commercial,industrial, and automotives areas.

We are looking forward to setting up business relationship with you and hope to provide you with the best service and solution. Let us make a better world for our industry!



## Contact us

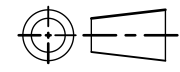
Tel: +86-755-8981 8866 Fax: +86-755-8427 6832

Email & Skype: info@chipsmall.com Web: www.chipsmall.com

Address: A1208, Overseas Decoration Building, #122 Zhenhua RD., Futian, Shenzhen, China

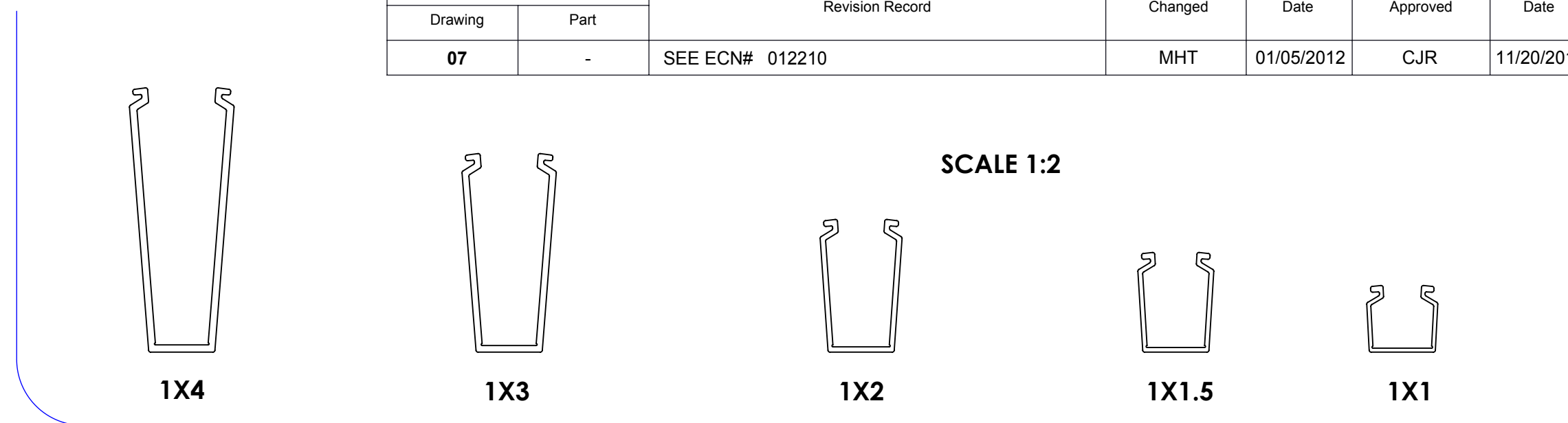
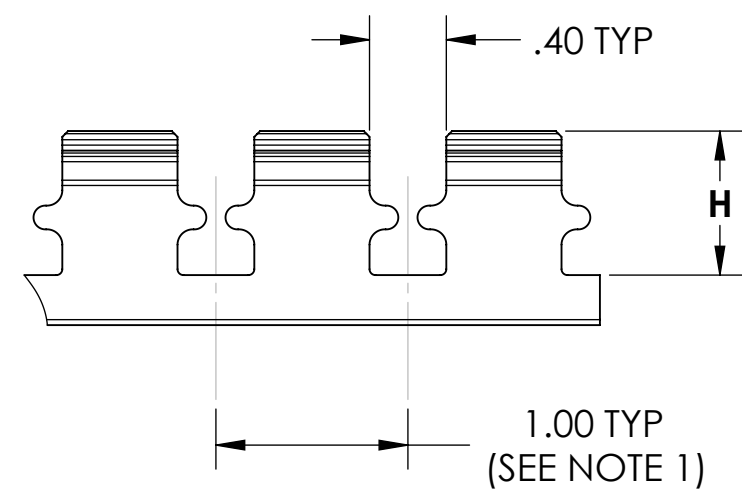


SW2011

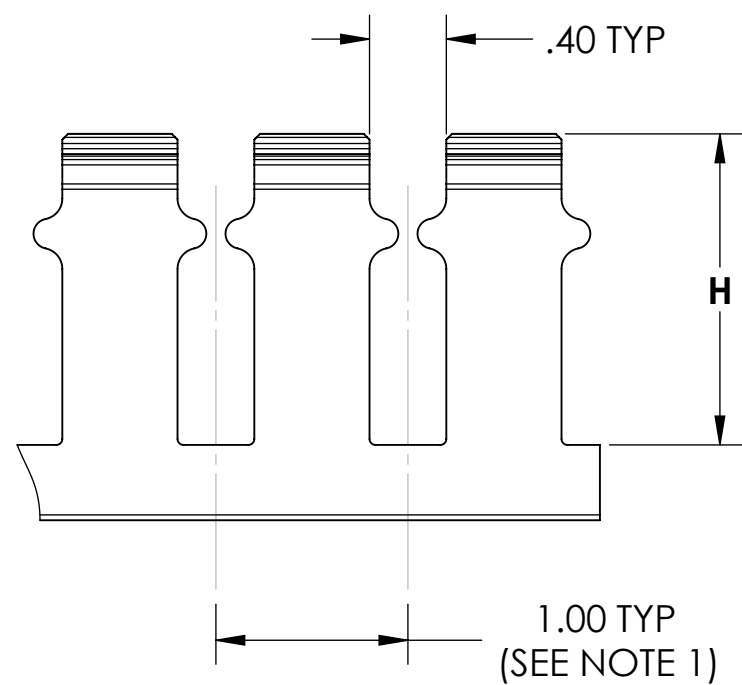


Revision level		Revision Record	Changed	Date	Approved	Date
Drawing	Part					
07	-	SEE ECN# 012210	MHT	01/05/2012	CJR	11/20/2012

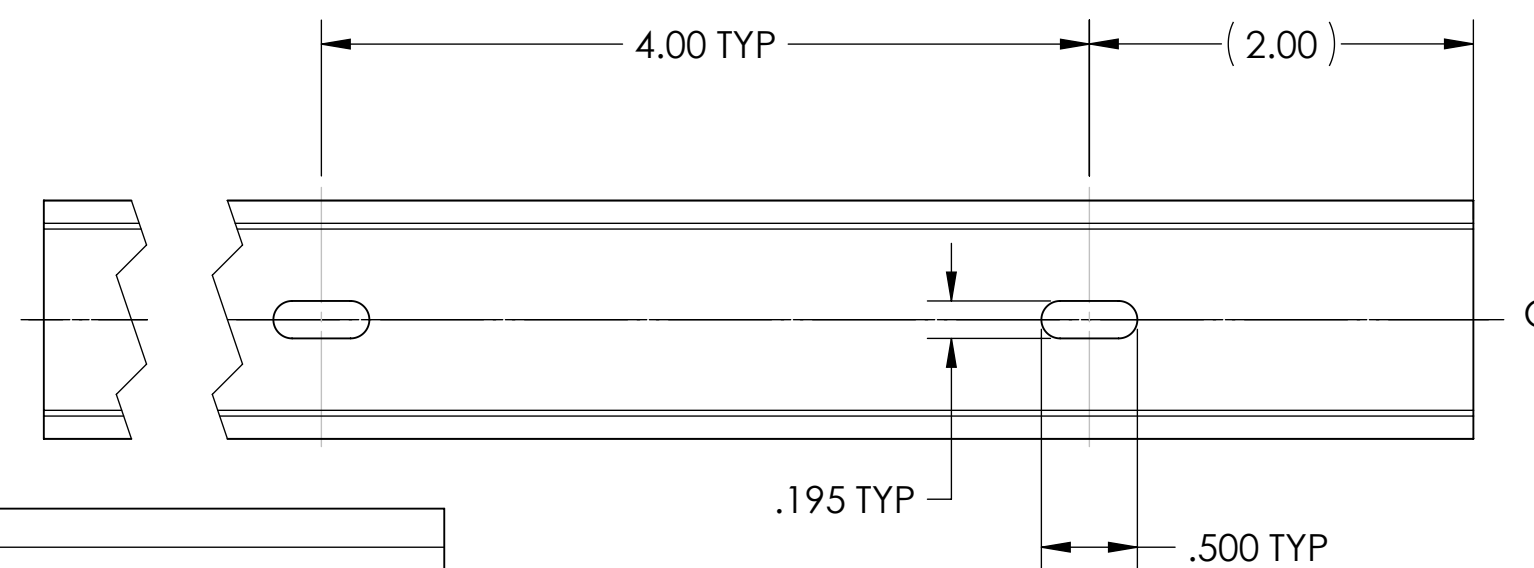
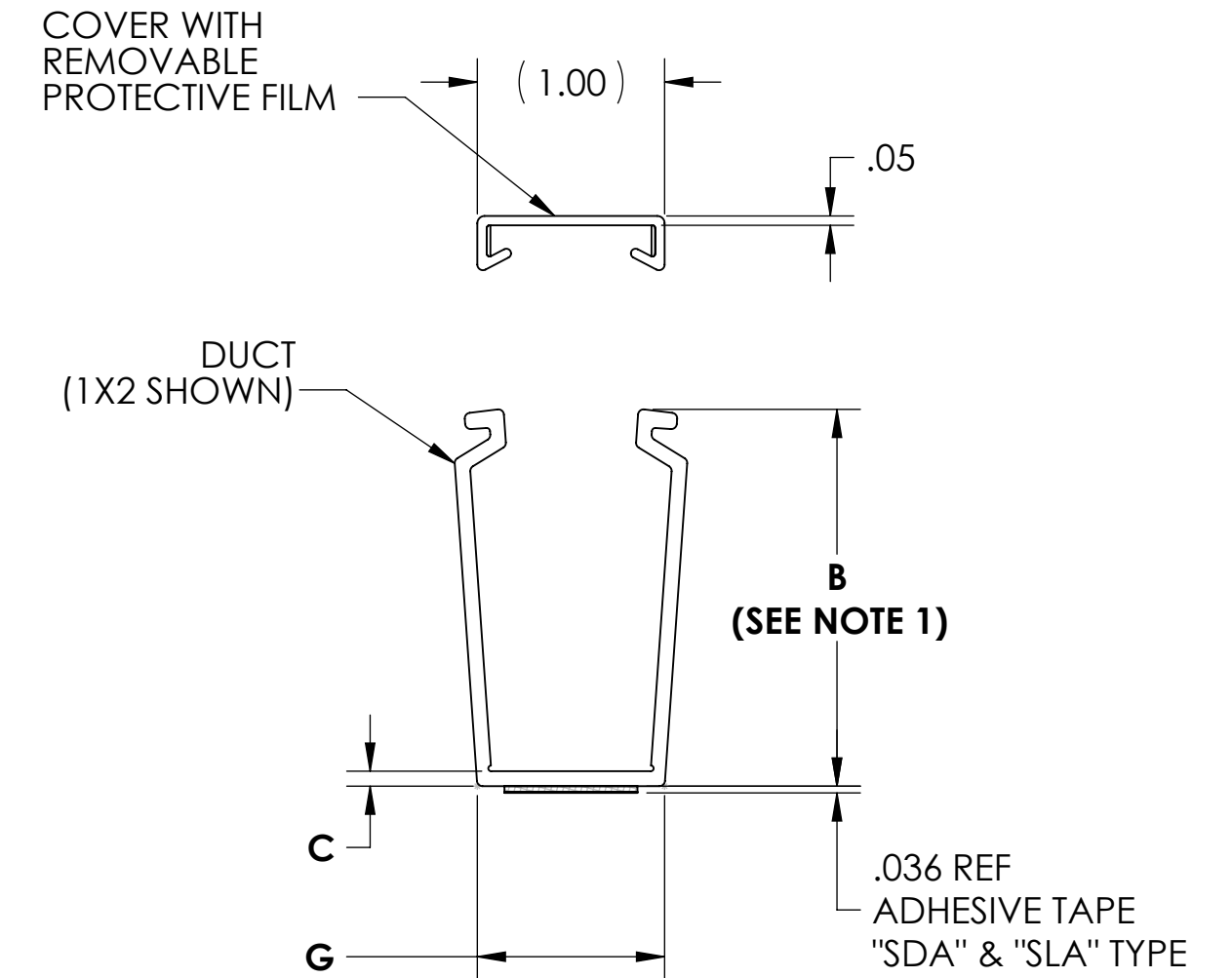
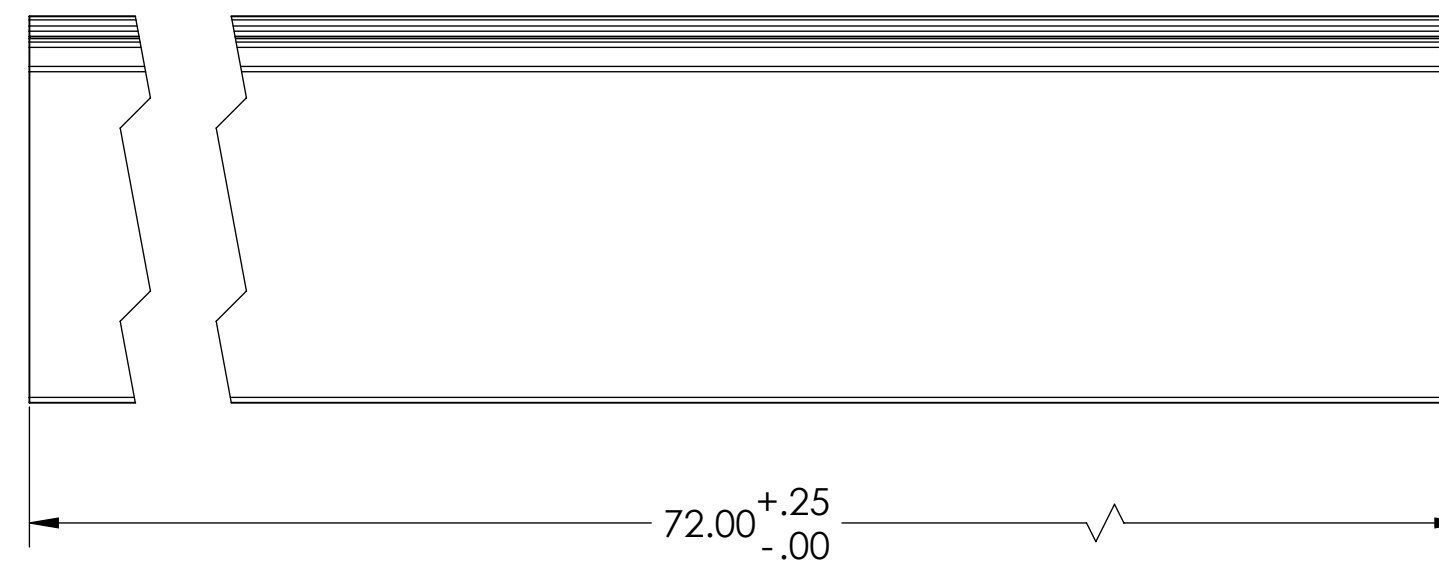
**SLOTTED WALL DUCT  
TYPE "SL1X1"**



**SLOTTED WALL DUCT  
TYPE "SL1X1.5" "SL1X2" "SL1X3" "SL1X4"**



**SOLID WALL DUCT  
TYPE "SD"**



TYPE	DESCRIPTION	MOUNTING METHOD	B (SEE NOTE 1)	C	G	H
TC1	COVER	-	-	-	-	-
SD1X1	SOLID DUCT	SCREW	1.004 +.020/-0.015	.060 ±.005	1.000 +/--.025	-
SD1X1.5	"	"	1.506 +.025/-0.020	.070 ±.005	1.000 +/--.025	-
SD1X2	"	"	2.008 +.025/-0.020	.080 +.005/-0.012	1.000 +.025/-0.039	-
SD1X3	"	"	3.009 +.035/-0.020	.100 ±.010	1.000 +/--.029	-
SD1X4	"	"	4.008 +.045/-0.020	.110 +.008/-0.015/0.07	1.000 +/--.031	-
SDA1X1	SOLID DUCT W/ADHES.	ADHESIVE TAPE	1.004 +.020/-0.015	.060 ±.005	1.000 +/--.025	-
SDA1X1.5	"	"	1.506 +.025/-0.020	.070 ±.005	1.000 +/--.025	-
SDA1X2	"	"	2.008 +.025/-0.020	.080 +.005/-0.012	1.000 +.025/-0.039	-
SDA1X3	"	"	3.009 +.035/-0.020	.100 ±.010	1.000 +/--.029	-
SDA1X4	"	"	4.008 +.045/-0.020	.110 +.008/-0.015/0.07	1.000 +/--.031	-
SL1X1	SLOTTED DUCT	SCREW	1.004 +.020/-0.015	.060 ±.005	1.000 +/--.025	.750 ±.010
SL1X1.5	"	"	1.506 +.025/-0.020	.070 ±.005	1.000 +/--.025	1.190 ±.015
SL1X2	"	"	2.008 +.025/-0.020	.080 +.005/-0.012	1.000 +.025/-0.039	1.620 ±.015
SL1X3	"	"	3.009 +.035/-0.020	.100 ±.010	1.000 +/--.029	2.600 ±.015
SL1X4	"	"	4.008 +.045/-0.020	.110 +.008/-0.015/0.07	1.000 +/--.031	3.600 ±.015
SLA1X1	SLOTTED DUCT W/ADHES.	ADHESIVE TAPE	1.004 +.020/-0.015	.060 ±.005	1.000 +/--.025	.750 ±.010
SLA1X1.5	"	"	1.506 +.025/-0.020	.070 ±.005	1.000 +/--.025	1.190 ±.015
SLA1X2	"	"	2.008 +.025/-0.020	.080 +.005/-0.012	1.000 +.025/-0.039	1.620 ±.015
SLA1X3	"	"	3.009 +.035/-0.020	.100 ±.010	1.000 +/--.029	2.600 ±.015
SLA1X4	"	"	4.008 +.045/-0.020	.110 +.008/-0.015/0.07	1.000 +/--.031	3.600 ±.015

50% WIRE FILL CAPACITY

DUCT SIZE (WxH)	DUCT AREA (Sq. In.)	WIRE O.D.																		
		12AWG					14AWG				16AWG			18AWG			22AWG			
		TWISTED PAIR 24 AWG UNSHIELDED			TWISTED PAIR 24 AWG UNSHIELDED			TWISTED PAIR 24 AWG UNSHIELDED			TWISTED PAIR 24 AWG UNSHIELDED			TWISTED PAIR 24 AWG UNSHIELDED						
		.158	.165	.139	.125	.113	.065	.217	.240	.354										
1X1	.735	19	17	24	30	37	111	10	8	4										
1X1.5	1.135	29	27	37	46	57	171	15	13	6										
1X2	1.515	39	35	50	62	76	228	20	17	8										
1X3	2.220	57	52	73	90	111	335	30	25	11										
1X4	2.936	75	69	97	120	146	443	40	32	15										

Notes  
1) BOTH SIDES ALIKE WITHIN .015

Material  
PVC  
AVAILABLE IN WHITE,  
GRAY, BLACK, OR BLUE  
CONSULT FACTORY FOR  
OTHER COLORS  
RoHS COMPLIANT

Units inches  
Dimension without tolerances  
details to:  
.xxxx = ±.0005  
.xxx = ±.005  
.xx = ±.01  
.x = ±.03  
None = ±.06  
∠ = ±0.5°

The copyright of this drawing is reserved by HellermannTyton. It is issued on condition that it is not reproduced, copied, or disclosed to a third party, either wholly or in part, without the consent of HellermannTyton.

Drawn	KAC	06/17/2009	Article/Type-No	SEE CHART	Scale	1:1
Approved			Title	1" WIDE SD, SDA, SL, SLA DUCT WITH COVER	Project Number	PRP07-021
HellermannTyton North America Email: corp@htamericas.com Web: www.hellermann.tyton.com			Drawing-No	DT07-021-102CST	Format	C
			Pre-Production : Phase		Sheet	1/1