



Chipsmall Limited consists of a professional team with an average of over 10 year of expertise in the distribution of electronic components. Based in Hongkong, we have already established firm and mutual-benefit business relationships with customers from,Europe,America and south Asia,supplying obsolete and hard-to-find components to meet their specific needs.

With the principle of “Quality Parts,Customers Priority,Honest Operation,and Considerate Service”,our business mainly focus on the distribution of electronic components. Line cards we deal with include Microchip,ALPS,ROHM,Xilinx,Pulse,ON,Everlight and Freescale. Main products comprise IC,Modules,Potentiometer,IC Socket,Relay,Connector.Our parts cover such applications as commercial,industrial, and automotives areas.

We are looking forward to setting up business relationship with you and hope to provide you with the best service and solution. Let us make a better world for our industry!



Contact us

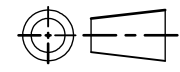
Tel: +86-755-8981 8866 Fax: +86-755-8427 6832

Email & Skype: info@chipsmall.com Web: www.chipsmall.com

Address: A1208, Overseas Decoration Building, #122 Zhenhua RD., Futian, Shenzhen, China

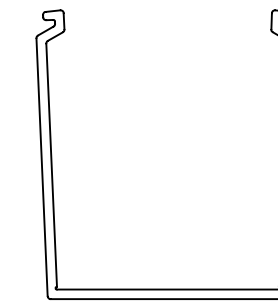


SW2010



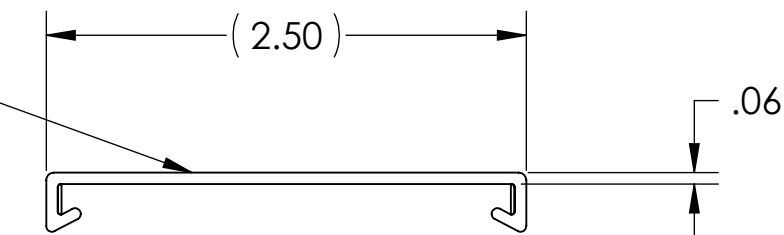
Revision level		Revision Record	Changed	Date	Approved	Date
Drawing	Part					
01	-	SEE ECN# 100016	MHT	01/09/2012	MHT	02/06/2012

SCALE 1:2

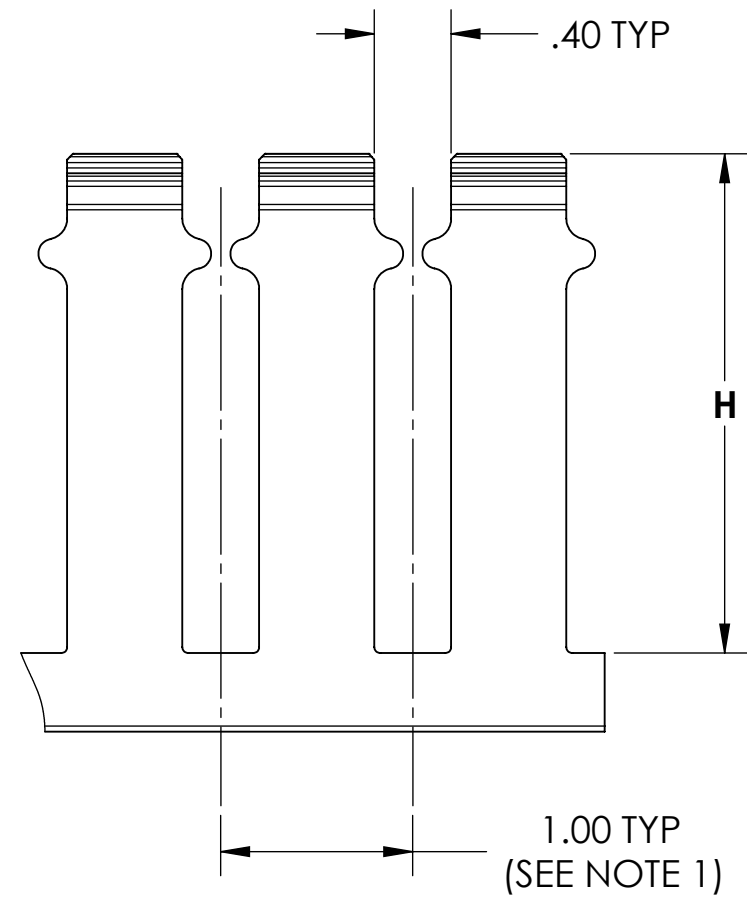


2.5X3

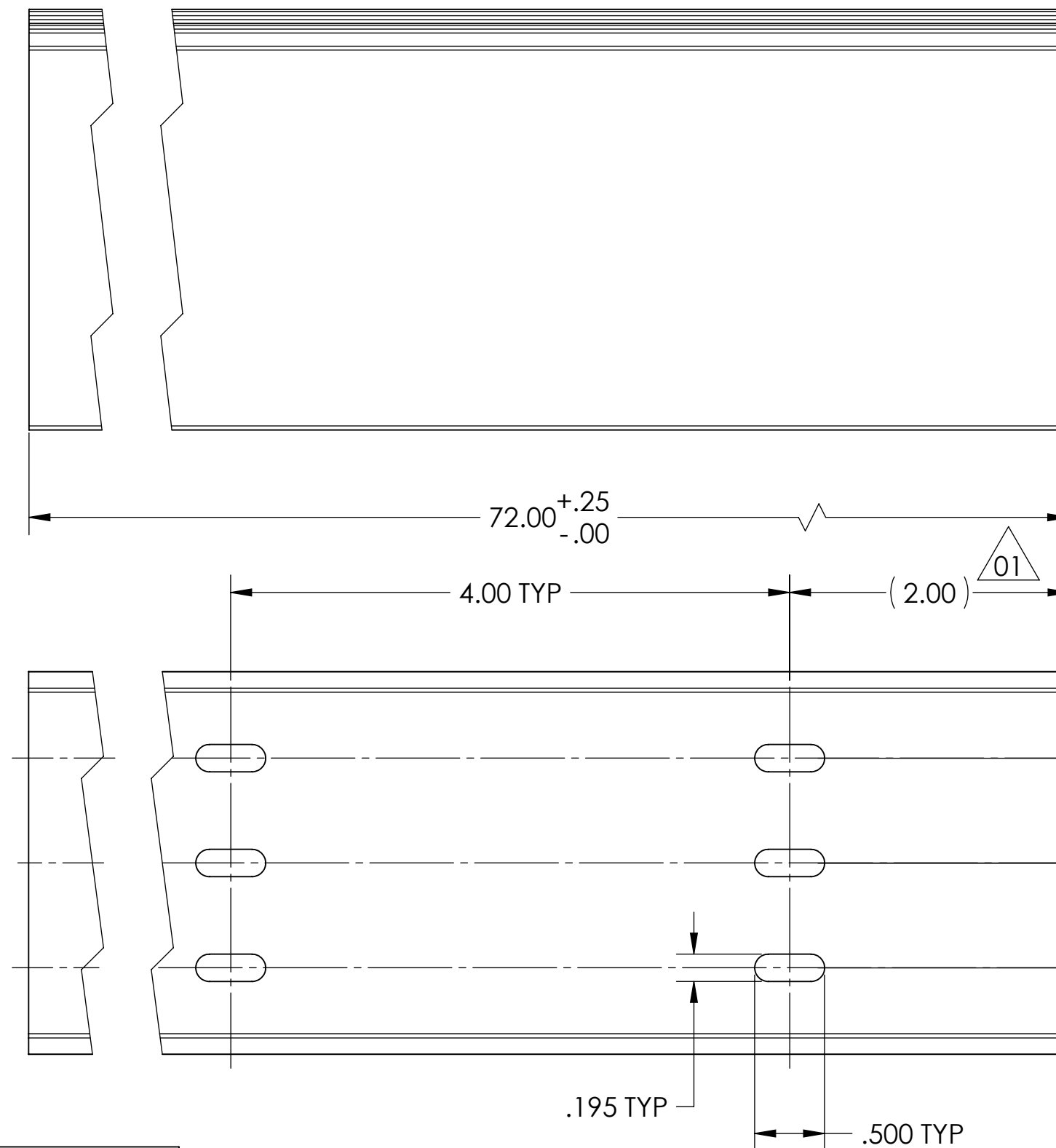
COVER WITH REMOVABLE PROTECTIVE FILM



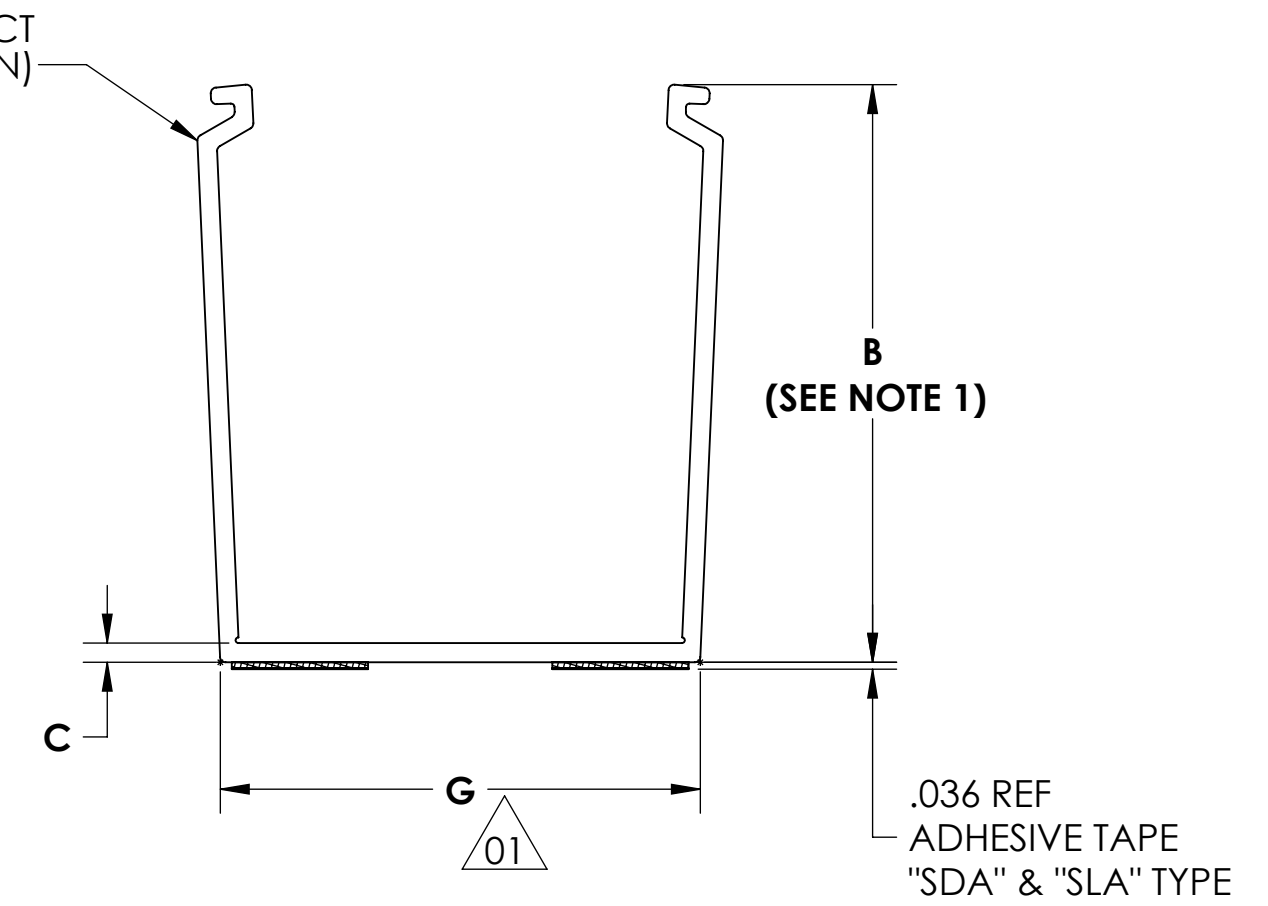
SLOTTED WALL DUCT TYPE "SL"



SOLID WALL DUCT TYPE "SD"



DUCT (2.5X3 SHOWN)



50% WIRE FILL CAPACITY
WIRE O.D.

DUCT SIZE (WxH)	DUCT AREA (Sq. In.)	TWISTED PAIR 24 AWG UNSHIELDED											
		12AWG	14AWG	16AWG	18AWG	22AWG	4 Pr. Cat 5e	4 Pr. Cat 6	4 Pr. Cat 6a				
2.5X3	6.564	.158	.165	.139	.125	.113	.065	.217	.240	.354	89	73	33

Notes
1) BOTH SIDES ALIKE WITHIN .015



Material

PVC
AVAILABLE IN WHITE,
GRAY, BLACK, OR BLUE
CONSULT FACTORY FOR
OTHER COLORS
RoHS COMPLIANT

Units

inches
Dimension without tolerances
details to:
.xxxx = ±.0005
.xxx = ±.005
.xx = ±.01
.x = ±.03
None = ±.06
∠ = ±0.5°

The copyright of this drawing is reserved by HellermannTyton. It is issued on condition that it is not reproduced, copied, or disclosed to a third party, either wholly or in part, without the consent of HellermannTyton.

TYPE NUMBER	DESCRIPTION	MOUNTING METHOD	B (SEE NOTE 1)	C	G	H
TC2.5	COVER	-	-	-	-	-
SD2.5X3	SOLID DUCT	SCREW	3.009 +.035/-0.020	.100 +/--.007	2.500 +/--.029	-
SDA2.5X3	SOLID DUCT W/ADHES.	ADHESIVE TAPE	3.009 +.035/-0.020	.100 +/--.007	2.500 +/--.029	-
SL2.5X3	SLOTTED DUCT	SCREW	3.009 +.035/-0.020	.100 +/--.007	2.500 +/--.029	2.600 ±.015
SLA2.5X3	SLOTTED DUCT W/ADHES.	ADHESIVE TAPE	3.009 +.035/-0.020	.100 +/--.007	2.500 +/--.029	2.600 ±.015

Drawn	KAC	10/27/2010	Article/Type-No	SEE CHART	Scale	1:1
Approved			Title	2.5" WIDE SD, SDA, SL, SLA DUCT WITH COVER	Project Number	PRP07-021
HellermannTyton			Drawing-No	DT07-021-252CST	Format	C
North America Email: corp@htamericas.com Web: www.hellermann.tyton.com			Pre-Production : Phase		Sheet	1/1