



Chipsmall Limited consists of a professional team with an average of over 10 year of expertise in the distribution of electronic components. Based in Hongkong, we have already established firm and mutual-benefit business relationships with customers from,Europe,America and south Asia,supplying obsolete and hard-to-find components to meet their specific needs.

With the principle of “Quality Parts,Customers Priority,Honest Operation,and Considerate Service”,our business mainly focus on the distribution of electronic components. Line cards we deal with include Microchip,ALPS,ROHM,Xilinx,Pulse,ON,Everlight and Freescale. Main products comprise IC,Modules,Potentiometer,IC Socket,Relay,Connector.Our parts cover such applications as commercial,industrial, and automotives areas.

We are looking forward to setting up business relationship with you and hope to provide you with the best service and solution. Let us make a better world for our industry!



Contact us

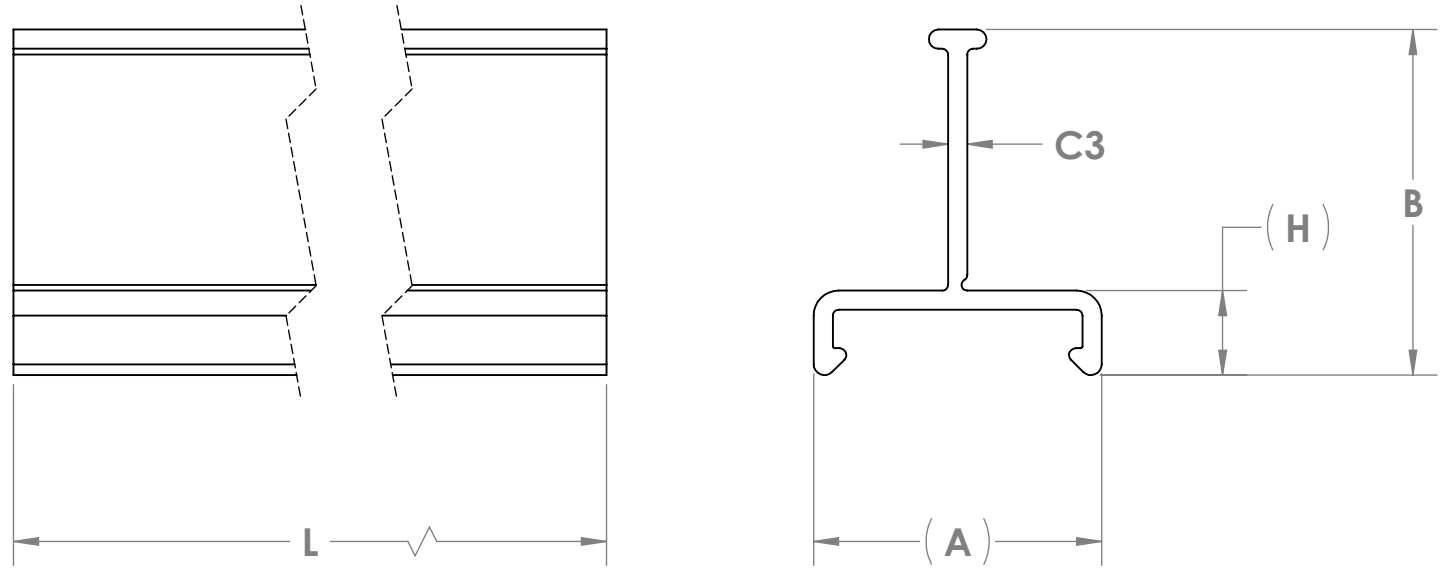
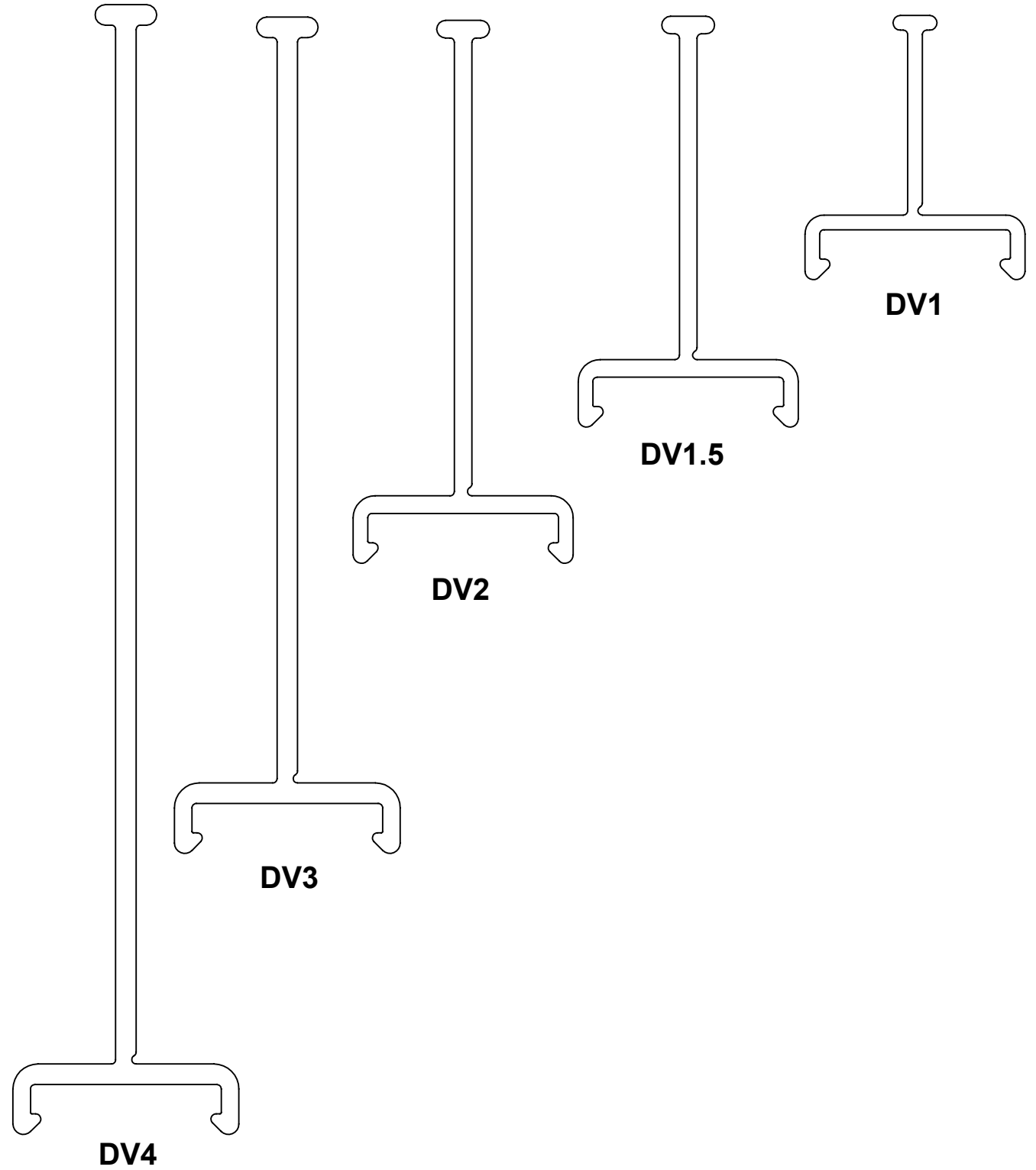
Tel: +86-755-8981 8866 Fax: +86-755-8427 6832

Email & Skype: info@chipsmall.com Web: www.chipsmall.com

Address: A1208, Overseas Decoration Building, #122 Zhenhua RD., Futian, Shenzhen, China



Revision level		Revision Record	Changed	Date	Approved	Date
Drawing	Part					
02	-	SEE ECN# 100011	MHT	05/13/2011	MHT	05/13/2011



DV1 PROFILE SHOWN

TYPE	(A)	B	C3	(H)	L
DV1	.75	.90 +.01/-.02	.05	.220	72.00 +.25/-.00
DV1.5	.75	1.40 +.01/-.03	.06	.230	72.00 +.25/-.00
DV2	.75	1.85 +.01/-.04	.06	.230	72.00 +.25/-.00
DV3	.77	2.85 +.01/-.05	.07	.240	72.00 +.25/-.00
DV4	.77	3.85 +.01/-.06	.07	.240	72.00 +.25/-.00




Notes
 1) MUST BE USED WITH DIVIDER MOUNT DVM.
 2) DIVIDER HEIGHTS DESIGNED TO FIT WITH CORRESPONDING WIRING DUCT HEIGHTS.

Material
 PVC, AVAILABLE IN GRAY OR WHITE, RoHS COMPLIANT

Units inches
 Dimension without tolerances details to:
 .xxxx = ±.0005
 .xxx = ±.005
 .xx = ±.01
 .x = ±.03
 None = ±.06
 < = ±0.5°

The copyright of this drawing is reserved by HellermannTyton. It is issued on condition that it is not reproduced, copied, or disclosed to a third party, either wholly or in part, without the consent of HellermannTyton.

Drawn KAC 02/10/2011
 Approved MHT 05/13/2011

 North America
 Email: corp@htamericas.com
 Web: www.hellermann.tyton.com

Article/Type-No	SEE CHART	Scale	2:1
Title	DUCT DIVIDER 1", 1.5", 2", 3", 4"	Project Number	PRP10-0847
Drawing-No	DT10-0847-001CST	Production : Phase	Format B
			Sheet 1/1