



Chipsmall Limited consists of a professional team with an average of over 10 year of expertise in the distribution of electronic components. Based in Hongkong, we have already established firm and mutual-benefit business relationships with customers from,Europe,America and south Asia,supplying obsolete and hard-to-find components to meet their specific needs.

With the principle of “Quality Parts,Customers Priority,Honest Operation,and Considerate Service”,our business mainly focus on the distribution of electronic components. Line cards we deal with include Microchip,ALPS,ROHM,Xilinx,Pulse,ON,Everlight and Freescale. Main products comprise IC,Modules,Potentiometer,IC Socket,Relay,Connector.Our parts cover such applications as commercial,industrial, and automotives areas.

We are looking forward to setting up business relationship with you and hope to provide you with the best service and solution. Let us make a better world for our industry!



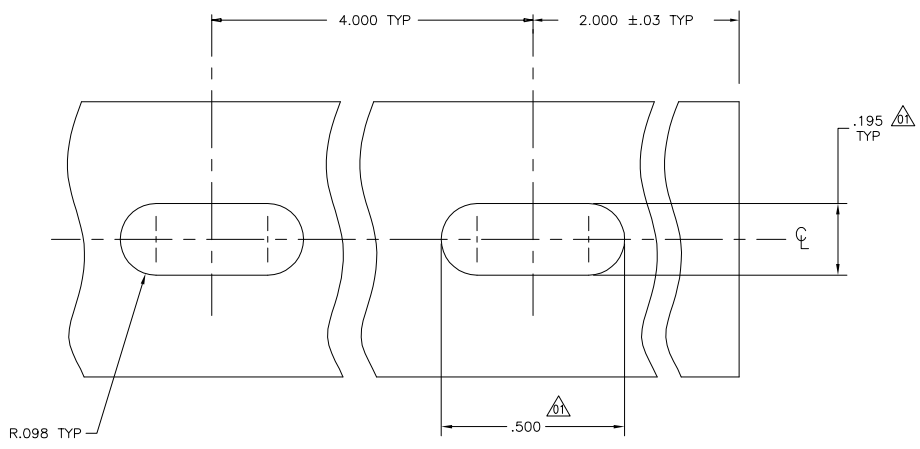
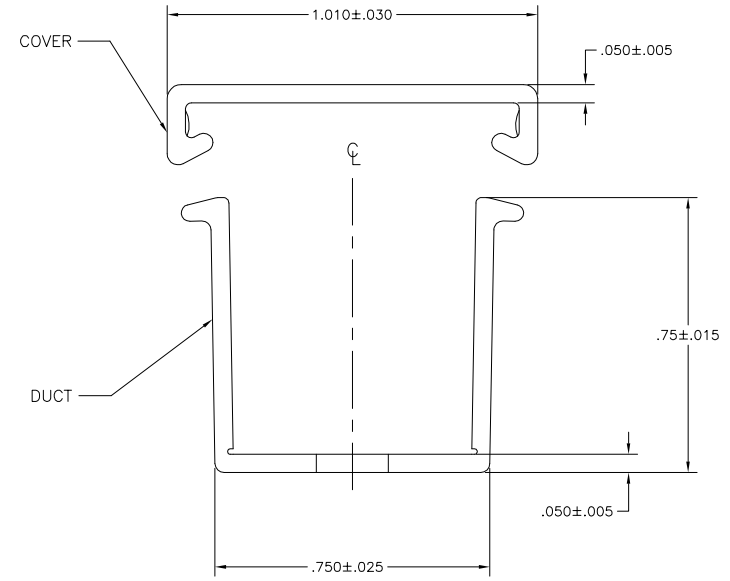
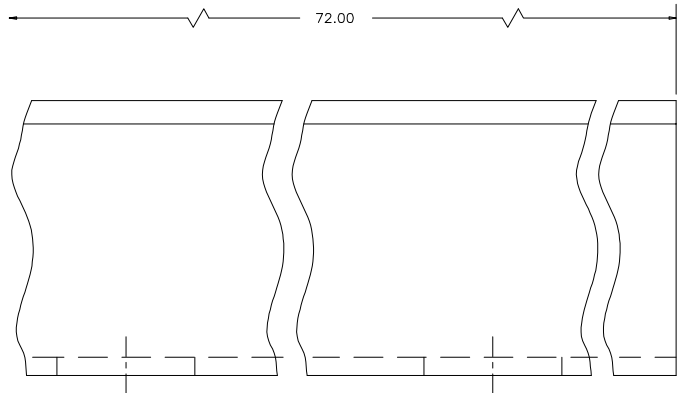
Contact us

Tel: +86-755-8981 8866 Fax: +86-755-8427 6832

Email & Skype: info@chipsmall.com Web: www.chipsmall.com

Address: A1208, Overseas Decoration Building, #122 Zhenhua RD., Futian, Shenzhen, China





REDUCED
NO SCALE

INVENTORS

HellermanTyton

ALL PROPRIETARY RIGHTS IN THE SUBJECT MATTER SHOWN ON THIS DRAWING ARE EXCLUSIVE PROPERTY OF HELLERMANNTYTON

name	date	city, state

NOTES

REVISIONS	DATE	level	$\Delta 01$
	BY	date	12/16/09
	DESIGNED	by	AAC
	CHECKED	ECN #	011427
	APPROVED	part level	-

DIMENSIONS

.XXXX =
.XXX = ± .015
.XX =
.X =
∠ =
unless otherwise specified
units inches

PART

number	SD.75X.75	phase	PRODUCTION
name	.75" WIDE SD DUCT		
material	PVC STANDARD AND CUSTOM COLORS		

DRAWING	request c version	0	cad	ACAD	scale	4X
	computer file number	DT\CST\2010077_01				
	drawn	J.D.S.	checked	KAC	date	12/16/09
	date	12/28/95	approved		sheet	1 of 1
	type	DETAIL		number	DT2010077CST	