



Chipsmall Limited consists of a professional team with an average of over 10 year of expertise in the distribution of electronic components. Based in Hongkong, we have already established firm and mutual-benefit business relationships with customers from,Europe,America and south Asia,supplying obsolete and hard-to-find components to meet their specific needs.

With the principle of “Quality Parts,Customers Priority,Honest Operation,and Considerate Service”,our business mainly focus on the distribution of electronic components. Line cards we deal with include Microchip,ALPS,ROHM,Xilinx,Pulse,ON,Everlight and Freescale. Main products comprise IC,Modules,Potentiometer,IC Socket,Relay,Connector.Our parts cover such applications as commercial,industrial, and automotives areas.

We are looking forward to setting up business relationship with you and hope to provide you with the best service and solution. Let us make a better world for our industry!



Contact us

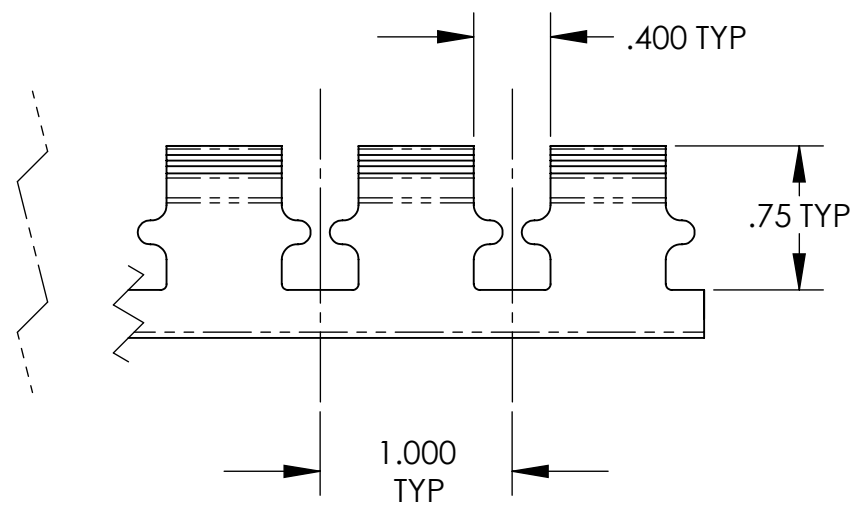
Tel: +86-755-8981 8866 Fax: +86-755-8427 6832

Email & Skype: info@chipsmall.com Web: www.chipsmall.com

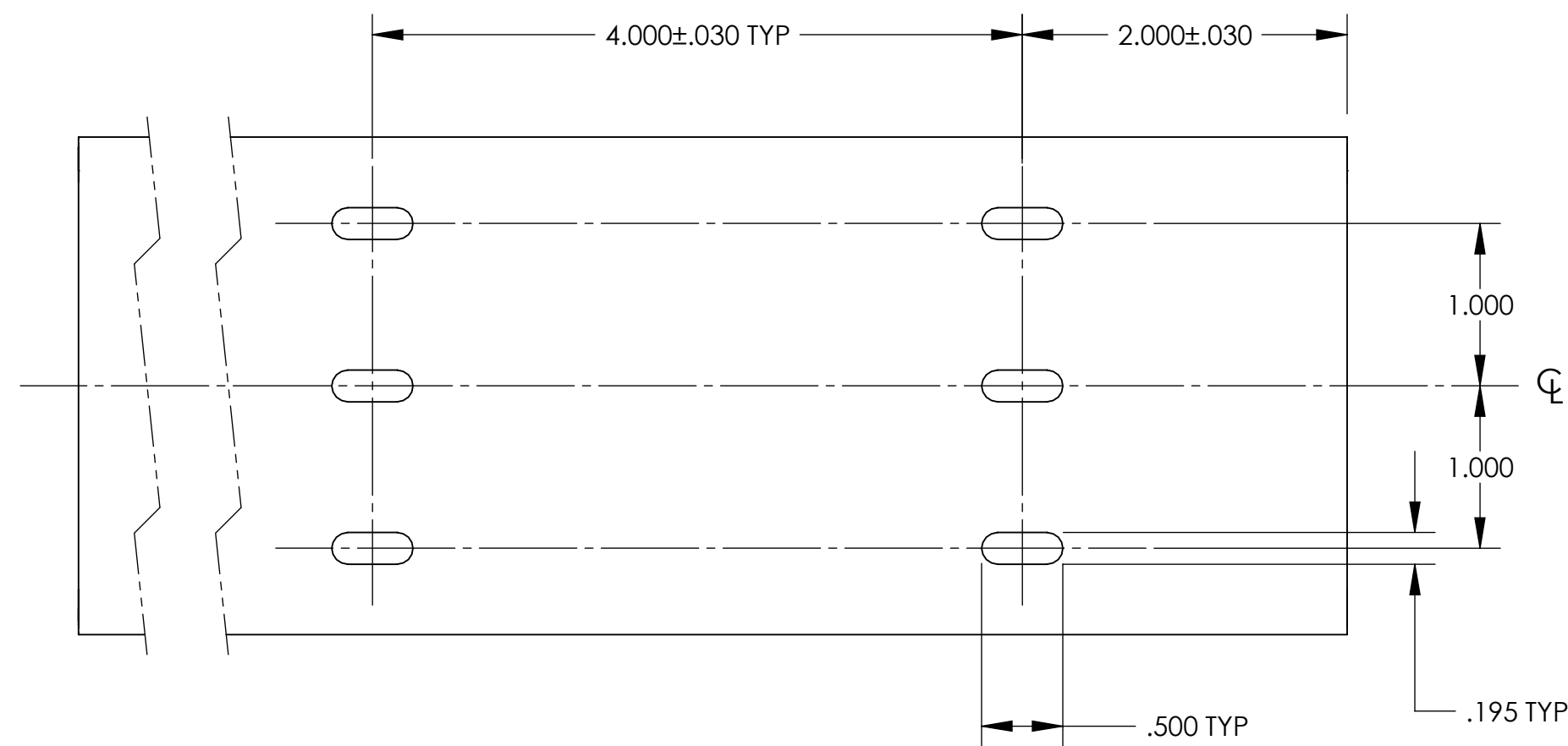
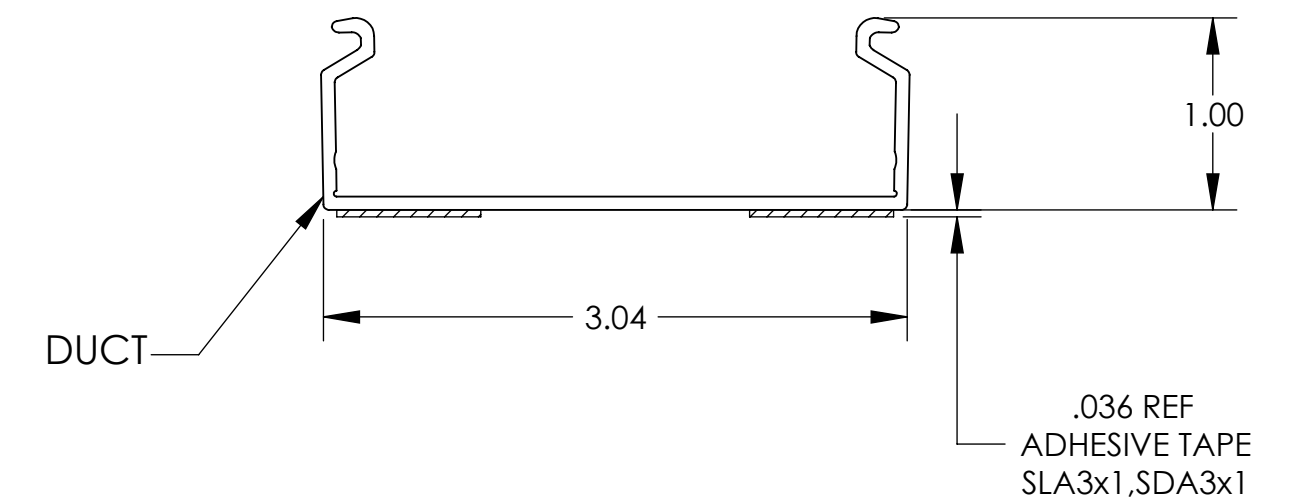
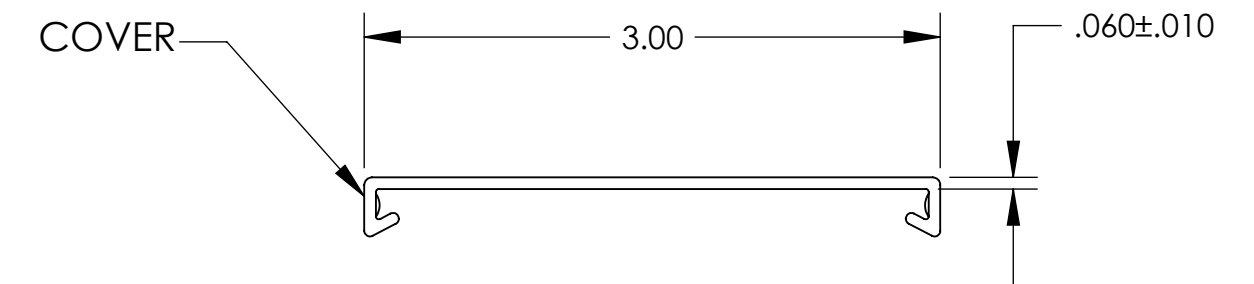
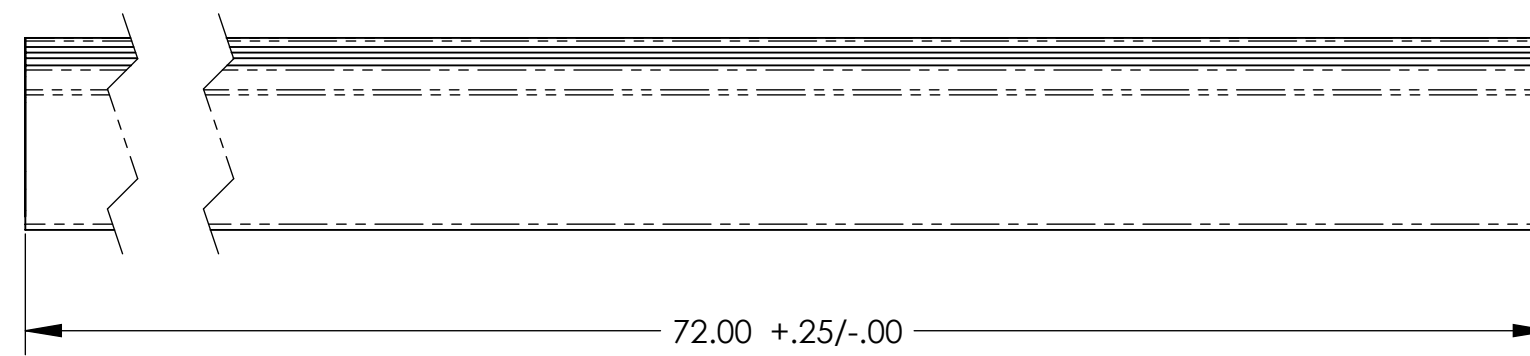
Address: A1208, Overseas Decoration Building, #122 Zhenhua RD., Futian, Shenzhen, China



SLOTTED WALL
DUCT "SL"



SOLID WALL
DUCT "SD"



DESCRIPTION	MOUNTING METHOD	TYTON PART No.
SLOTTED DUCT	SCREW	SL3x1
	ADH. TAPE	SLA3x1
SOLID DUCT	SCREW	SD3x1
	ADH. TAPE	SDA3x1
COVER	N/A	TC3

HellermannTyton
 ALL PROPRIETARY RIGHTS IN THE SUBJECT MATTER SHOWN ON THIS DRAWING ARE EXCLUSIVE PROPERTY OF HELLERMANN TYTON

name	date	city, state

NOTES

1. INSIDE DUCT AREA WITH COVER ON = 2.59IN²

REVISIONS

level	01
by	PLN
date	04/01/03
ECN #	003744
part level	A

TOLERANCES

.xxxx = ± .0005
 .xxx = ± .005
 .xx = ± .01
 .x = ± .03
 < = ± 0.5°
 unless otherwise specified

units inches

PART

number SEE CHART phase PRODUCTION
 name 3x1 DUCT WITH COVER
 material PVC STANDARD AND CUSTOM COLORS

DRAWING

format version N	C	CAD	SW	scale	1:1
computer file number	DT2010304CST_01		previous number		
drawn	T.G.V.	checked	MEF	approved	
date	11/17/97	checked	04/09/03	approved	
type	CUSTOMER		sheet	1 of 1	
number	DT2010304CST				