



Chipsmall Limited consists of a professional team with an average of over 10 year of expertise in the distribution of electronic components. Based in Hongkong, we have already established firm and mutual-benefit business relationships with customers from,Europe,America and south Asia,supplying obsolete and hard-to-find components to meet their specific needs.

With the principle of “Quality Parts,Customers Priority,Honest Operation,and Considerate Service”,our business mainly focus on the distribution of electronic components. Line cards we deal with include Microchip,ALPS,ROHM,Xilinx,Pulse,ON,Everlight and Freescale. Main products comprise IC,Modules,Potentiometer,IC Socket,Relay,Connector.Our parts cover such applications as commercial,industrial, and automotives areas.

We are looking forward to setting up business relationship with you and hope to provide you with the best service and solution. Let us make a better world for our industry!



Contact us

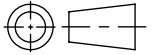
Tel: +86-755-8981 8866 Fax: +86-755-8427 6832

Email & Skype: info@chipsmall.com Web: www.chipsmall.com

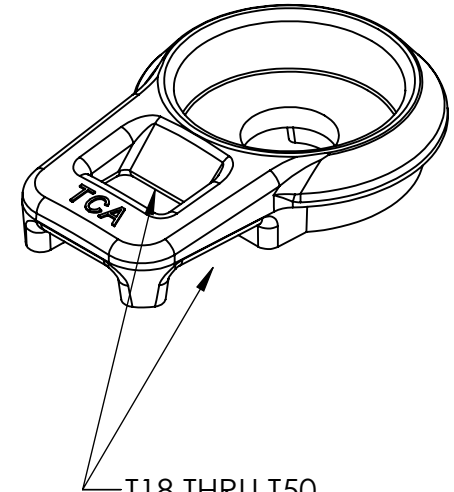
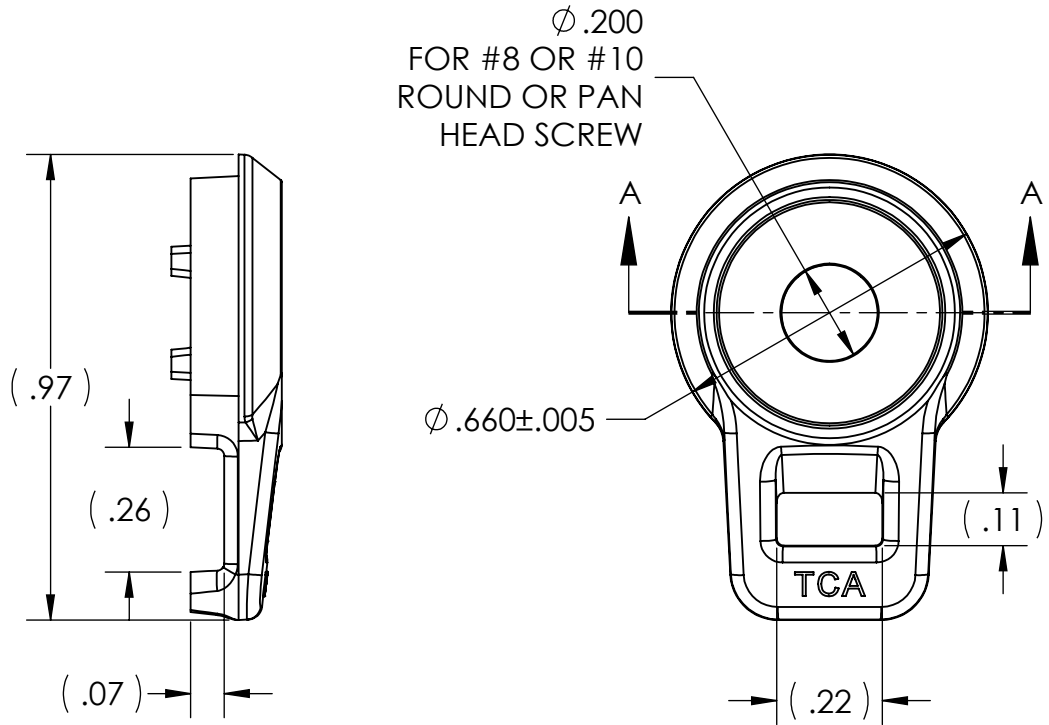
Address: A1208, Overseas Decoration Building, #122 Zhenhua RD., Futian, Shenzhen, China



SW2010

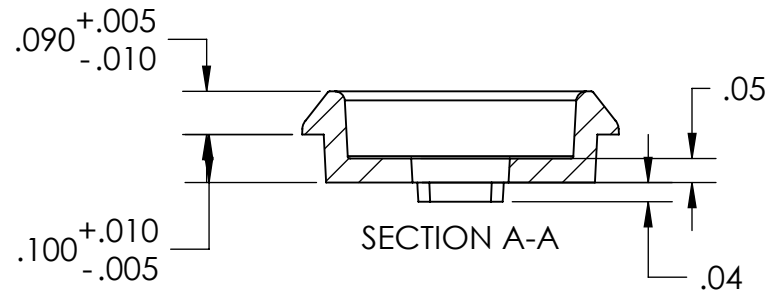


Revision level		Revision Record	Changed	Date	Approved	Date
Drawing	Part					
02	A	SEE ECN# 100006	KAC	04/12/2011	KAC	04/12/2011



T18 THRU T50
 CABLE TIE ENTRY
 LOCATIONS
 1 TOP, 2 BOTTOM

NOTE:
 INTENDED FOR USE WITH ALL
 DV DIVIDERS AND PRO-DUCT.



Material
 PA66 VO RATED BLACK
 RoHS COMPLIANT

Units inches
 Dimension without tolerances
 details to:
 .xxxx = ± .0005
 .xxx = ± .005
 .xx = ± .01
 .x = ± .03
 None = ± .06
 ∠ = ± 0.5°

The copyright of this drawing is
 reserved by HellermannTyton.
 It is issued on condition that it is not
 reproduced, copied, or disclosed to a
 third party, either wholly or in part,
 without the consent of
 HellermannTyton.

Drawn	KAC	01/31/2011	Article/Type-No	DVM	Scale	2.5:1
Approved	KAC	04/12/2011	Title	DUCT DIVIDER AND TIE MOUNT		Project Number
 North America Email: corp@htamericas.com Web: www.hellermann.tyton.com			Drawing-No	02 Production : Phase	Format	AH
			DT10-0936-005CST		Sheet	1/1