



Chipsmall Limited consists of a professional team with an average of over 10 year of expertise in the distribution of electronic components. Based in Hongkong, we have already established firm and mutual-benefit business relationships with customers from,Europe,America and south Asia,supplying obsolete and hard-to-find components to meet their specific needs.

With the principle of “Quality Parts,Customers Priority,Honest Operation,and Considerate Service”,our business mainly focus on the distribution of electronic components. Line cards we deal with include Microchip,ALPS,ROHM,Xilinx,Pulse,ON,Everlight and Freescale. Main products comprise IC,Modules,Potentiometer,IC Socket,Relay,Connector.Our parts cover such applications as commercial,industrial, and automotives areas.

We are looking forward to setting up business relationship with you and hope to provide you with the best service and solution. Let us make a better world for our industry!



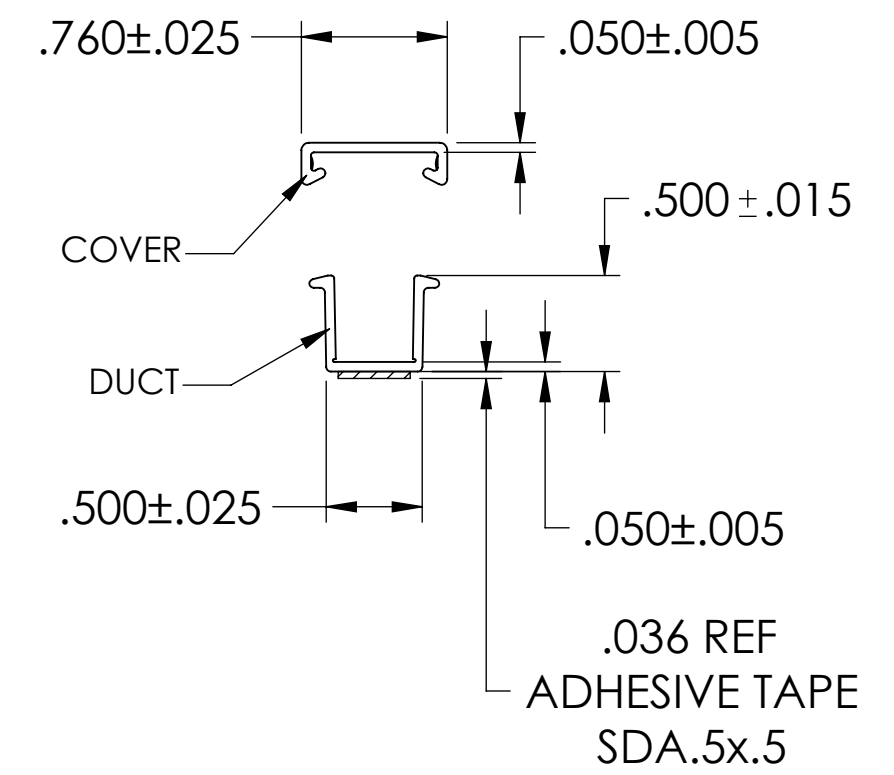
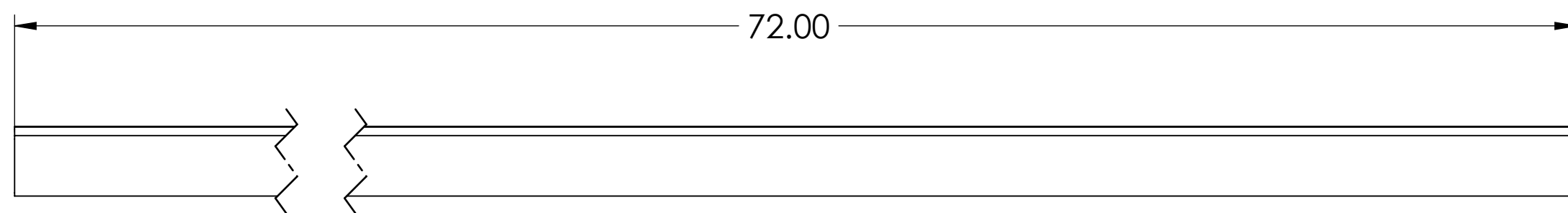
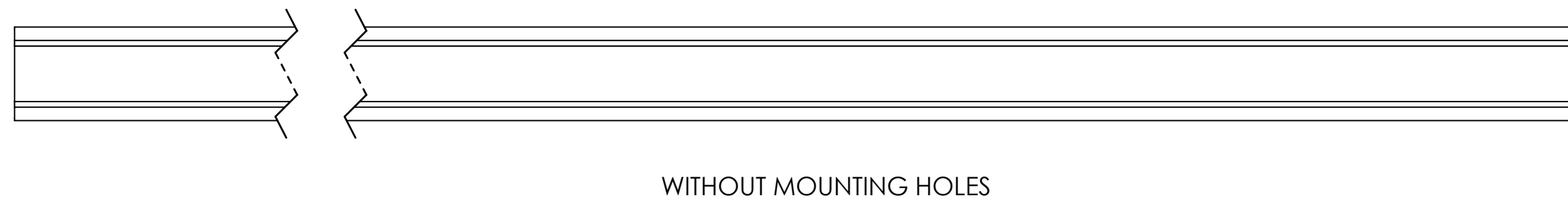
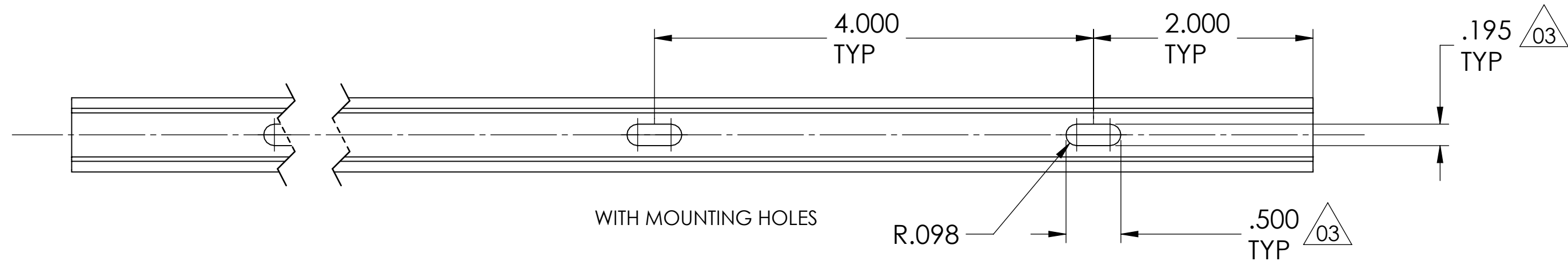
Contact us

Tel: +86-755-8981 8866 Fax: +86-755-8427 6832

Email & Skype: info@chipsmall.com Web: www.chipsmall.com

Address: A1208, Overseas Decoration Building, #122 Zhenhua RD., Futian, Shenzhen, China





DESCRIPTION	MOUNTING METHOD	TYTON PART No.
SOLID DUCT NO MOUNTING HOLES	-	SD.5x.5NM
SOLID DUCT	SCREW	SD.5x.5
	ADH. TAPE	SDA5x.5
COVER	N/A	TC.5

HellermannTyton®

ALL PROPRIETARY RIGHTS IN THE SUBJECT MATTER SHOWN ON THIS DRAWING ARE EXCLUSIVE PROPERTY OF HELLERMANNTYTON

name	date	city, state

NOTES

REVISION	level	DATE	BY	ECN #
	03	12/16/2009	AAC	011427

DRAWING	number	SEE CHART	phase	Production
PART	name	.5X.5 DUCT WITH COVER		
	material	PVC STANDARD AND CUSTOM COLORS		

format	version	N	CAD	SW 2009	scale	1:1
computer file name	DT2010052CST_03		previous drawing number			
drawn	BRAZ	checked	KAC	approved		
date	11/20/1996	date	12/16/2009			
type	Customer	sheet		1 of 1		
number	DT2010052CST					

number	SEE CHART	phase	Production
name	.5X.5 DUCT WITH COVER		
material	PVC STANDARD AND CUSTOM COLORS		