



Chipsmall Limited consists of a professional team with an average of over 10 year of expertise in the distribution of electronic components. Based in Hongkong, we have already established firm and mutual-benefit business relationships with customers from,Europe,America and south Asia,supplying obsolete and hard-to-find components to meet their specific needs.

With the principle of “Quality Parts,Customers Priority,Honest Operation,and Considerate Service”,our business mainly focus on the distribution of electronic components. Line cards we deal with include Microchip,ALPS,ROHM,Xilinx,Pulse,ON,Everlight and Freescale. Main products comprise IC,Modules,Potentiometer,IC Socket,Relay,Connector.Our parts cover such applications as commercial,industrial, and automotives areas.

We are looking forward to setting up business relationship with you and hope to provide you with the best service and solution. Let us make a better world for our industry!



Contact us

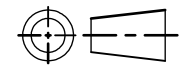
Tel: +86-755-8981 8866 Fax: +86-755-8427 6832

Email & Skype: info@chipsmall.com Web: www.chipsmall.com

Address: A1208, Overseas Decoration Building, #122 Zhenhua RD., Futian, Shenzhen, China

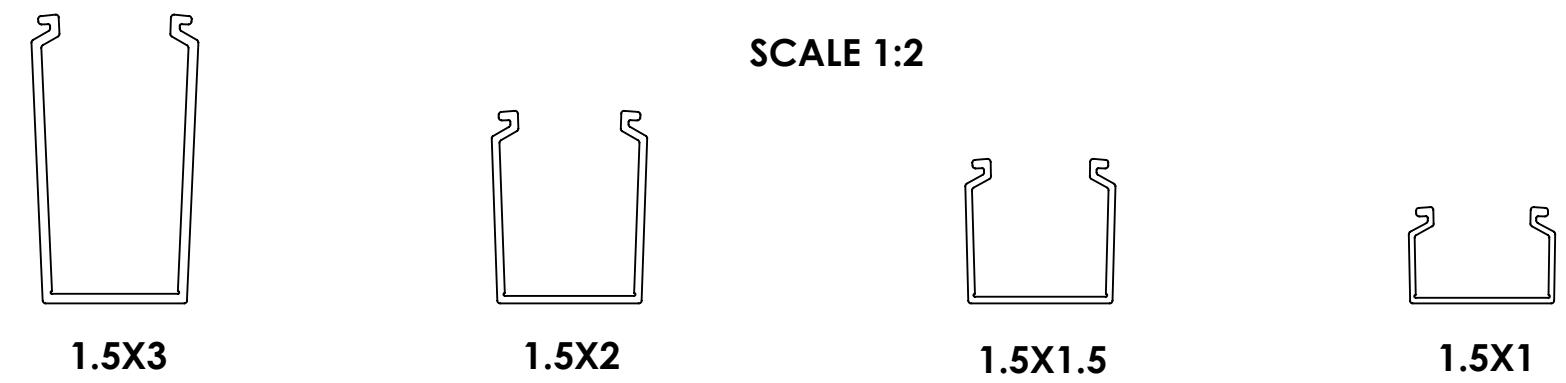
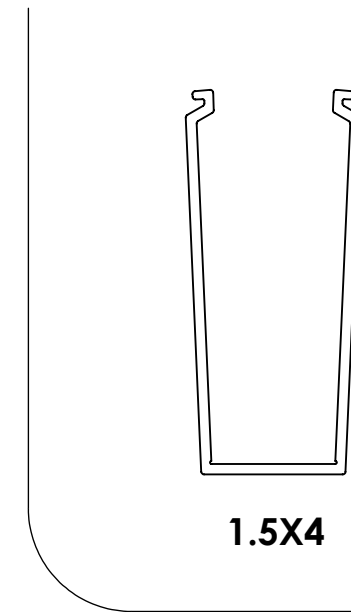
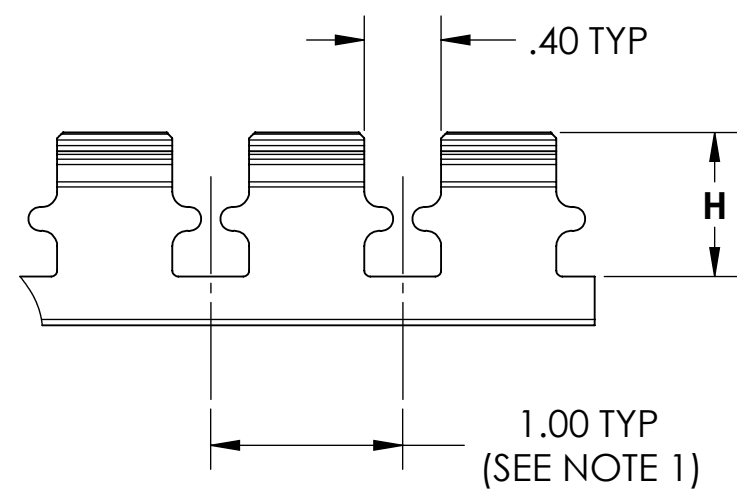


SW2010

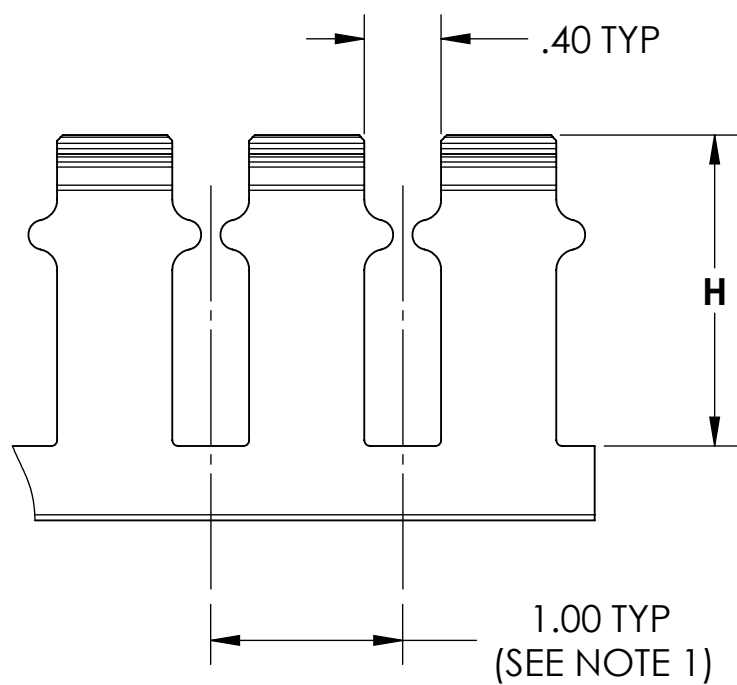


Revision level		Revision Record	Changed	Date	Approved	Date
Drawing	Part					
07	-	SEE ECN# 100016	MHT	01/05/2012	MHT	02/01/2012

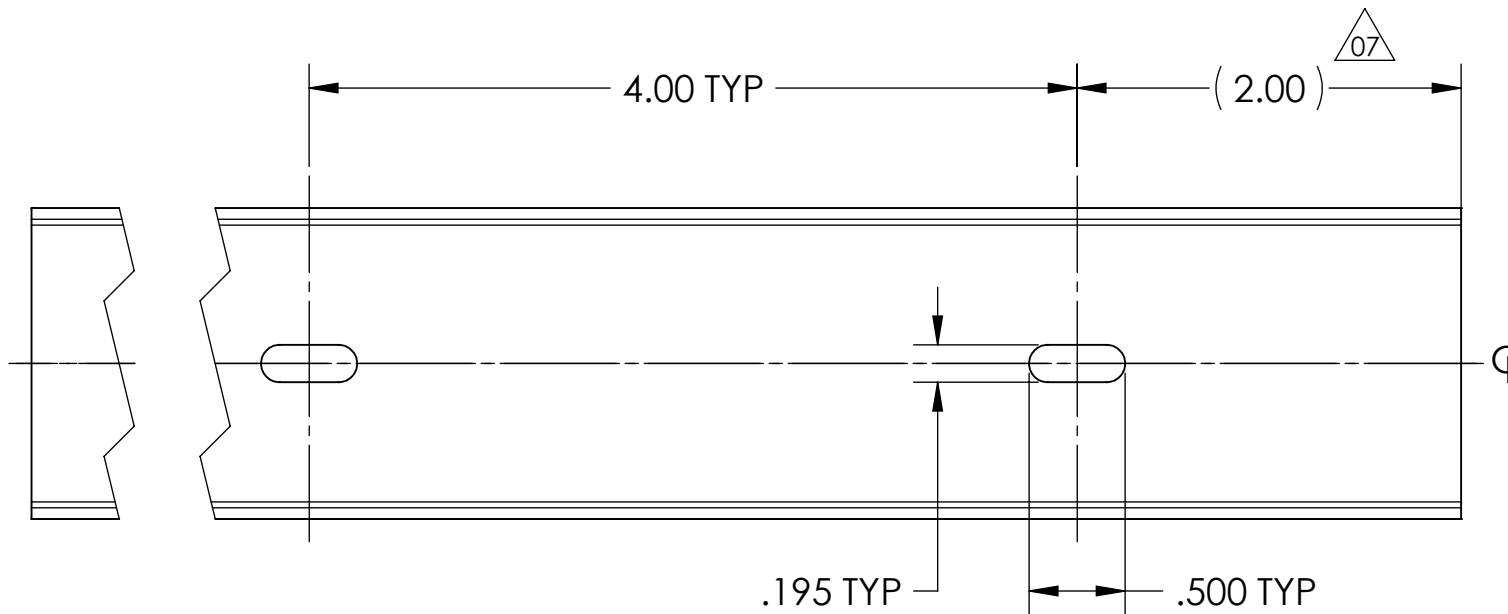
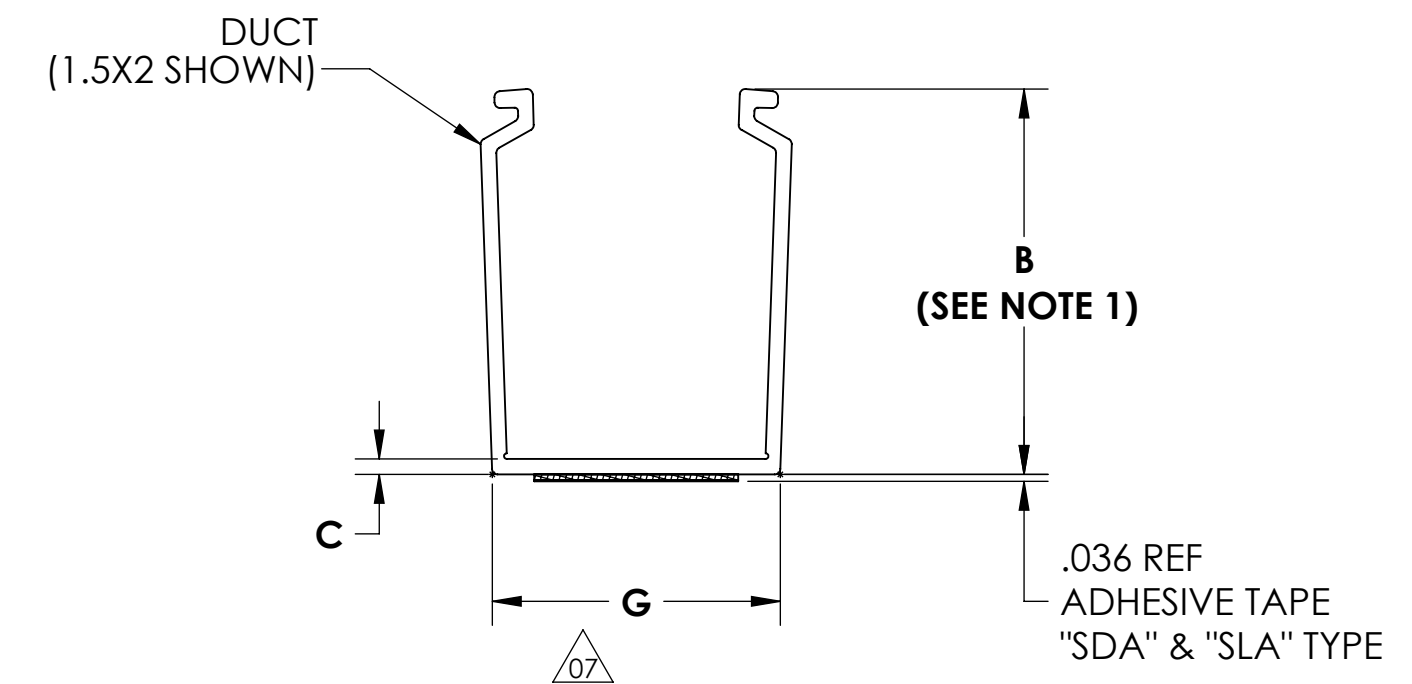
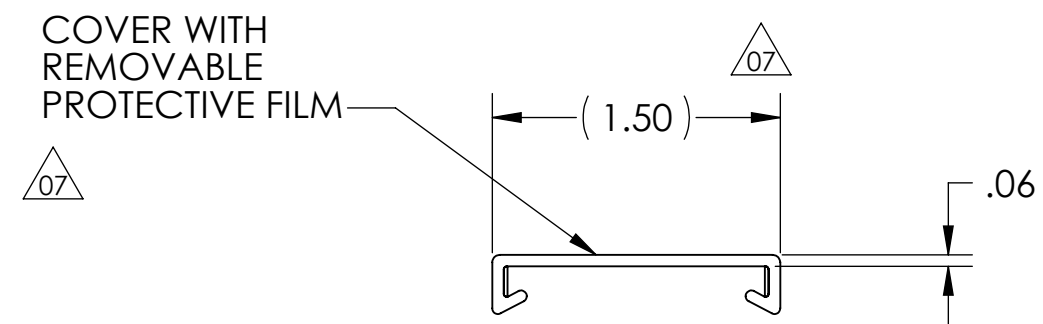
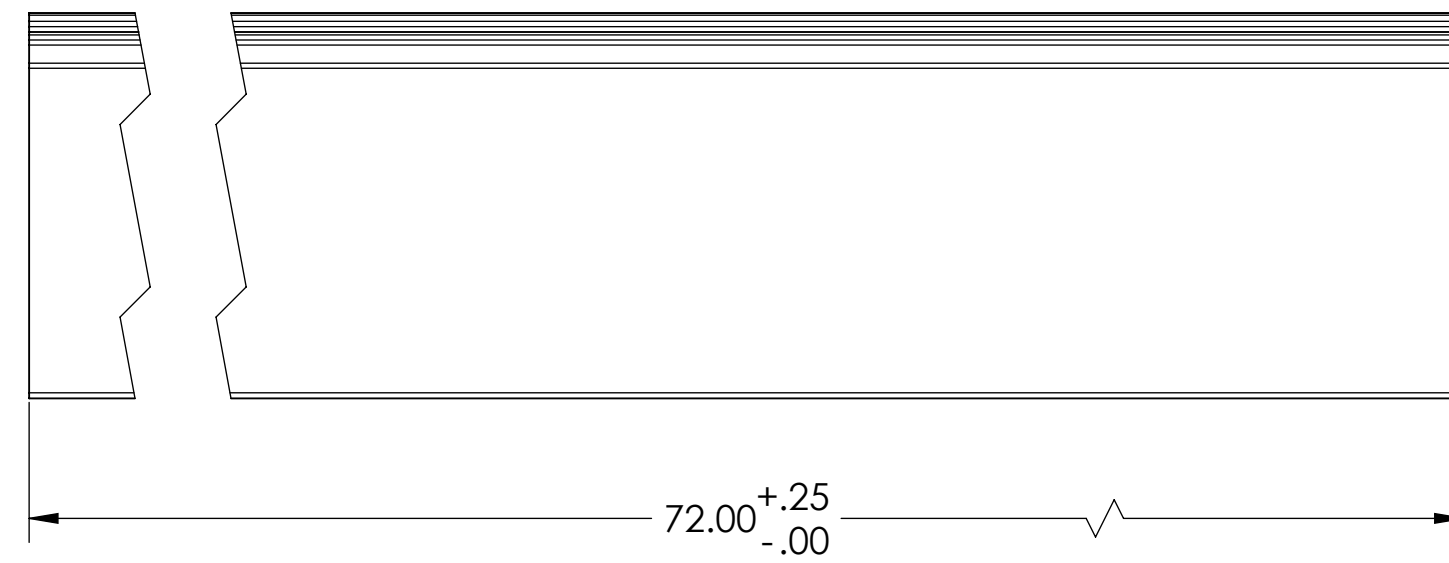
**SLOTTED WALL DUCT
TYPE "SL1.5X1"**



**SLOTTED WALL DUCT
TYPE "SL1.5X1.5" "SL1.5X2" "SL1.5X3" "SL1.5X4"**



**SOLID WALL DUCT
TYPE "SD"**



TYPE NUMBER	DESCRIPTION	MOUNTING METHOD	B (SEE NOTE 1)	C	G	H
TC1.5	COVER	-	-	-	-	-
SD1.5X1	SOLID DUCT	SCREW	1.004 +.020/-0.015	.060 ±.005	1.500 +/--.025	-
SD1.5X1.5	"	"	1.506 +.025/-0.020	.070 +.008/-0.005	1.500 +/--.025	-
SD1.5X2	"	"	2.008 +.025/-0.020	.080 ±.005	1.500 +/--.025	-
SD1.5X3	"	"	3.009 +.035/-0.020	.100 +.007/-0.011	1.500 +.029/-0.037	-
SD1.5X4	"	"	4.008 +.045/-0.020	.110 +.008/-0.015	1.500 +/--.031	-
SDA1.5X1	SOLID DUCT W/ADHES.	ADHESIVE TAPE	1.004 +.020/-0.015	.060 ±.005	1.500 +/--.025	-
SDA1.5X1.5	"	"	1.506 +.025/-0.020	.070 +.008/-0.005	1.500 +/--.025	-
SDA1.5X2	"	"	2.008 +.025/-0.020	.080 ±.005	1.500 +/--.025	-
SDA1.5X3	"	"	3.009 +.035/-0.020	.100 +.007/-0.011	1.500 +.029/-0.037	-
SDA1.5X4	"	"	4.008 +.045/-0.020	.110 +.008/-0.015	1.500 +/--.031	-
SL1.5X1	SLOTTED DUCT	SCREW	1.004 +.020/-0.015	.060 ±.005	1.500 +/--.025	.750 ±.010
SL1.5X1.5	"	"	1.506 +.025/-0.020	.070 +.008/-0.005	1.500 +/--.025	1.190 ±.015
SL1.5X2	"	"	2.008 +.025/-0.020	.080 ±.005	1.500 +/--.025	1.620 ±.015
SL1.5X3	"	"	3.009 +.035/-0.020	.100 +.007/-0.011	1.500 +.029/-0.037	2.600 ±.015
SL1.5X4	"	"	4.008 +.045/-0.020	.110 +.008/-0.015	1.500 +/--.031	3.600 ±.015
SLA1.5X1	SLOTTED DUCT W/ADHES.	ADHESIVE TAPE	1.004 +.020/-0.015	.060 ±.005	1.500 +/--.025	.750 ±.010
SLA1.5X1.5	"	"	1.506 +.025/-0.020	.070 +.008/-0.005	1.500 +/--.025	1.190 ±.015
SLA1.5X2	"	"	2.008 +.025/-0.020	.080 ±.005	1.500 +/--.025	1.620 ±.015
SLA1.5X3	"	"	3.009 +.035/-0.020	.100 +.007/-0.011	1.500 +.029/-0.037	2.600 ±.015
SLA1.5X4	"	"	4.008 +.045/-0.020	.110 +.008/-0.015	1.500 +/--.031	3.600 ±.015

		50% WIRE FILL CAPACITY								
		WIRE O.D.					TWISTED PAIR 24 AWG UNSHIELDED			
DUCT SIZE (WxH)	DUCT AREA (Sq. In.)	12AWG	14AWG	16AWG	18AWG	22AWG	4 Pr. Cat 5e	4 Pr. Cat 6	4 Pr. Cat 6a	
		.158	.165	.139	.125	.113	.065	.217	.240	.354
1.5X1	1.205	31	28	40	49	60	182	16	13	6
1.5X1.5	1.850	47	43	61	75	92	279	25	20	9
1.5X2	2.475	63	58	82	101	123	373	33	27	13
1.5X3	3.669	94	86	121	150	183	553	50	41	19
1.5X4	4.881	125	114	161	199	243	736	66	54	25

Notes
1) BOTH SIDES ALIKE WITHIN .015



Material

PVC
AVAILABLE IN WHITE,
GRAY, BLACK, OR BLUE
CONSULT FACTORY FOR
OTHER COLORS
RoHS COMPLIANT

Units

inches
Dimension without tolerances
details to:
.xxxx = ±.0005
.xxx = ±.005
.xx = ±.01
.x = ±.03
None = ±.06
∠ = ±0.5°

The copyright of this drawing is reserved by HellermannTyton. It is issued on condition that it is not reproduced, copied, or disclosed to a third party, either wholly or in part, without the consent of HellermannTyton.

Drawn

KAC

06/17/2009

Article/Type-No

SEE CHART

Scale

1:1

Approved

HellermannTyton
North America
Email: corp@htamericas.com
Web: www.hellermann.tyton.com

Title

1.5" WIDE SD, SDA, SL, SLA DUCT WITH COVER

Project Number

PRP07-021

Drawing-No

DT07-021-152CST

Pre-Production : Phase

Format

C

Sheet

1/1