



Chipsmall Limited consists of a professional team with an average of over 10 year of expertise in the distribution of electronic components. Based in Hongkong, we have already established firm and mutual-benefit business relationships with customers from,Europe,America and south Asia,supplying obsolete and hard-to-find components to meet their specific needs.

With the principle of “Quality Parts,Customers Priority,Honest Operation,and Considerate Service”,our business mainly focus on the distribution of electronic components. Line cards we deal with include Microchip,ALPS,ROHM,Xilinx,Pulse,ON,Everlight and Freescale. Main products comprise IC,Modules,Potentiometer,IC Socket,Relay,Connector.Our parts cover such applications as commercial,industrial, and automotives areas.

We are looking forward to setting up business relationship with you and hope to provide you with the best service and solution. Let us make a better world for our industry!



## Contact us

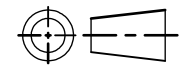
Tel: +86-755-8981 8866 Fax: +86-755-8427 6832

Email & Skype: info@chipsmall.com Web: www.chipsmall.com

Address: A1208, Overseas Decoration Building, #122 Zhenhua RD., Futian, Shenzhen, China

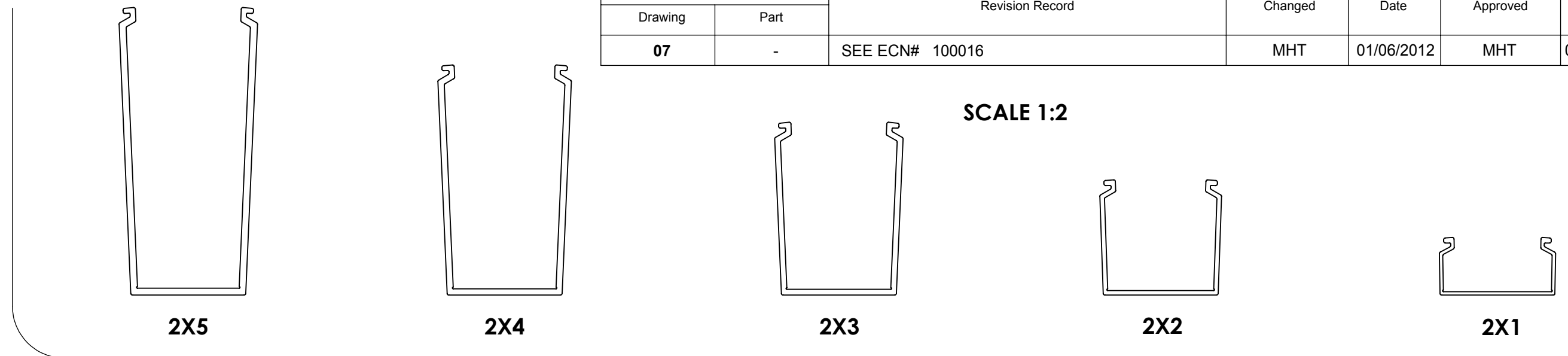
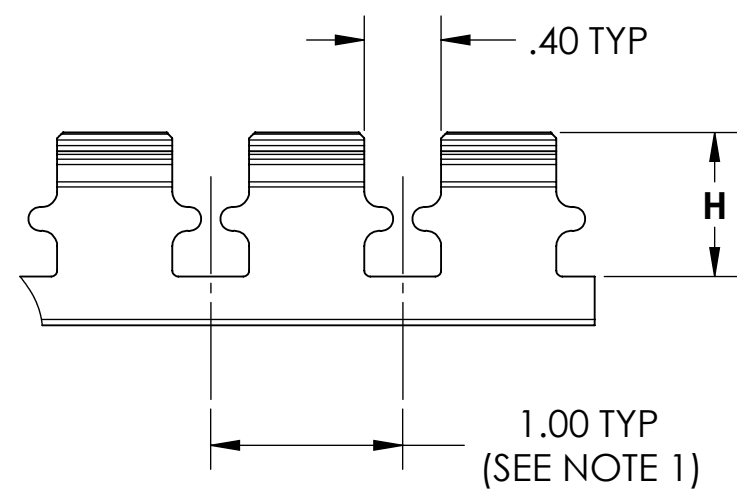


SW2010



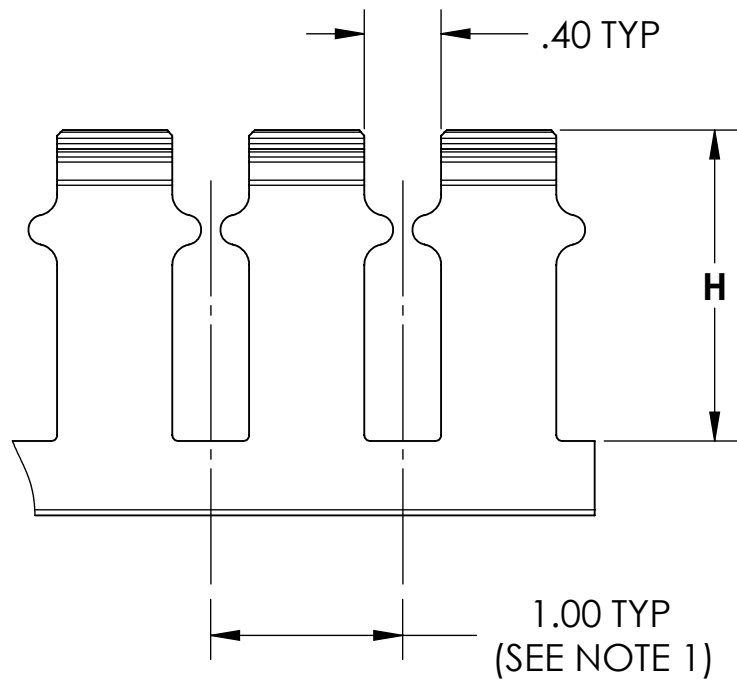
Revision level		Revision Record	Changed	Date	Approved	Date
Drawing	Part					
07	-	SEE ECN# 100016	MHT	01/06/2012	MHT	02/06/2012

**SLOTTED WALL DUCT  
TYPE "SL2X1"**

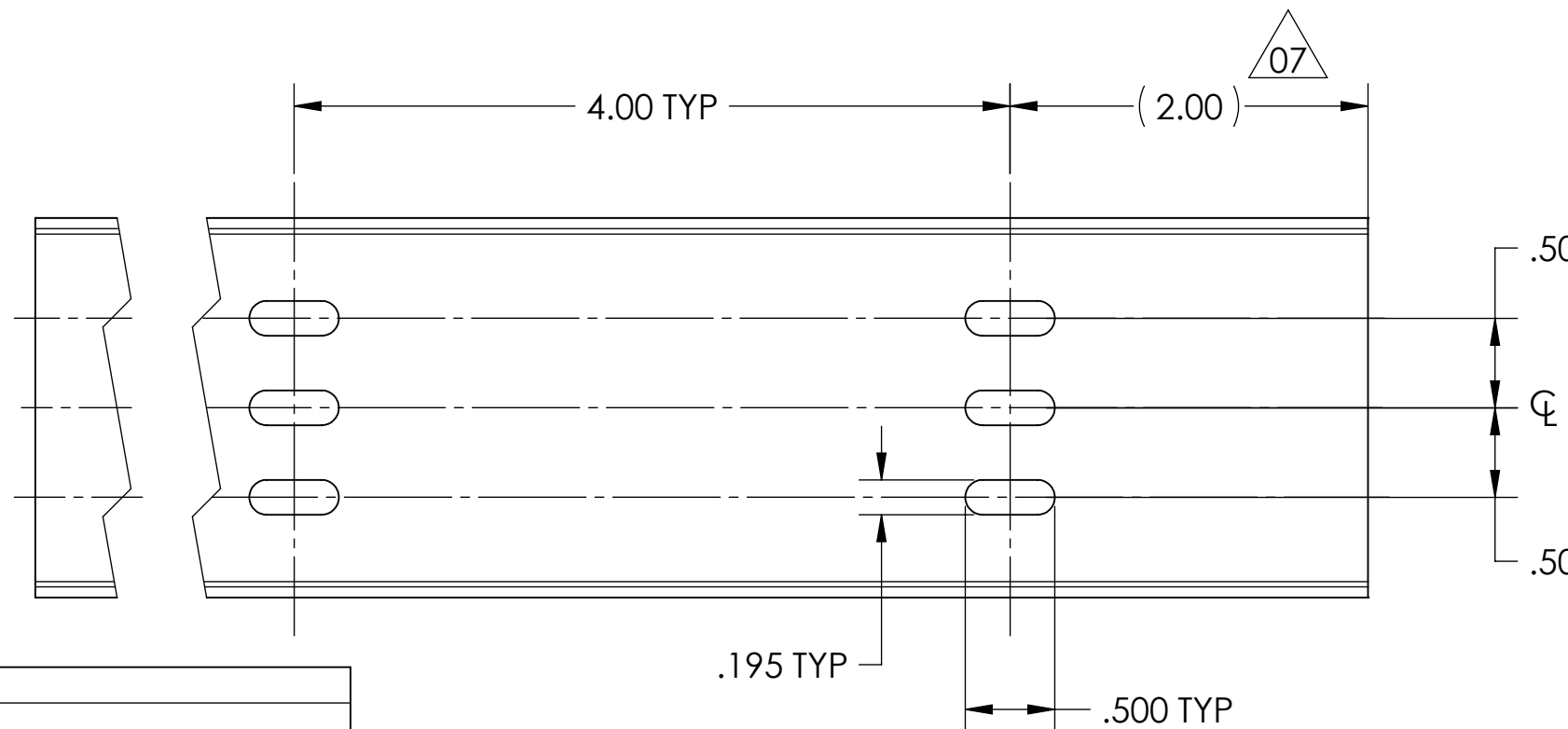
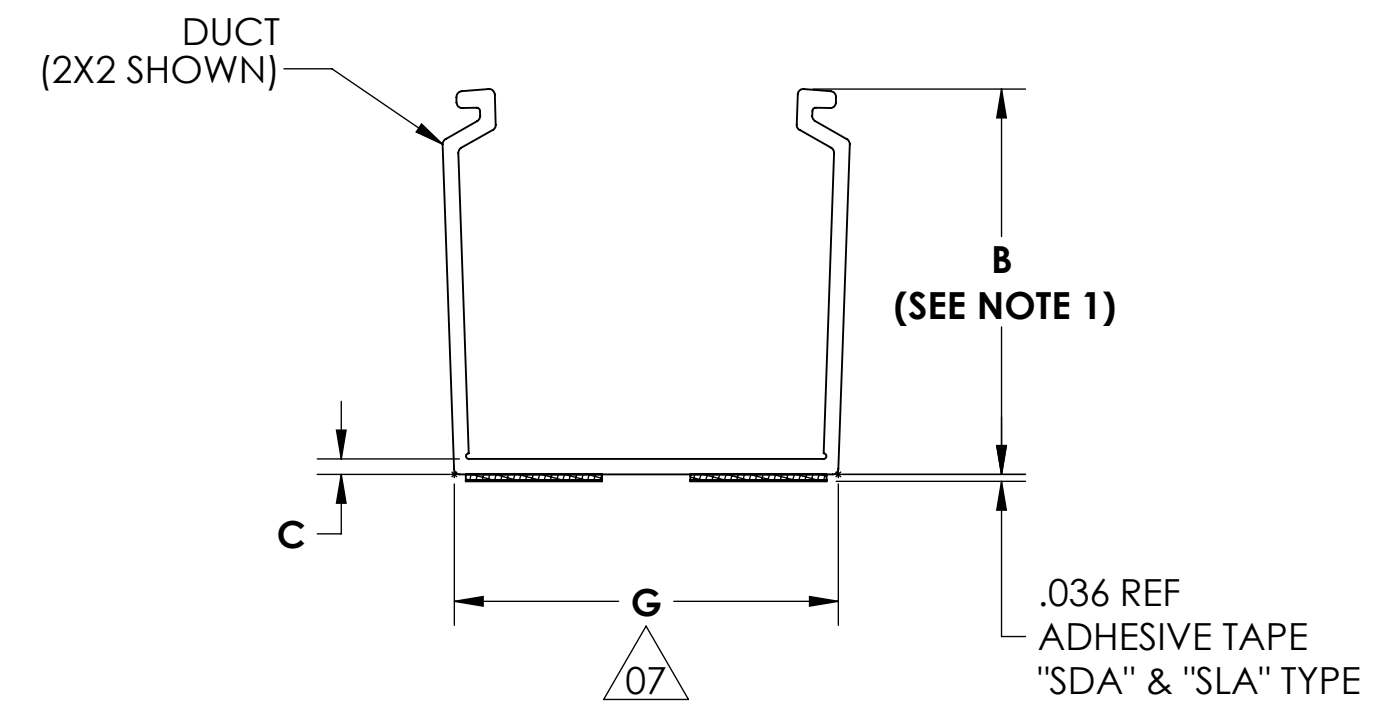
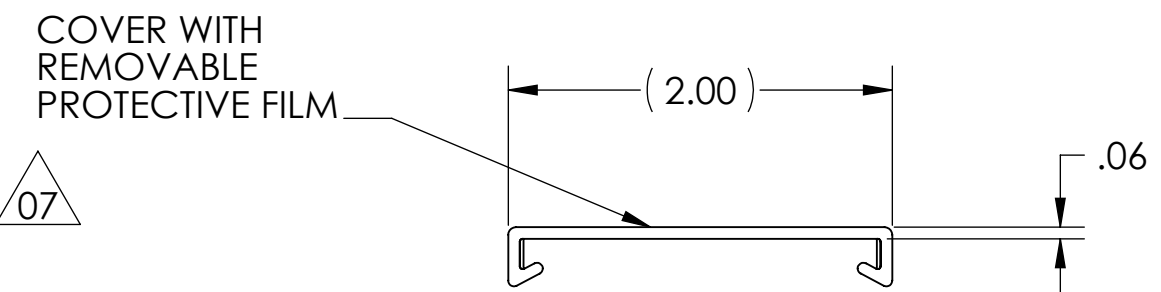
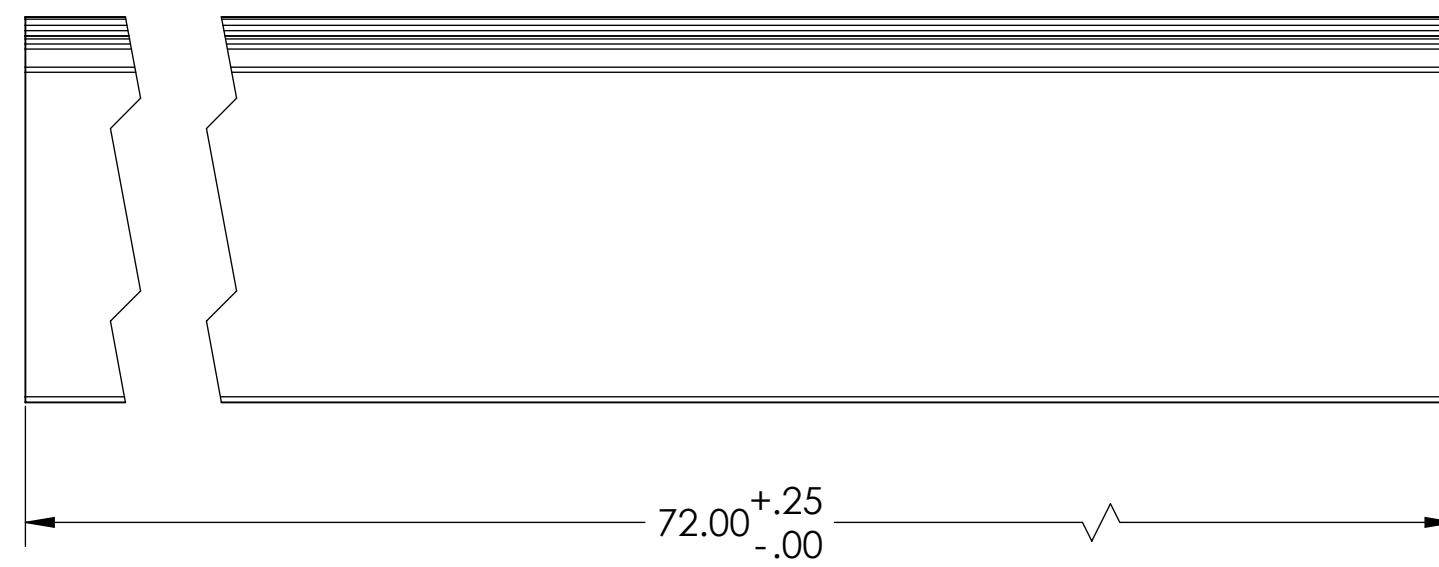


SCALE 1:2

**SLOTTED WALL DUCT  
TYPE "SL2X2" "SL2X3" "SL2X4"**



**SOLID WALL DUCT  
TYPE "SD"**



TYPE NUMBER	DESCRIPTION	MOUNTING METHOD	B (SEE NOTE 1)	C	G	H
TC2	COVER	-	-	-	-	-
SD2X1	SOLID DUCT	SCREW	1.004 +.020/-0.015	.060 ±.005	2.000 +/--.025	-
SD2X2	"	"	2.008 +.025/-0.020	.080 ±.005	2.000 +/--.025	-
SD2X3	"	"	3.009 +.035/-0.020	.100 ±.007	2.000 +/--.029	-
SD2X4	"	"	4.008 +.045/-0.020	.110 +.008/-0.010	2.000 +/--.031	-
SD2X5	"	"	5.007 +.055/-0.020	.120 +.009/-0.015	2.000 +/--.033	-
SDA2X1	SOLID DUCT W/ADHES.	ADHESIVE TAPE	1.004 +.020/-0.015	.060 ±.005	2.000 +/--.025	-
SDA2X2	"	"	2.008 +.025/-0.020	.080 ±.005	2.000 +/--.025	-
SDA2X3	"	"	3.009 +.035/-0.020	.100 ±.007	2.000 +/--.029	-
SDA2X4	"	"	4.008 +.045/-0.020	.110 +.008/-0.010	2.000 +/--.031	-
SDA2X5	"	"	5.007 +.055/-0.020	.120 +.009/-0.015	2.000 +/--.033	-
SL2X1	SLOTTED DUCT	SCREW	1.004 +.020/-0.015	.060 ±.005	2.000 +/--.025	.750 ±.010
SL2X2	"	"	2.008 +.025/-0.020	.080 ±.005	2.000 +/--.025	1.620 ±.015
SL2X3	"	"	3.009 +.035/-0.020	.100 ±.007	2.000 +/--.029	2.600 ±.015
SL2X4	"	"	4.008 +.045/-0.020	.110 +.008/-0.010	2.000 +/--.031	3.600 ±.015
SL2X5	"	"	5.007 +.055/-0.020	.120 +.009/-0.015	2.000 +/--.033	4.600 ±.015
SLA2X1	SLOTTED DUCT W/ADHES.	ADHESIVE TAPE	1.004 +.020/-0.015	.060 ±.005	2.000 +/--.025	.750 ±.010
SLA2X2	"	"	2.008 +.025/-0.020	.080 ±.005	2.000 +/--.025	1.620 ±.015
SLA2X3	"	"	3.009 +.035/-0.020	.100 ±.007	2.000 +/--.029	2.600 ±.015
SLA2X4	"	"	4.008 +.045/-0.020	.110 +.008/-0.010	2.000 +/--.031	3.600 ±.015
SLA2X5	"	"	5.007 +.055/-0.020	.120 +.009/-0.015	2.000 +/--.033	4.600 ±.015

50% WIRE FILL CAPACITY

DUCT SIZE (WxH)	DUCT AREA (Sq. In.)	WIRE O.D.													
		12AWG					14AWG				16AWG				
		12AWG	14AWG	16AWG	18AWG	22AWG	TWISTED PAIR 24 AWG UNSHIELDED								
						4 Pr. Cat 5e	4 Pr. Cat 6	4 Pr. Cat 6a							
2X1	1.678	.158	.165	.139	.125	.113	.065	.217	.240	.354	23	19	9		
2X2	3.438	88	80	113	140	171	518	47	38	17	47	38	17		
2X3	5.122	131	120	169	209	255	772	69	57	26	69	57	26		
2X4	6.829	174	160	225	278	341	1030	92	76	35	92	76	35		
2X5	8.488	217	199	280	346	423	1280	115	94	43	115	94	43		

Notes  
1) BOTH SIDES ALIKE WITHIN .015



Material

PVC  
AVAILABLE IN WHITE,  
GRAY, BLACK, OR BLUE  
CONSULT FACTORY FOR  
OTHER COLORS  
RoHS COMPLIANT

Units

inches  
Dimension without tolerances  
details to:  
.xxxx = ±.0005  
.xxx = ±.005  
.xx = ±.01  
.x = ±.03  
None = ±.06  
∠ = ±0.5°

The copyright of this drawing is reserved by HellermannTyton. It is issued on condition that it is not reproduced, copied, or disclosed to a third party, either wholly or in part, without the consent of HellermannTyton.

Drawn	KAC	06/18/2009	Article/Type-No	SEE CHART	Scale	1:1
Approved			Title	2" WIDE SD, SDA, SL, SLA DUCT WITH COVER	Project Number	PRP07-021
HellermannTyton			Drawing-No	DT07-021-202CST	Format	C
North America Email: corp@htamericas.com Web: www.hellermann.tyton.com			Pre-Production : Phase		Sheet	1/1