



Chipsmall Limited consists of a professional team with an average of over 10 year of expertise in the distribution of electronic components. Based in Hongkong, we have already established firm and mutual-benefit business relationships with customers from,Europe,America and south Asia,supplying obsolete and hard-to-find components to meet their specific needs.

With the principle of “Quality Parts,Customers Priority,Honest Operation,and Considerate Service”,our business mainly focus on the distribution of electronic components. Line cards we deal with include Microchip,ALPS,ROHM,Xilinx,Pulse,ON,Everlight and Freescale. Main products comprise IC,Modules,Potentiometer,IC Socket,Relay,Connector.Our parts cover such applications as commercial,industrial, and automotives areas.

We are looking forward to setting up business relationship with you and hope to provide you with the best service and solution. Let us make a better world for our industry!



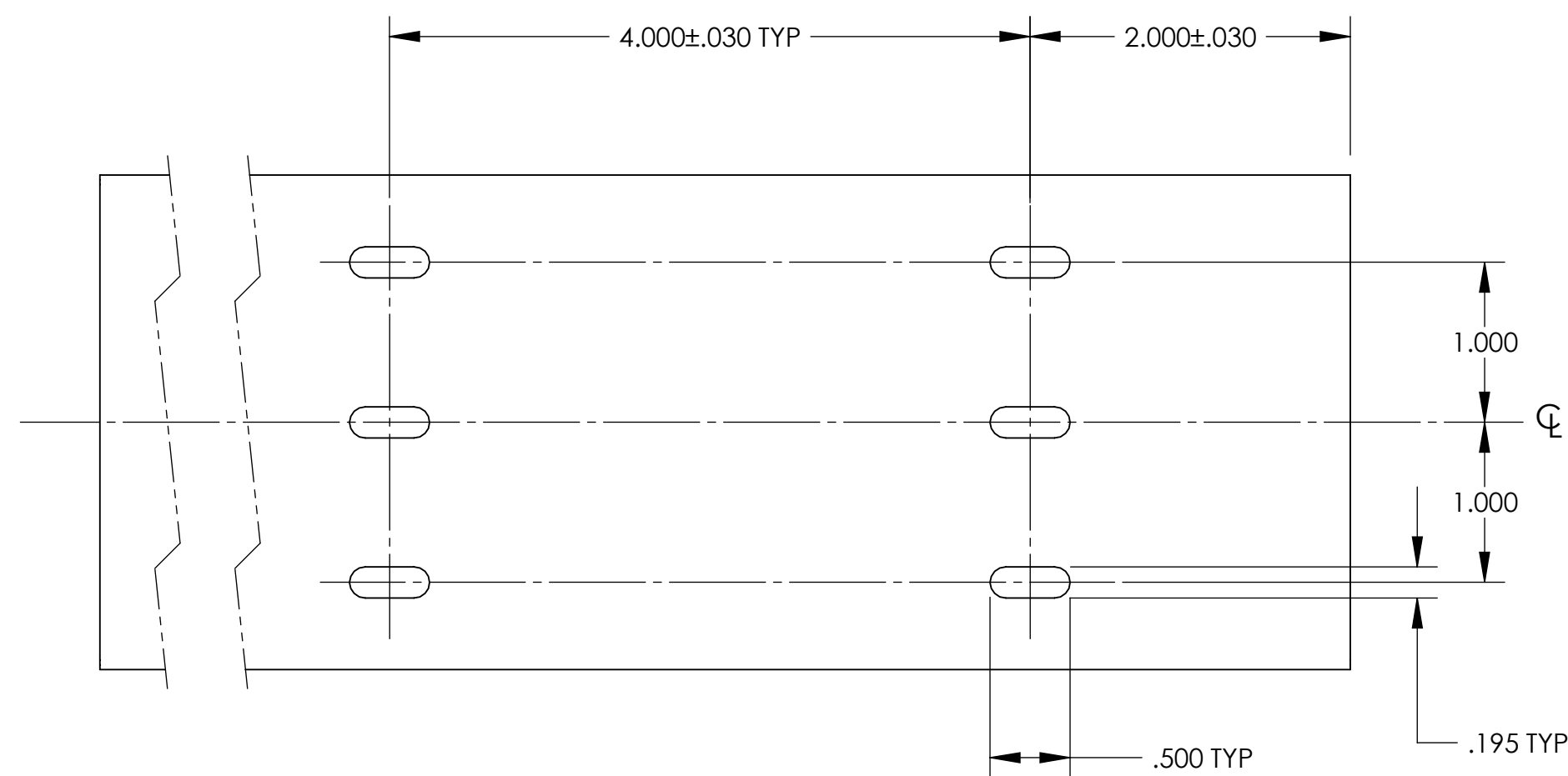
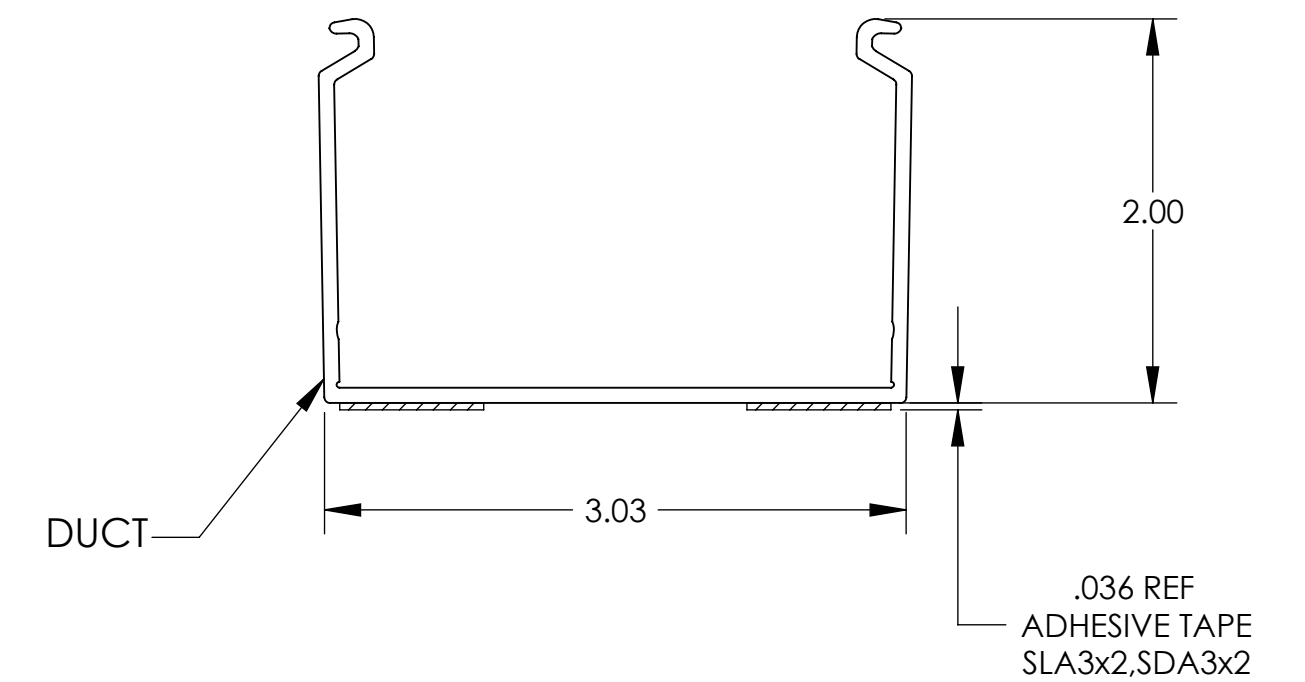
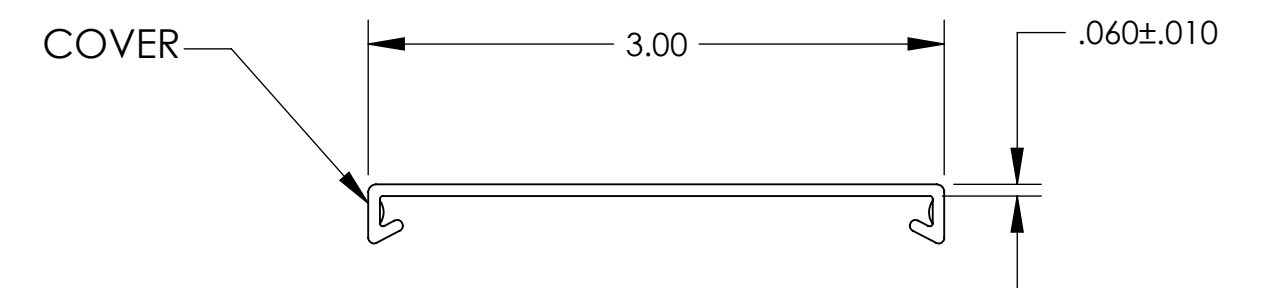
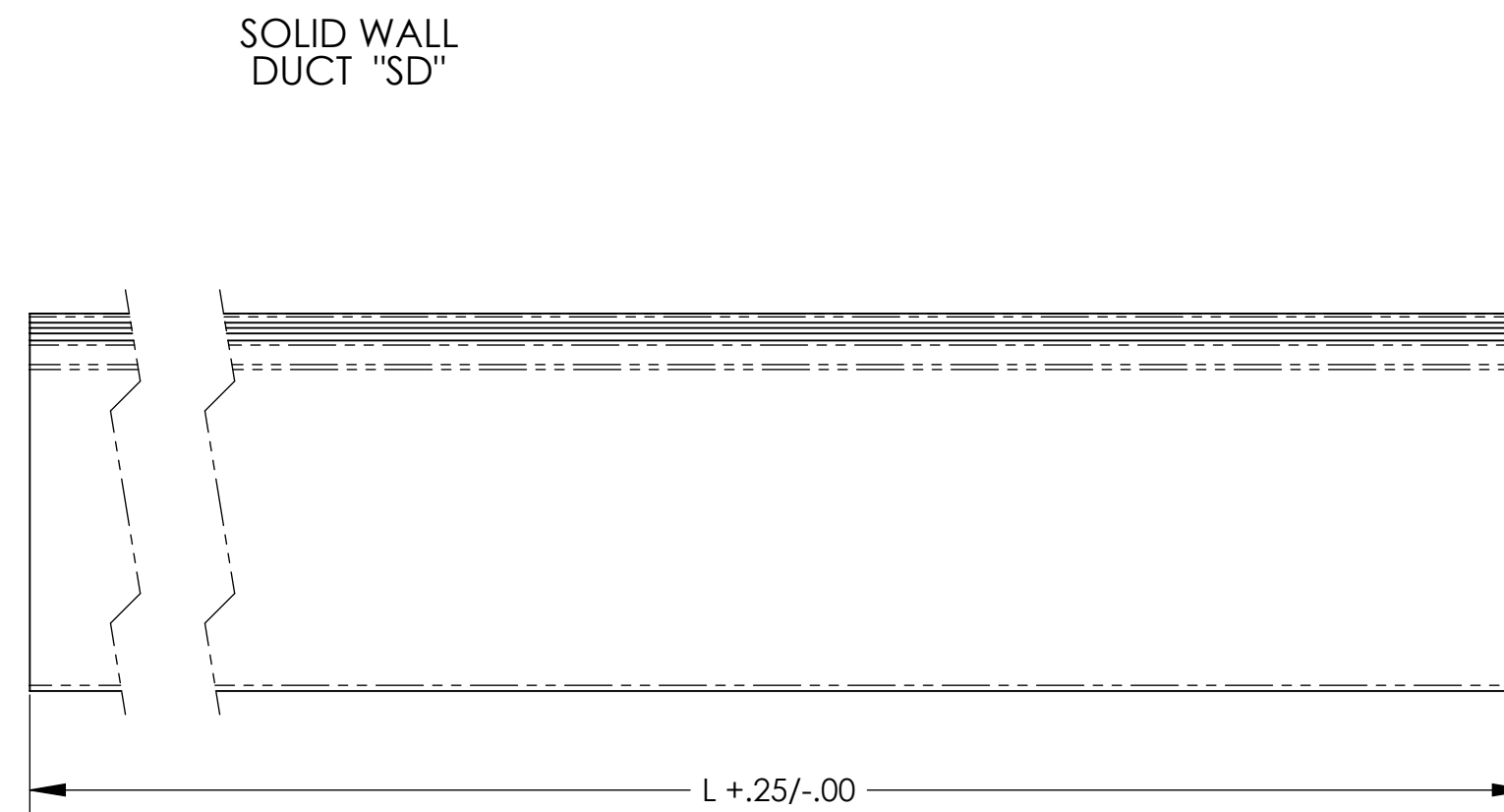
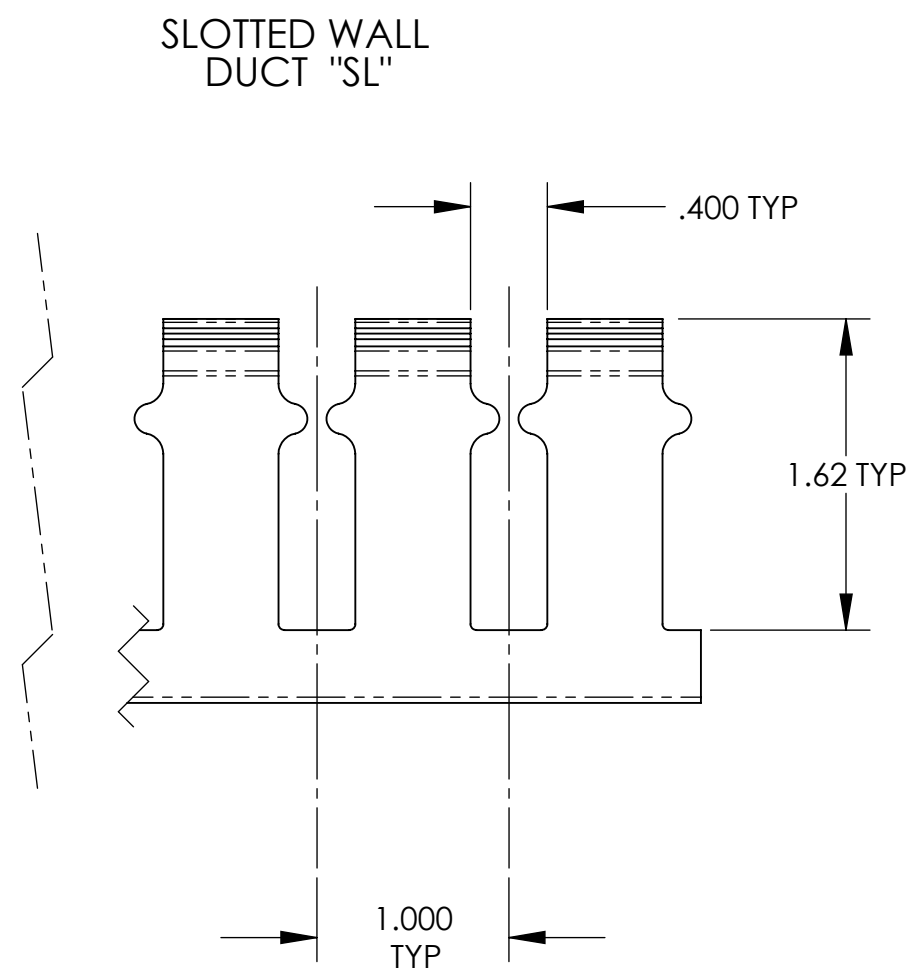
Contact us

Tel: +86-755-8981 8866 Fax: +86-755-8427 6832

Email & Skype: info@chipsmall.com Web: www.chipsmall.com

Address: A1208, Overseas Decoration Building, #122 Zhenhua RD., Futian, Shenzhen, China





DESCRIPTION	MOUNTING METHOD	TYTON PART No.
SLOTTED DUCT	SCREW	SL3x2
	ADH. TAPE	SLA3x2
SOLID DUCT	SCREW	SD3x2
	ADH. TAPE	SDA3x2
COVER	N/A	TC3

HellermannTyton.

ALL PROPRIETARY RIGHTS IN THE SUBJECT MATTER SHOWN ON THIS DRAWING ARE EXCLUSIVE PROPERTY OF HELLERMANN TYTON

name	date	city, state

NOTES

1. INSIDE DUCT AREA WITH COVER ON = 5.40IN²

REVISIONS

level	02
by	PLN
date	04/01/03
ECN #	003744
part level	A

TOLERANCES

.xxxx = ±.0005
 .xxx = ±.005
 .xx = ±.01
 .x = ±.03
 < = ±0.5°
 unless otherwise specified

units inches

PART

number SEE CHART phase PRODUCTION

name 3x2 DUCT WITH COVER

material PVC STANDARD AND CUSTOM COLORS

DRAWING

format version N	C	CAD	SW	scale	1:1
computer file number	DT2010307CST_02	previous number			
drawn	T.G.V.	checked	MEF	approved	
date	11/17/97	checked	04-09-03	approved	
type	CUSTOMER	sheet	1 of 1		
number	DT2010307CST				