



Chipsmall Limited consists of a professional team with an average of over 10 year of expertise in the distribution of electronic components. Based in Hongkong, we have already established firm and mutual-benefit business relationships with customers from,Europe,America and south Asia,supplying obsolete and hard-to-find components to meet their specific needs.

With the principle of “Quality Parts,Customers Priority,Honest Operation,and Considerate Service”,our business mainly focus on the distribution of electronic components. Line cards we deal with include Microchip,ALPS,ROHM,Xilinx,Pulse,ON,Everlight and Freescale. Main products comprise IC,Modules,Potentiometer,IC Socket,Relay,Connector.Our parts cover such applications as commercial,industrial, and automotives areas.

We are looking forward to setting up business relationship with you and hope to provide you with the best service and solution. Let us make a better world for our industry!



Contact us

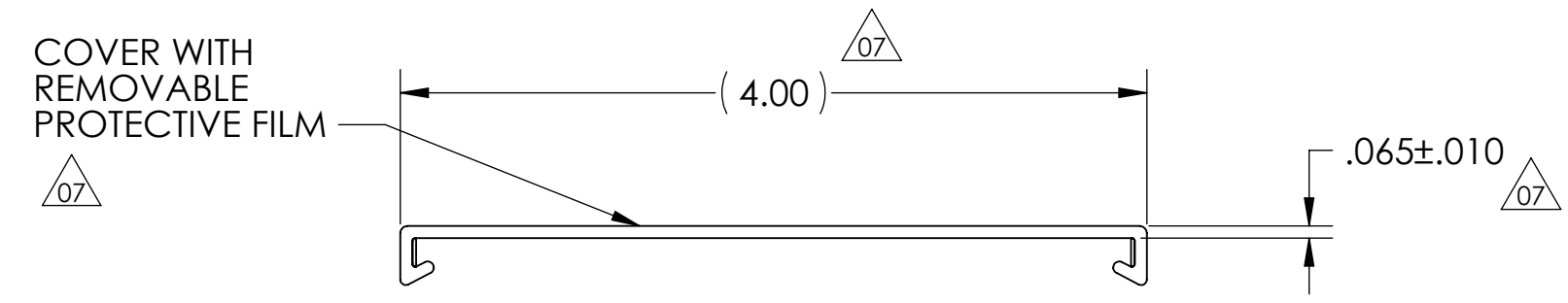
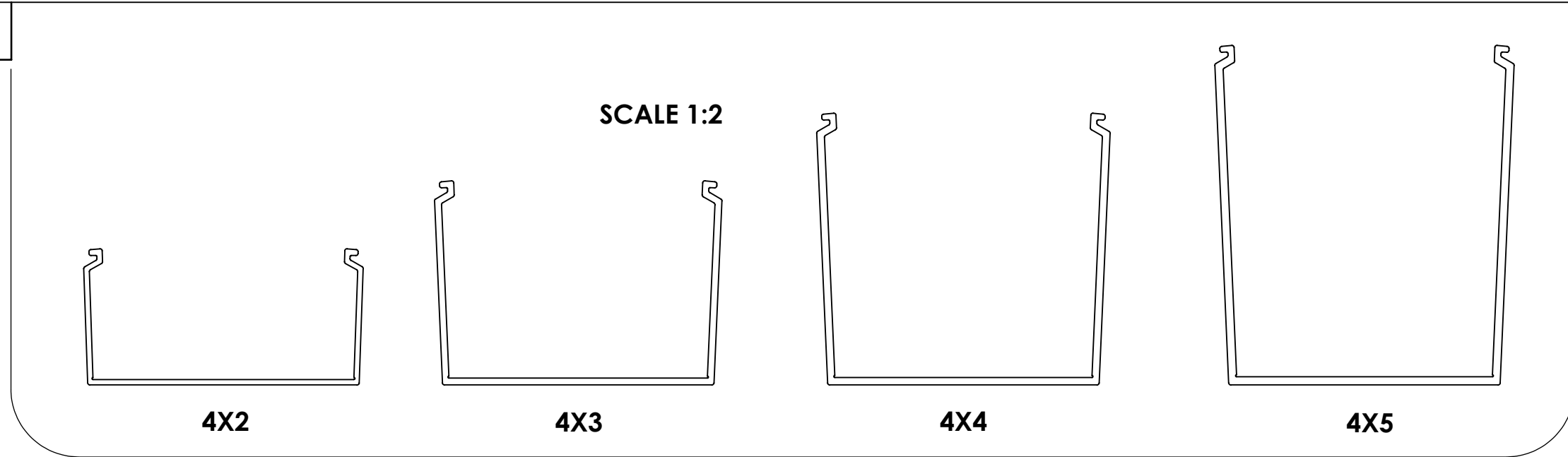
Tel: +86-755-8981 8866 Fax: +86-755-8427 6832

Email & Skype: info@chipsmall.com Web: www.chipsmall.com

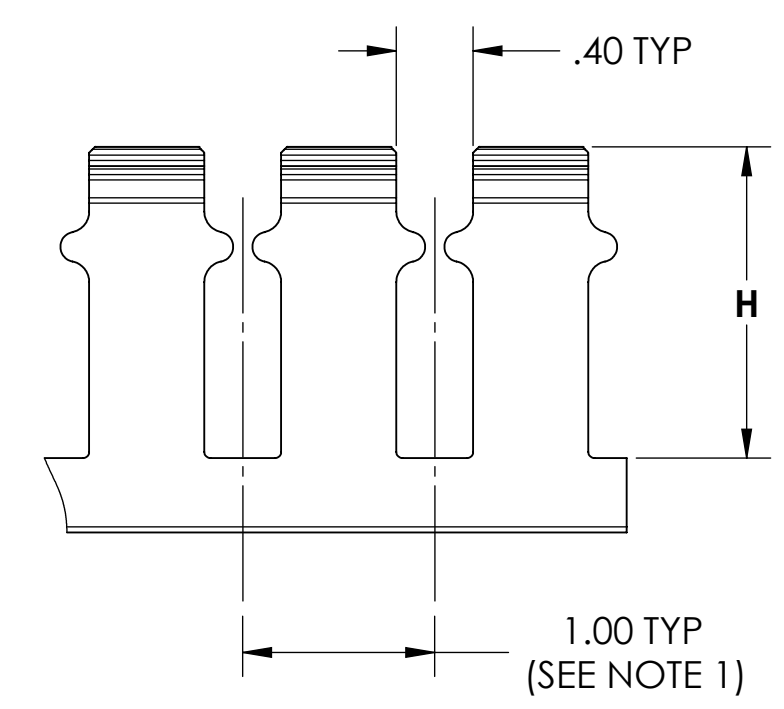
Address: A1208, Overseas Decoration Building, #122 Zhenhua RD., Futian, Shenzhen, China



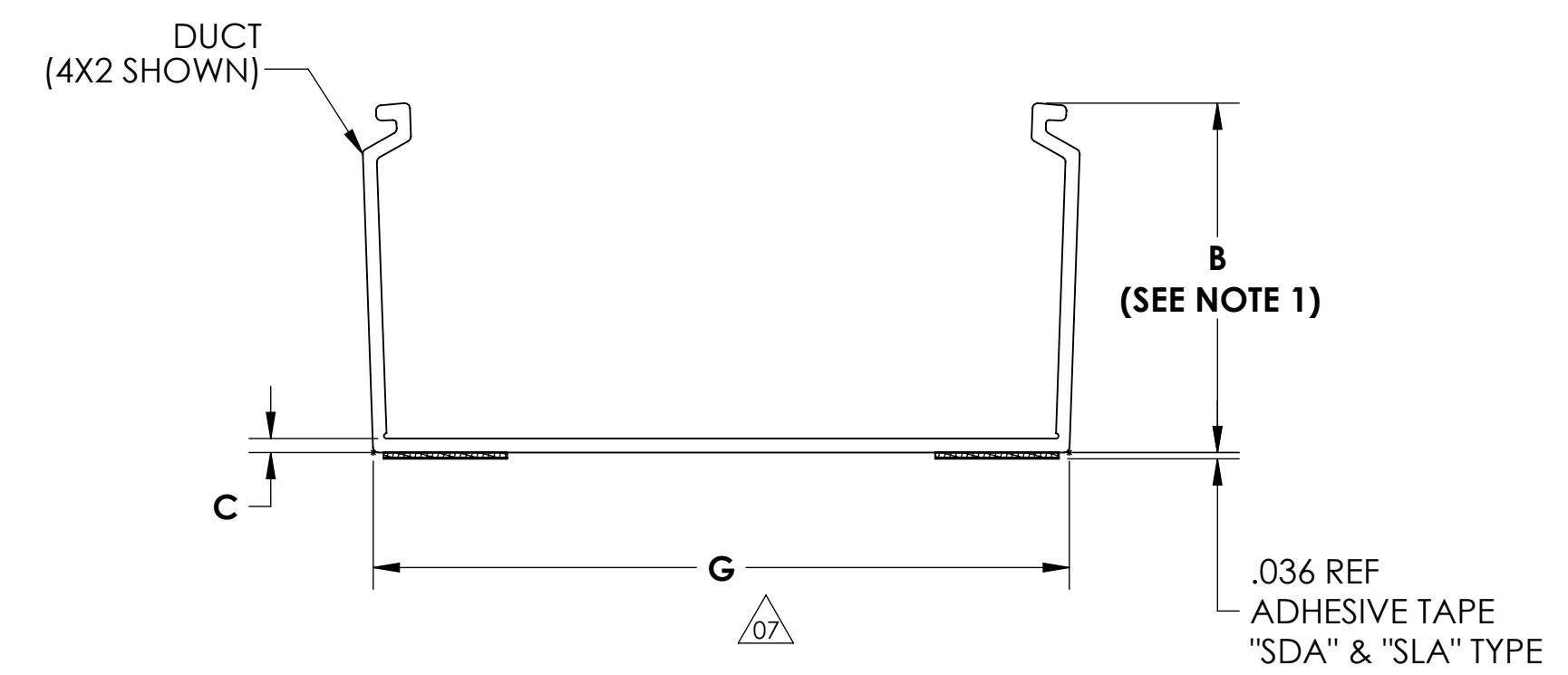
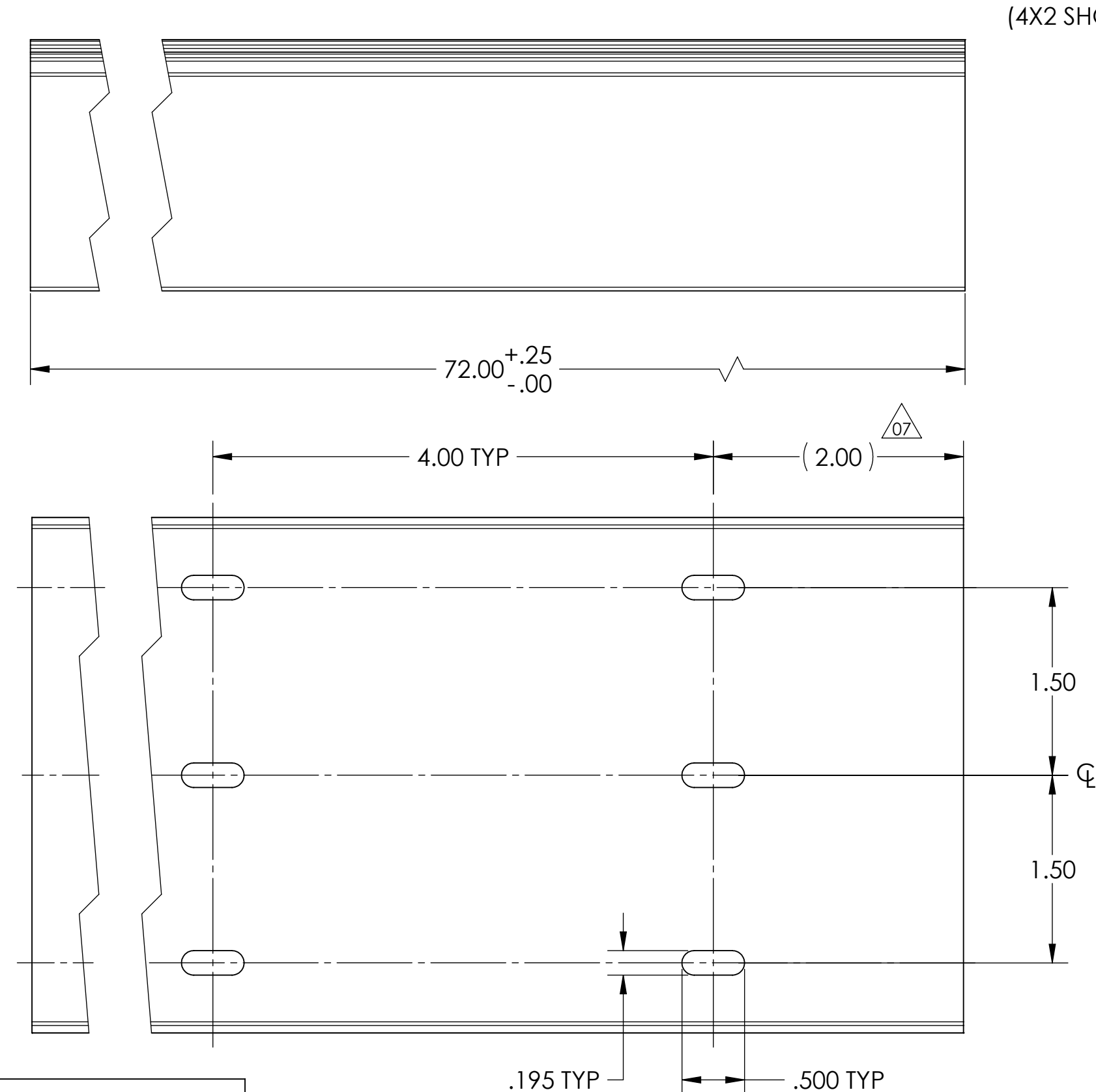
Revision level		Revision Record	Changed	Date	Approved	Date
Drawing	Part					
07	-	SEE ECN# 100016	MHT	01/09/2012	MHT	02/06/2012



SLOTTED WALL DUCT
TYPE "SL4X2" "SL4X3" "SL4X4" "SL4X5"



SOLID WALL DUCT
TYPE "SD"



50% WIRE FILL CAPACITY
WIRE O.D.

DUCT SIZE (WxH)	DUCT AREA (Sq. In.)	12AWG					14AWG					16AWG					18AWG					22AWG					TWISTED PAIR 24 AWG UNSHIELDED													
4X2	7.288	.158	.165	.139	.125	.113	.065	.217	.240	.354	.158	.165	.139	.125	.113	.065	.217	.240	.354	.158	.165	.139	.125	.113	.065	.217	.240	.354	.158	.165	.139	.125	.113	.065	.217	.240	.354	99	81	37
4X3	10.932	.158	.165	.139	.125	.113	.065	.217	.240	.354	.158	.165	.139	.125	.113	.065	.217	.240	.354	.158	.165	.139	.125	.113	.065	.217	.240	.354	.158	.165	.139	.125	.113	.065	.217	.240	.354	148	121	56
4X4	14.619	.158	.165	.139	.125	.113	.065	.217	.240	.354	.158	.165	.139	.125	.113	.065	.217	.240	.354	.158	.165	.139	.125	.113	.065	.217	.240	.354	.158	.165	.139	.125	.113	.065	.217	.240	.354	198	162	74
4X5	18.266	.158	.165	.139	.125	.113	.065	.217	.240	.354	.158	.165	.139	.125	.113	.065	.217	.240	.354	.158	.165	.139	.125	.113	.065	.217	.240	.354	.158	.165	.139	.125	.113	.065	.217	.240	.354	247	202	93

TYPE NUMBER	DESCRIPTION	MOUNTING METHOD	B (SEE NOTE 1)	C	G	H
TC4	COVER	-	-	-	-	-
SD4X2	SOLID DUCT	SCREW	2.008 +.025/-0.020	.080 +/-0.005	4.000 +/-0.025	-
SD4X3	"	"	3.009 +.035/-0.020	.100 +/-0.007	4.000 +/-0.029	-
SD4X4	"	"	4.008 +.045/-0.020	.110 +/-0.008	4.000 +/-0.031	-
SD4X5	"	"	5.007 +.055/-0.020	.120 +/-0.009	4.000 +/-0.033	-
SDA4X2	SOLID DUCT W/ADHES.	ADHESIVE TAPE	2.008 +.025/-0.020	.080 +/-0.005	4.000 +/-0.025	-
SDA4X3	"	"	3.009 +.035/-0.020	.100 +/-0.007	4.000 +/-0.029	-
SDA4X4	"	"	4.008 +.045/-0.020	.110 +/-0.008	4.000 +/-0.031	-
SDA4X5	"	"	5.007 +.055/-0.020	.120 +/-0.009	4.000 +/-0.033	-
SL4X2	SLOTTED DUCT	SCREW	2.008 +.025/-0.020	.080 +/-0.005	4.000 +/-0.025	1.620 ±.015
SL4X3	"	"	3.009 +.035/-0.020	.100 +/-0.007	4.000 +/-0.029	2.600 ±.015
SL4X4	"	"	4.008 +.045/-0.020	.110 +/-0.008	4.000 +/-0.031	3.600 ±.015
SL4X5	"	"	5.007 +.055/-0.020	.120 +/-0.009	4.000 +/-0.033	4.600 ±.015
SLA4X2	SLOTTED DUCT W/ADHES.	ADHESIVE TAPE	2.008 +.025/-0.020	.080 +/-0.005	4.000 +/-0.025	1.620 ±.015
SLA4X3	"	"	3.009 +.035/-0.020	.100 +/-0.007	4.000 +/-0.029	2.600 ±.015
SLA4X4	"	"	4.008 +.045/-0.020	.110 +/-0.008	4.000 +/-0.031	3.600 ±.015
SLA4X5	"	"	5.007 +.055/-0.020	.120 +/-0.009	4.000 +/-0.033	4.600 ±.015

Notes
1) BOTH SIDES ALIKE WITHIN .015



Material
PVC
AVAILABLE IN WHITE,
GRAY, BLACK, OR BLUE
CONSULT FACTORY FOR
OTHER COLORS
RoHS COMPLIANT

Units inches
Dimension without tolerances
details to:
.xxxx = ±.0005
.xxx = ±.005
.xx = ±.01
.x = ±.03
None = ±.06
∠ = ±0.5°

The copyright of this drawing is reserved by HellermannTyton. It is issued on condition that it is not reproduced, copied, or disclosed to a third party, either wholly or in part, without the consent of HellermannTyton.

Drawn: KAC, 06/22/2009, Article/Type-No: SEE CHART, Scale: 1:1
 Approved: _____, Title: 4" WIDE SD, SDA, SL, SLA DUCT WITH COVER, Project Number: PRP07-021
 Drawing-No: _____, Pre-Production: Phase _____, Format: C
DT07-021-402CST, Sheet: 1/1

HellermannTyton
North America
Email: corp@htamericas.com
Web: www.hellermann.tyton.com