



Chipsmall Limited consists of a professional team with an average of over 10 year of expertise in the distribution of electronic components. Based in Hongkong, we have already established firm and mutual-benefit business relationships with customers from,Europe,America and south Asia,supplying obsolete and hard-to-find components to meet their specific needs.

With the principle of “Quality Parts,Customers Priority,Honest Operation,and Considerate Service”,our business mainly focus on the distribution of electronic components. Line cards we deal with include Microchip,ALPS,ROHM,Xilinx,Pulse,ON,Everlight and Freescale. Main products comprise IC,Modules,Potentiometer,IC Socket,Relay,Connector.Our parts cover such applications as commercial,industrial, and automotives areas.

We are looking forward to setting up business relationship with you and hope to provide you with the best service and solution. Let us make a better world for our industry!



## Contact us

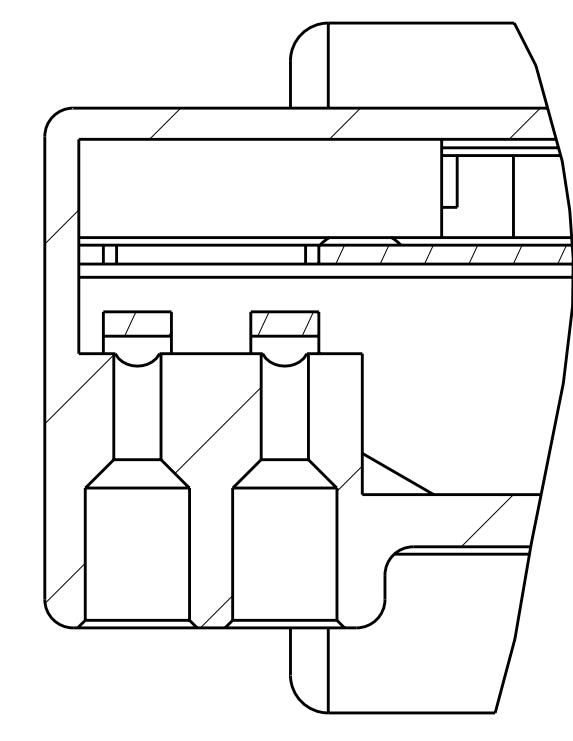
Tel: +86-755-8981 8866 Fax: +86-755-8427 6832

Email & Skype: info@chipsmall.com Web: www.chipsmall.com

Address: A1208, Overseas Decoration Building, #122 Zhenhua RD., Futian, Shenzhen, China



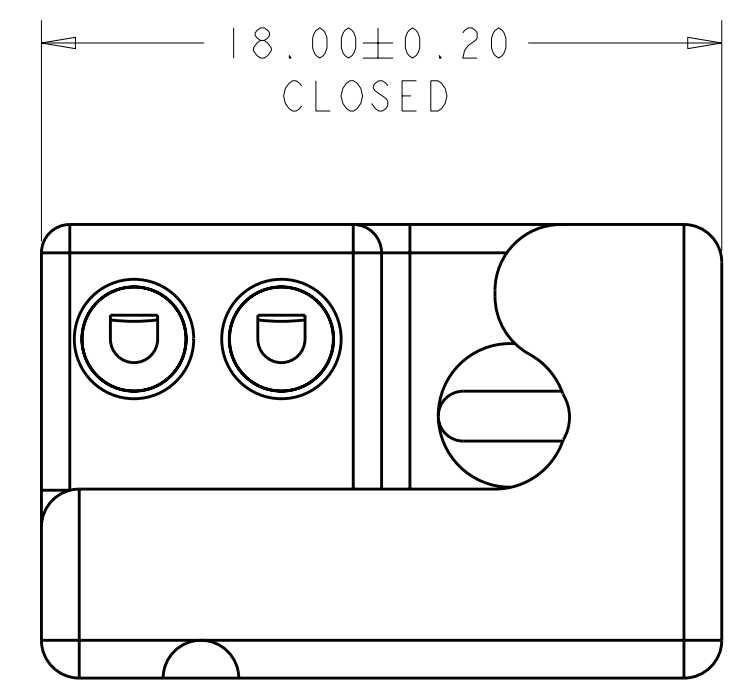
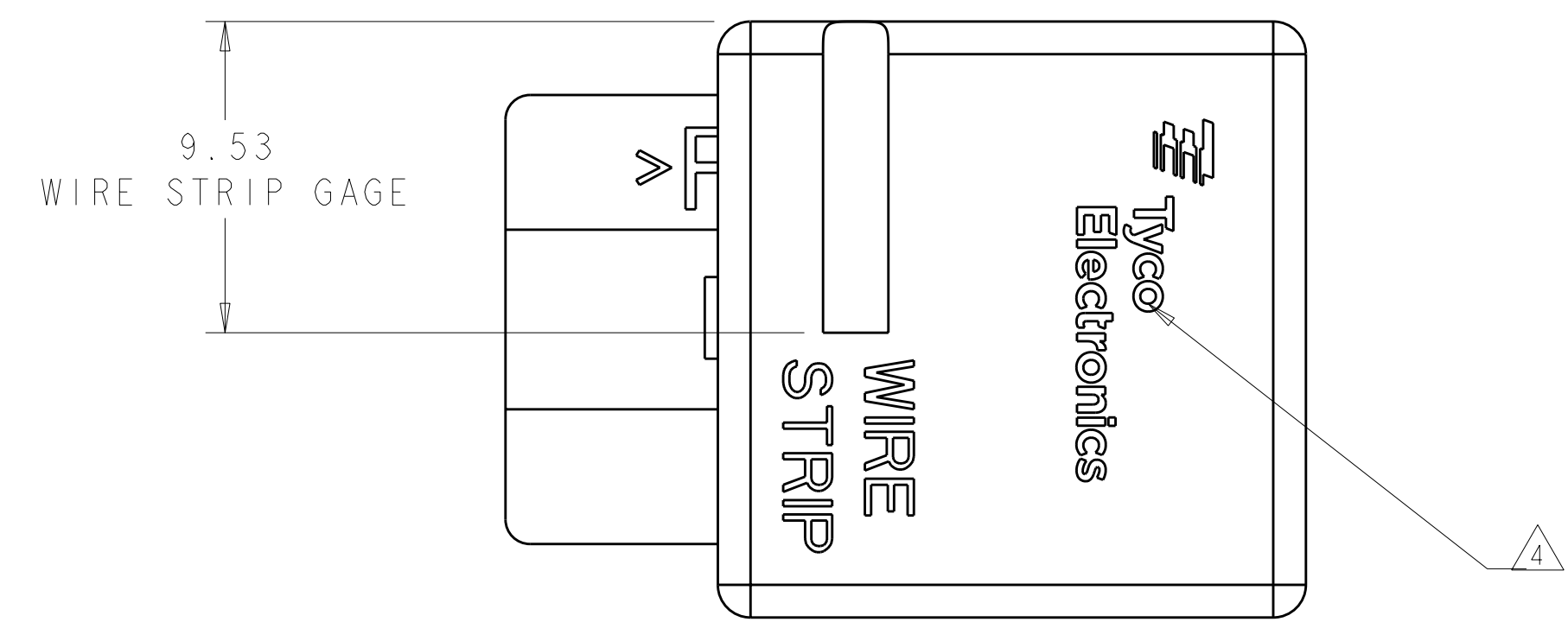
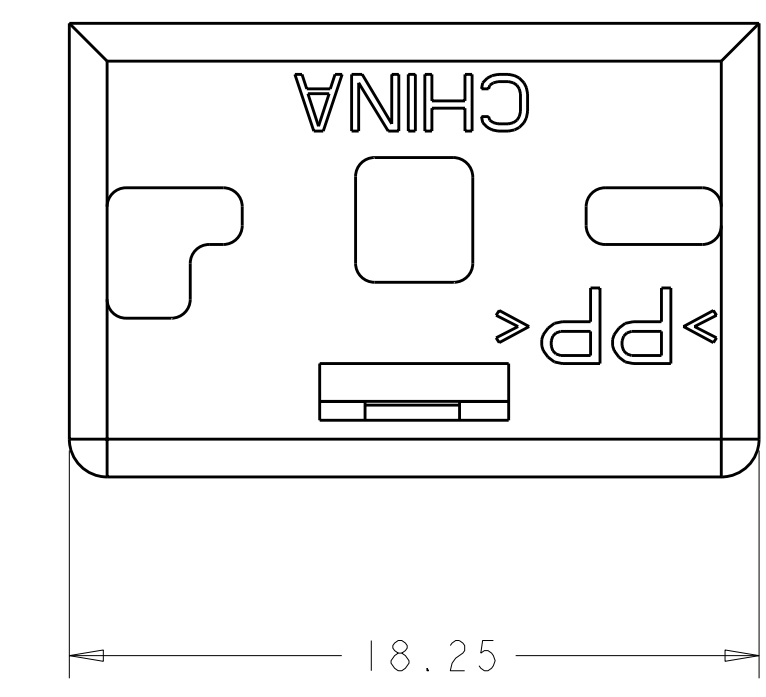
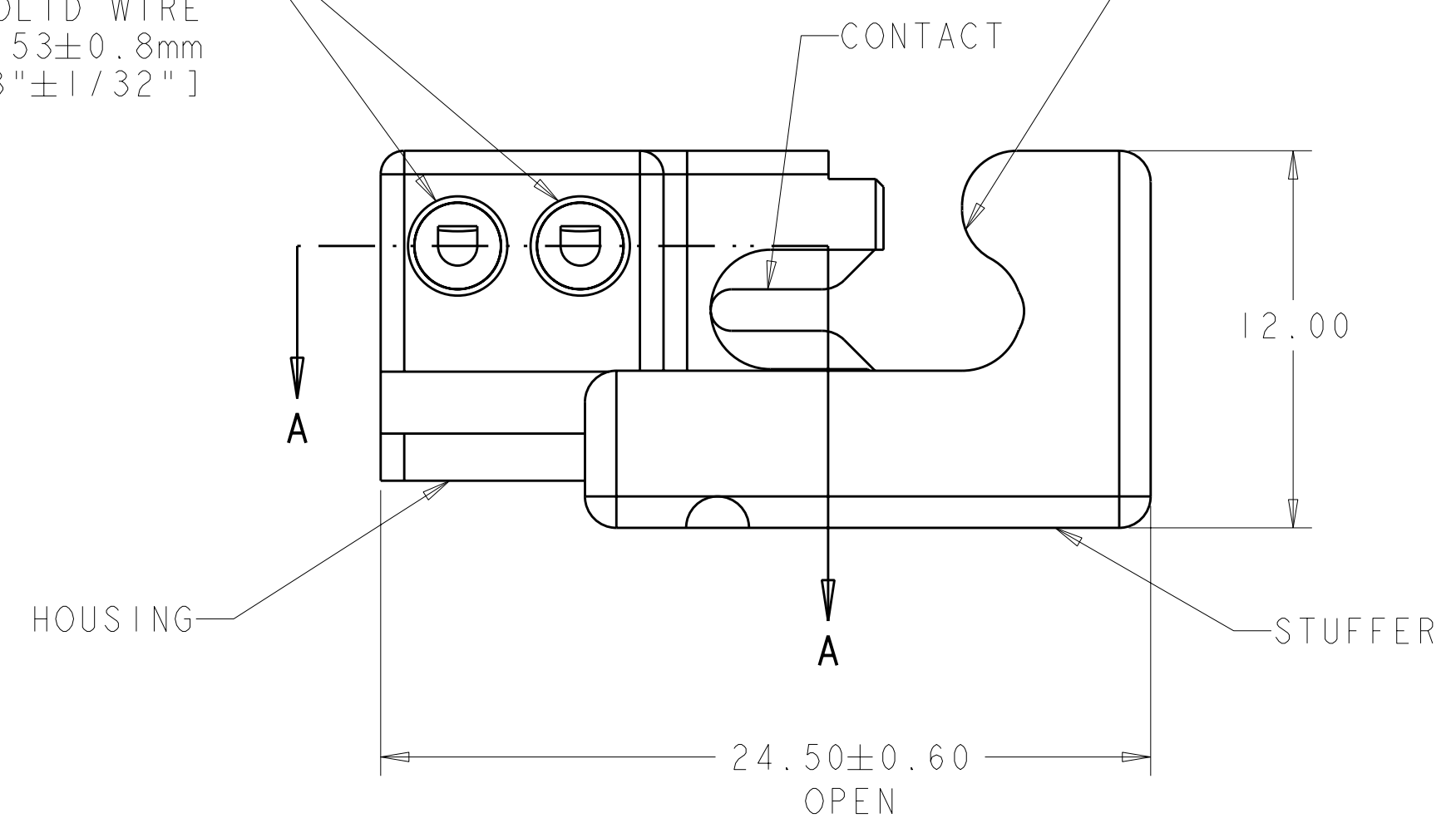
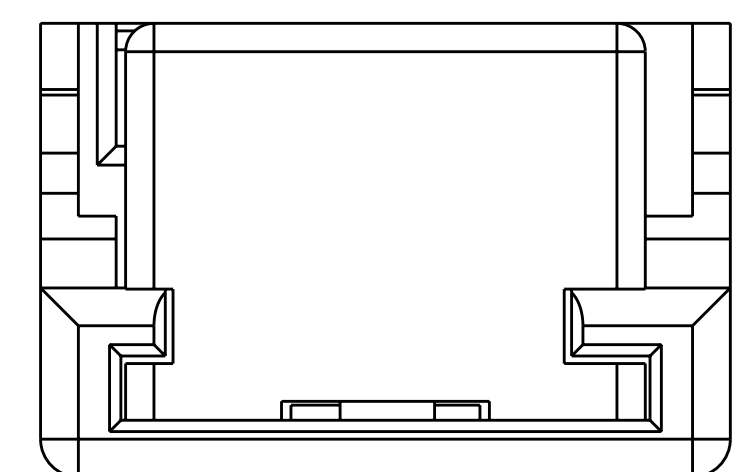
LOC	DIST	REV	DESCRIPTION	DATE	DWN	APVD
-	-	B1	REVISED PER ECO-11-005027	17MAR2011	RK	HMR



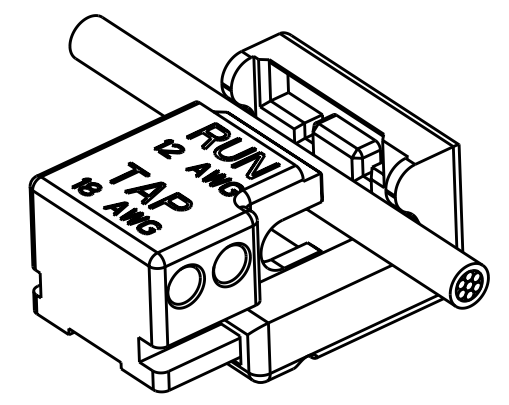
SECTION A-A

POKE-IN CAVITIES ACCEPTS 18 AWG PRE-STRIPPED SOLID WIRE  
STRIP LENGTHS: 9.53±0.8mm [3/8"±1/32"]

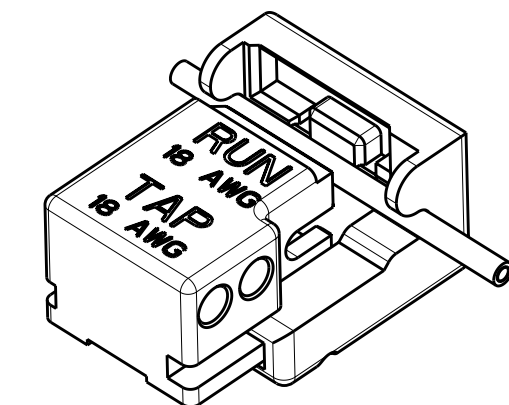
IDC AREA  
1811027-1 ACCEPTS 12 AWG SOLID OR STRANDED (19 STRANDS MAX), THHN WIRE  
1811027-2 ACCEPTS 18 AWG SOLID TFN/TEWN WIRE  
CONTINUOUS (FEEDTHRU) WIRE



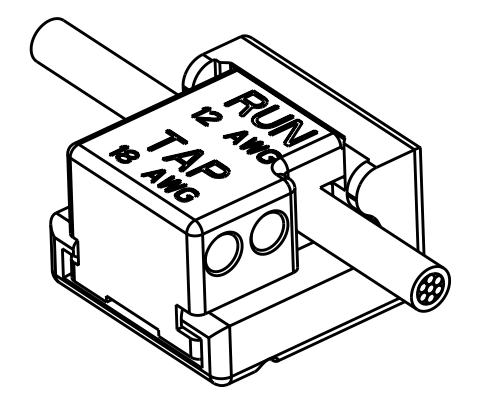
TERMINATED DETAIL



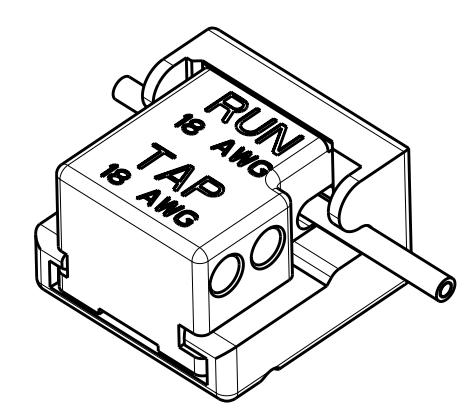
SCALE 2:1



SCALE 2:1



SCALE 2:1



SCALE 2:1

1811027-1

1811027-2

- △ MATERIAL:  
HOUSING: THERMOPLASTIC, COLOR: SEE TABLE  
STUFFER: THERMOPLASTIC, COLOR: SEE TABLE  
CONTACT: COPPER ALLOY, 0.50 THICK
- △ FINISH:  
CONTACT: TIN PLATE
- 3. PRODUCT SPECIFICATION: 108-2219  
APPLICATION SPECIFICATION: 114-13151
- △ THE LOGO MAY BE JUST "TYCO" UNTIL COMPONENTS ARE CONVERTED.

BLUE	18 AWG	1811027-2
BROWN	12 AWG	1811027-1
CONNECTOR COLOR	FEED THRU WIRE SIZE	PART NUMBER

THIS DRAWING IS A CONTROLLED DOCUMENT.		DWN: D. FABIAN 28-Oct-04	TE Connectivity	
DIMENSIONS: mm		CHK: J. ALLISON 16-Nov-07	NAME: ASSEMBLY, WIRE SPLICE IDC / POKE-IN	
TOLERANCES UNLESS OTHERWISE SPECIFIED:		APVD: J. ALLISON 16-Nov-07	PRODUCT SPEC: 108-2219	
0 PLC ±		APPLICATION SPEC: 114-13151		
1 PLC ±0.13		SIZE: A100779C=1811027		
2 PLC ±0.013		RESTRICTED TO:		
3 PLC ±		WEIGHT: -		
4 PLC ±		SCALE: 5:1 SHEET 1 OF 1 REV: B1		
ANGLES ±#1		CUSTOMER DRAWING		